

Front Loader Washer Dryer

WDM-3814



Online Warranty Registration



Please read these instructions and warranty information carefully before use and keep them handy for future reference.

USER MANUAL

Table of Contents

Warnings & Safety Precautions	03
Product Structure	07
Installation Instructions	08
Operation Instructions	14
Cleaning & Maintenance	21
Troubleshooting	24
Technical Specification	25
Warranty Terms & Conditions	47

Warnings & Safety Precautions

WARNING!

Read all instructions carefully before using this product.

- This product is for domestic indoor use only. If this product is used for any commercial, industrial, rental or other purposes, product warranty will be VOIDED.
- This product is not intended for use by children or persons with reduced physical, sensory or mental capabilities, or lack of experience and knowledge, unless they have been given supervision or instruction concerning use of this product by an adult responsible for their safety.
- Mind your children and DO NOT let children play with this product.
- Cleaning and user maintenance shall not be made by children without supervision.
- Check the voltage indicated on the rating label before using this product.
- If the supply cord is damaged, it must be replaced by the manufacturer, its service agent or similarly qualified persons in order to avoid hazards.
- Unplug this product from the power source before cleaning and maintenance.
- Contact German Pool authorized service technician for repair or maintenance of this product.

Please read the following safety information thoroughly and follow it strictly to minimize the risk of fire or explosion, electric shock and to prevent property damage, personal injury or loss of life. Failing to follow these instructions shall void any warranty.

Electric Shock Hazard

1. If the supply cord is damaged, it must be replaced by the manufacturer, its service agent or similarly qualified persons in order to avoid a hazard.
2. If this product is damaged, it must not be operated unless repaired by the manufacturer, its service agent or similarly qualified persons. Risk of electric shock!
3. This product can be used by children aged from 8 years and above and persons with reduced physical, sensory or mental capabilities or lack of experience and knowledge if they have been given supervision or instruction concerning use of the appliance in a safe way and understand the hazards involved. Children shall not play with this product. Cleaning and user maintenance shall not be made by children without supervision.
4. Children should be supervised that they do not play with this product.
5. Children 3 years and under shall be kept away from this product or continuously supervised.
6. Animals and children may climb into this product. Check this product before every operation.
7. DO NOT climb or sit on this product.

Installation Location and Surrounding

1. All washing and additional substances are to be kept in a safe place out of the reach of children.
2. DO NOT install this product on a carpet floor. The obstruction of the openings by a carpet can damage this product.
3. Keep this product clear from heating sources and direct sunlight to avoid plastic and rubber parts corroding.
4. DO NOT use this product in humid environments or rooms containing explosive or caustic gas. In case of water leakage or water splashes, let this product dry in the open air.
5. This product must not be installed behind a lockable door, a sliding door or a door with a hinge on the opposite side to that of the washer dryer.

Warnings & Safety Precautions

6. DO NOT operate this product in rooms with a temperature below 5 °C. This can cause damages to parts of it. If it is unavoidable, make sure to drain the water completely from this product after every use to avoid damages caused by frost.
7. Never use flammable sprays or substances in the immediate proximity of this product.

Installation

1. Remove all packaging material and transport bolts before using this product. Otherwise, serious damage may result.
2. This product is equipped with a single inlet valve and can be connected to the cold water supply only.
3. Mains plug must be accessible after installation.
4. Before washing clothes for the first time, this product shall be operated once throughout all the procedures without any clothes inside.
5. Before using the washer dryer, the product shall be calibrated.
6. DO NOT put any excessively heavy objects on this product, like water containers or heating devices.
7. The new hose-sets supplied with this product are to be used and that old hose-sets should not be reused.
8. Maximum inlet water pressure 1 MPa. Minimum inlet water pressure 0.05 MPa.

Electrical Connection

1. Make sure the supply cable is not trapped by this product, it can get damaged.
2. Connect this product to a grounded outlet protected by a fuse that complies with regulations. The grounding installation has to be made by a qualified electrician. Ensure that this product is installed in accordance with the local regulations.
3. Water and electrical connections must be carried out by a qualified technician in accordance with the manufacturer's instructions and local safety regulations.

WARNING!

- DO NOT use multiple plugs or extension cords.
- This product must not have an external switching device such as a timer or connected to a circuit that is regularly switched on and off.
- DO NOT pull the plug out of the mains outlet if there is flammable gas around.
- NEVER pull out power plug with wet hands.
- Always pull at the plug, not at the cable.
- Always unplug this product if it is not being used.

Water Connections

1. Check the connections of the water inlet tubes, the water tap and the outlet hose for possible problems due to changes of water pressure. If the connections loosen or leak, close the water tap and get it repaired. DO NOT use this product before the pipes and hoses are installed properly by qualified persons.
2. Glass door may become very hot during the operation. Keep children and pets far away from this product while it is operating.

Warnings & Safety Precautions

3. The water inlet and outlet hoses have to be safely installed and remain undamaged. Otherwise, water leakage can occur.
4. DO NOT remove the drain pump filter while there is still water in this product. Big quantities of water can leak out, and there is a risk of scalding due to hot water.

Operation and Maintenance

WARNING!

- NEVER stop this product before the end of the drying cycle unless all items are quickly removed and spread out so that the heat can dissipate.
 - This product is not to be used if industrial chemicals have been used for cleaning. Risk of explosion.
1. NEVER use any flammable, explosive or toxic solvents. DO NOT use gasoline and alcohol etc. as detergents. Only select detergents that are suitable for machine washing.
 2. Make sure that all pockets are emptied. Sharp and rigid items such as coins, brooches, nails, screws, stones etc. may cause serious damages to this product.
 3. Remove all objects from pockets such as lighters and matches before using this product.
 4. Thoroughly rinse items that have been washed by hand.
 5. DO NOT dry unwashed items in this product.
 6. Items that have been soiled with substances such as cooking oil, acetone, alcohol, petrol, kerosene, spot removers, turpentine, wax and wax removers should be washed in hot with an extra amount of detergent before being dried in this product.
 7. Items containing foam rubber (latex foam), shower caps, water-proof textiles, rubber-backed articles and clothes or pillows fitted with foam rubber pads should not be dried in this product.
 8. Fabric softeners or similar products should be used as recommended in their instructions.
 9. NEVER try to open the door forcefully. The door will unlock shortly after the end of a cycle.
 10. DO NOT close the door with excessive force. If it is found difficult to close the door, please check if the clothes are properly inserted and distributed.
 11. Always unplug this product and close the water tap before cleaning and maintenance and after each use.
 12. NEVER pour water over this product for cleaning purpose. Risk of electric shock!
 13. Repairs shall only be carried out by the manufacturer, its service agent or similarly qualified persons in order to avoid a hazard. The manufacturer will not be responsible for damages caused by the intervention of not authorized persons.

Transport

- Before transporting this product, bolts shall be reinstalled to this product by a specialized person. Accumulated water shall be drained out of this product.
- This product is heavy. Transport with care. Never hold any protruding part of this product when lifting. The product door cannot be used as a handle.

Warnings & Safety Precautions

Intended Use

- This product is intended only for home use and for textiles in household amounts suitable for machine washing and drying.
- This product is for indoor use.
- Only use according to these instructions. This product is not intended for commercial use.
- Any other use is considered as improper use. The manufacturer is not responsible for any damage or injuries that may result of it.
- This product is intended to be used in household and similar applications such as: staff kitchen areas in shops, offices and other working environments; farm houses; by clients in hotels, motels and other residential type environments; bed and breakfast type environments; areas for communal use in blocks of flats or in launderettes.

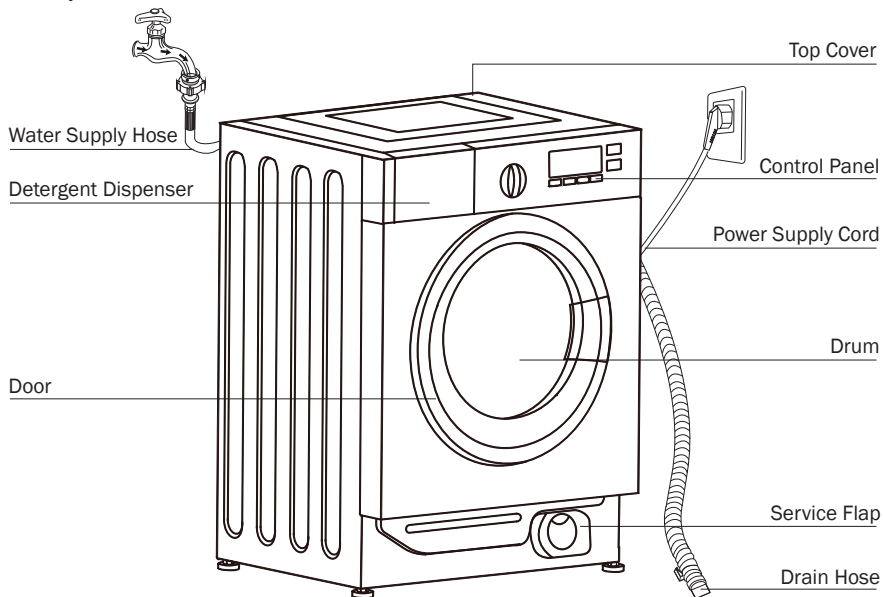
Packaging / Old Appliance



This marking indicates that this product should not be disposed with other household wastes. To prevent possible harm to the environment or human health from uncontrolled waste disposal, recycle it responsibly to promote the sustainable reuse of material resources. To return your used device, please use the collection systems or contact the retailer where the product was purchased. They return and can take this product for environmental safe recycling.

Product Structure

Main Body



Accessories



Cover Cap x 4 Cold Water Supply Hose x 1

Installation Instructions

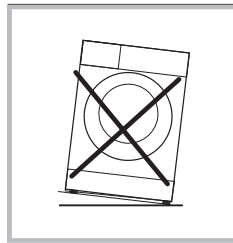
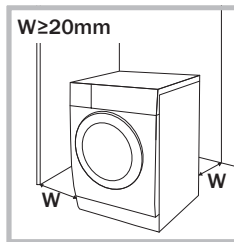
Installation Location

⚠ WARNING!

- Stability is important to prevent the product from wandering! Make sure this product is standing leveled and stable.
- Make sure this product does not stand on the power cord.
- Make sure this product is placed at least 20mm from the wall.

Before installing this product, make sure the installation location fits the following criteria:

- Rigid, dry and level surface
- Avoid direct sunlight
- Sufficient ventilation
- Room temperature is always maintained above 0°C
- Keep far away from heat sources such as coal or gas-burning appliances

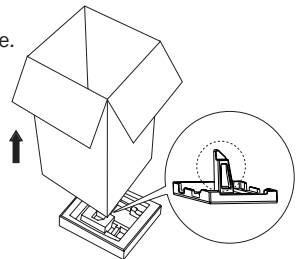


Unpack The Product

⚠ WARNING!

- Packaging material (eg. films, polystyrene) can be dangerous for children.
- There is a risk of suffocation! Keep all packaging well away from children.

1. Remove the cardboard box and polystyrene packing.
2. Lift the product and remove the base packaging. Make sure the small triangle foam is removed together with the bottom packaging. If not, lay the product down on the side surface and remove it manually.
3. Remove the tape securing the power supply cord and drain hose.
4. Remove the inlet hose from the drum.



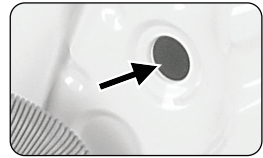
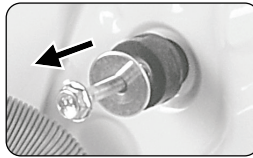
Installation Instructions

Remove Transport Bolts

⚠ WARNING!

Remove the transport bolts from the backside before using this product.

1. Loosen the 4 transport bolts with a spanner.
2. Remove the bolts (including the rubber parts) and keep them for future use.
3. Close the holes with the cover caps.

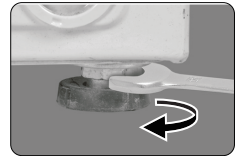


Level The Product

⚠ WARNING!

The lock nuts on all four feet must be screwed tightly against the housing.

1. Loosen the lock nut.
2. Turn the foot until it reaches the floor.
3. Adjust the legs and lock the nuts with a spanner. Make sure this product is level and steady.

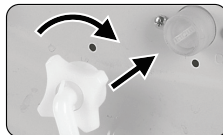


Connect The Water Supply Hose

⚠ WARNING!

- To prevent leakage or water damage, follow the instructions below when connecting the water supply hose.
- DO NOT kink, crush or modify the water supply hose.

1. Connect the water supply hose to the water inlet valve and a cold water tap as indicated.
2. Connect manually, DO NOT use tools.
3. After connecting, check if the connections are tight.



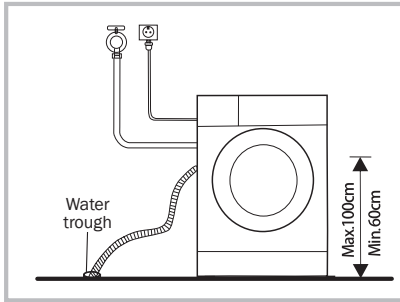
Installation Instructions

Connect The Drain Hose

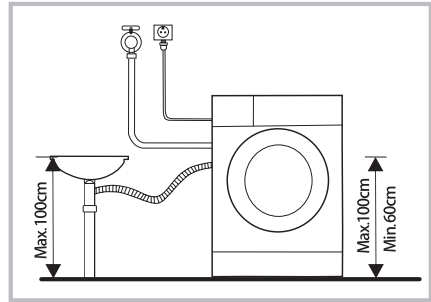
⚠ WARNING!

- DO NOT kink or protract the drain hose.
- Position drain hose properly, otherwise damage may result in water leakage.

There are two ways to place the end of the drain hose:




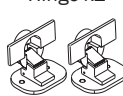
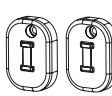
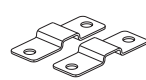

Method 1: Insert the hose into the water trough



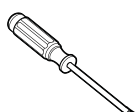


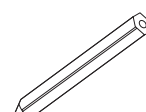
Method 2: Connect it to the branch drain pipe of the trough

Built-In Installation Method

Installation Accessories

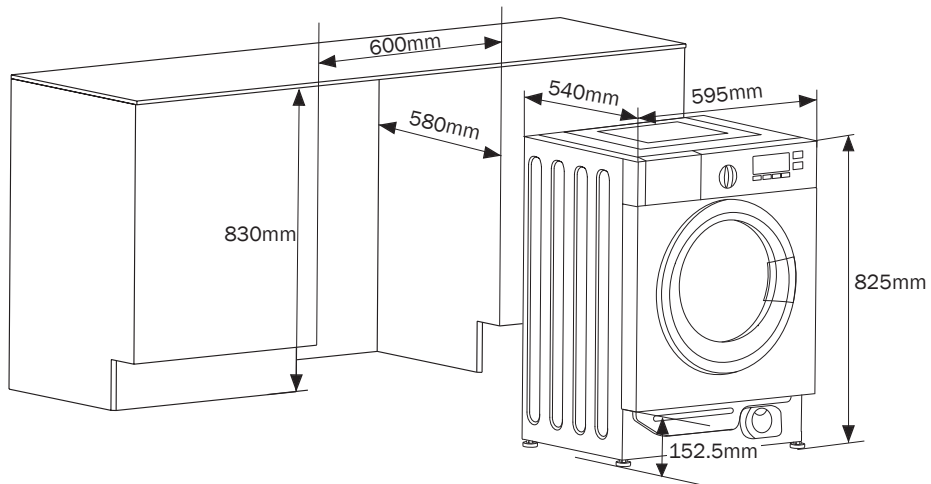
Self-tapping Screws 			Hinge x2 	
Counter Magnet x2 		Spacer x2 		Paper Template x1 

Installation Tools

Screwdriver 	Automatic Driver 	Ruler 	Pencil 
--	---	--	---

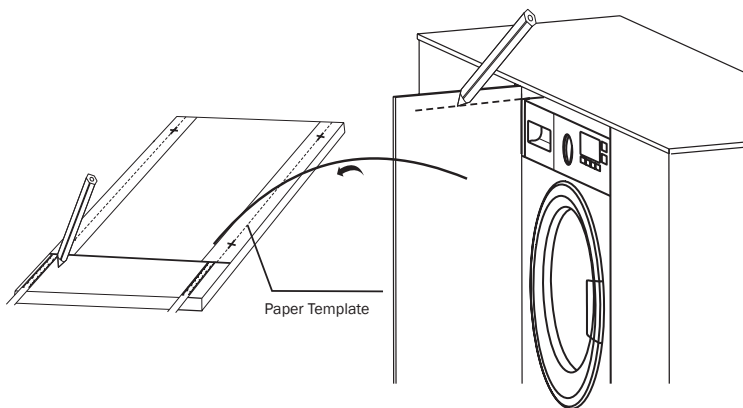
Installation Instructions

Installation Dimensions



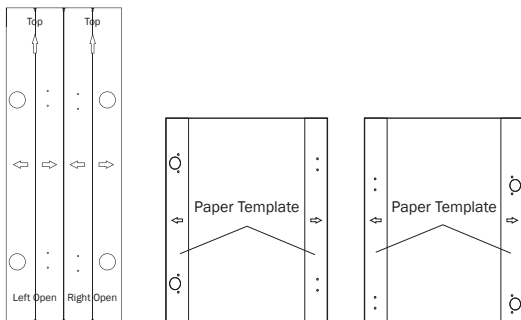
Installation Steps

1. Mark the top of the product on the door.

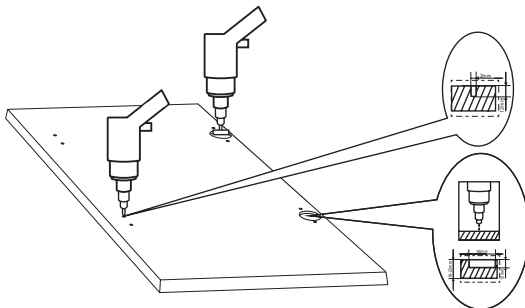


Installation Instructions

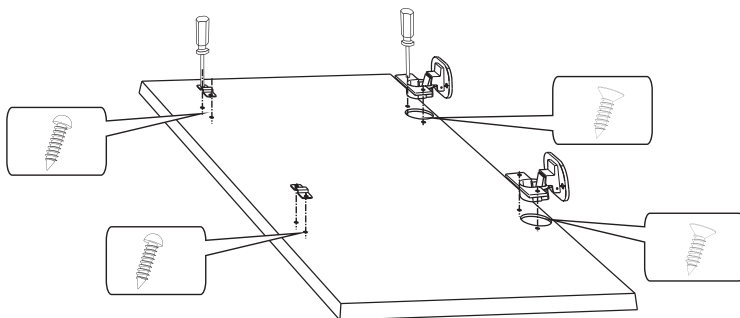
2. Fix the template on the door.



3. Drill holes on the door.

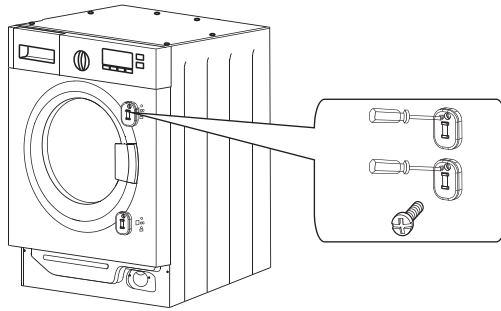


4. Install the hinges and spacers onto the door.

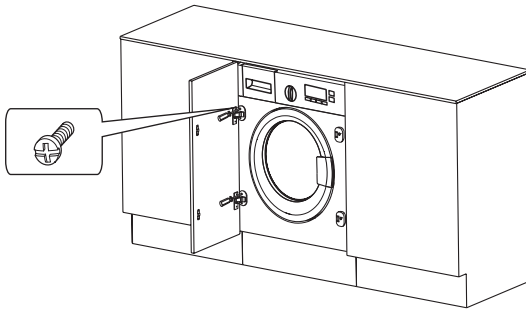


Installation Instructions

5. Install the counter magnets onto the product housing.



6. Install the cabinet door.



⚠ WARNING!

When installing this product in the kitchen, make sure the hoses are placed in either of the two recesses on the back of this product. This will prevent the hoses from becoming kinked or trapped.

Operation Instructions

Note:

- Before using this product, make sure it has been properly installed.
- This product has been thoroughly checked before leaving the factory. To remove any residual water and to neutralize potential odors, it is recommended to clean this product before initial use. For this reason, start the Cotton program at 90 °C without laundry and detergent.
- This product is able to detect the amount of laundry loaded. Calibration function optimizes the product performance by minimizing energy and water consumption, saving you money and time. For this reason, it's recommended to calibrate this product for best use:
 1. Remove all accessories from the drum and close the door.
 2. Insert the mains plug into the socket.
 3. Switch on the product and press Spin Speed button and Delay Start button simultaneously for 10 seconds until "t19" is displayed.
 4. Press Start/Pause button to start the product and wait till "*****" is displayed.

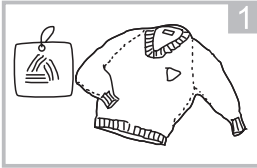
Quick User Guide

1. Connect power, open the water tap.
2. Place in dirty laundry, close door.
3. Add detergent into the detergent dispenser.
4. Press On/Off button to turn on the product. Turn the turn knob to select program.
5. If necessary, calibrate your laundry load, then press Start/Pause button to activate the washing program.
6. After washing is completed, buzzer will beep and display panel will show "End".

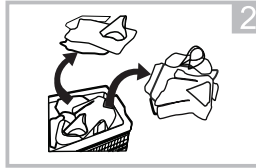
Before Each Washing

- The ambient temperature of this product should be 5-40 °C. If used below 0 °C, the inlet valve and draining system may be damaged. If this product is installed under freezing conditions, it should be transferred to normal ambient temperature to ensure the water supply hose and drain hose can unfreeze before use.
- Please check your laundry care labels and detergent use instructions before wash. Use non-foaming or less-foaming detergent suitable for machine washing.
- DO NOT wash or dry articles that have been cleaned in, washed in, soaked in, or dabbed with combustible or explosive substances like wax, oil, paint, gasoline, alcohol, kerosene, and other flammable materials.
- Washing single clothing items may easily create big eccentricity and cause alarm due to imbalance. Therefore it is recommended to add one or two more laundry items to the wash so that spin can be done smoothly.

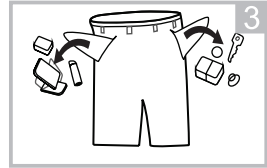
Operation Instructions



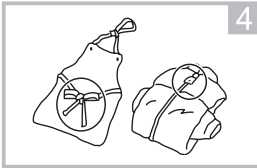
1 Check the care label



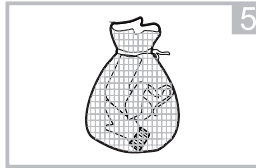
2 Sort laundry according to color and textile type



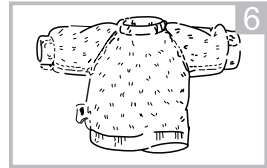
3 Empty all items out of the pockets



4 Tie together long textile strips and belts, close zips and buttons



5 Put small items into laundry bags

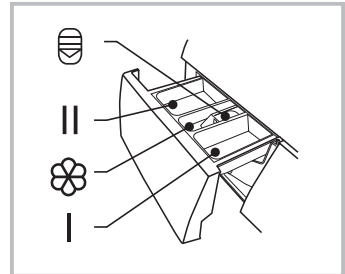


6 Turn easy-pilling and long-pile fabrics inside out

Detergent Dispenser

The laundry dispenser is divided into three compartments:

Icon	Description
I	Pre-wash detergent or washing powder (if needed)
II	Main wash detergent, softener, pre-dip, bleach or decontamination products
☼	Special additives, such as fibre softeners or tackifier (if needed)
☼	Release button to pull out the dispenser



Note:

If using Pre-Wash function, pre-wash detergent must be added into compartment I of the laundry dispenser.

Programme	I	II	☼	Programme	I	II	☼
Cotton	●	○	○	Dry Only			
One Hour W/D	●	○	○	Spin			
Jeans	●	○	○	Quick	●	○	○
Mixed	●	○	○	Sportswear	●	○	○
Wool	●	○	○	Baby Care	●	○	○
Rinse & Spin			○	Wash & Dry	●	○	○
Eco 40-60 °C	●	○	○	Cotton-Eco	●	○	○
20 °C	●	○	○				

Operation Instructions

Detergent Recommendation

Recommended Washing Detergent	Wash Cycles	Washing Temperatures	Type of Laundry and Textile
Heavy-duty detergent with bleaching agents and optical brighteners	Cotton-Eco / Eco 40-60 °C / Cotton	40 °C / 60 °C	White laundry made of boil-proof or linen
Color detergent without bleaching agent and optical brighteners	Cotton / Cotton-Eco / Eco 40-60 °C / Mixed / 20 °C	20 °C / 30 °C / 40 °C	Colored laundry made of cotton or linen
Color or mild detergent without optical brighteners	20 °C	Cold / 20 °C	Colored laundry made of easy care fibres or synthetic materials
Mild washing detergent	20 °C	Cold / 20 °C	Delicate textiles, silk, viscose
Special wool detergent	Wool	20 °C / 30 °C / 40 °C	Wool

Note:

This table is only for user reference only. Please adjust according to your actual need and preference.

- Agglomerating or ropy detergent or additive can be diluted with water before pouring into the detergent dispenser, to avoid blocking its inlet and causing water overflow.
- Please choose the suitable type of detergent to maximize washing performance and minimize water usage and energy consumption.
- To achieve the best cleaning result, proper detergent dosing is important.
- Reduce the detergent amount if the drum is not filled completely.
- Always adjust the amount of detergent to the water hardness. If your tap water is soft, use less detergent.
- Dose according to how dirty your laundry is, less dirty clothes require less detergent.
- Highly concentrated (compact detergent) requires particularly accurate dosing.

Signs of detergent overdosing:

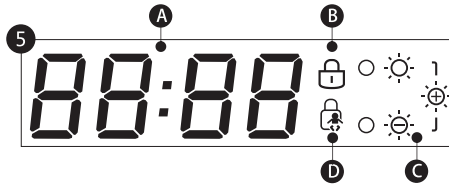
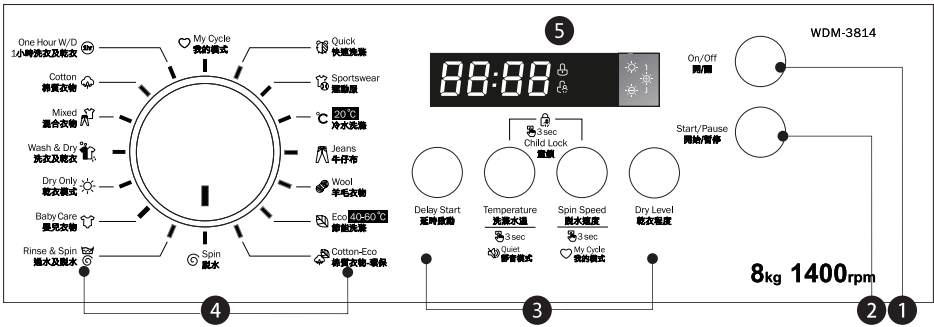
- heavy foam formation
- poor washing and rinsing result

Signs of detergent underdosing:

- laundry turns grey
- built-up of limescale deposits on the drum, heating element and/or the laundry

Operation Instructions

Control Panel



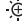

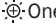


Item	Description		Item	Description	
1	On/Off Button	Turn the product on or off	A	Digital Display	Shows washing time, delay start time, spin speed, error code, etc.
2	Start/Pause Button	Start or pause program	B	Door Lock Indicator Light	This light lights up constant when the door is locked
3	Option Buttons	Select additional functions: Delay Start, Temperature, Spin Speed, Dry Level	C	Dry Level Indicator Light	☀️:Extra ☀️:Normal ☀️:Gentle
4	Program Turn Knob	Turn the knob to select washing program	D	Child Lock	This light lights up constant when Child Lock is activated
5	Display Panel	Shows settings, estimated remaining time, options and status messages			

Operation Instructions


Programs

Select among the following programs according to your laundry type:

Program	Washing/ Drying Load	Default Temperature	Default Time	Default Spin Speed(RPM)	Recommended Use
My Cycle	/	/	/	/	Memorizes frequently used programs. For details, see "My Cycle" section
Quick	2 kg	Cold	0:15	800	Extra short program suitable for small load of lightly soiled laundry
Sportswear	4 kg	40 °C	1:11	800	For washing activewear
20 °C	4 kg	20 °C	1:01	1000	Default 20 °C, can choose cold water
Jeans	8 kg	60 °C	1:45	1000	For washing jeans
Wool	2 kg	40 °C	1:07	600	For washing machine-washable wool or richwool textiles; especially gentle wash program to prevent shrinkage, longer program pauses to allow textiles to soak in wash liquid
Eco 40-60 °C	8 kg	/	3:35	1400	For washing colored clothes, can protect colors better; default 40 °C, not adjustable
Cotton-Eco	8 kg	40 °C	3:48	800	To increase the washing effects, and washing time is also longer
Spin	8 kg	/	0:12	1000	Extra spin with selectable spin speed
Rinse & Spin	8 kg	/	0:20	1000	Extra rinse with spin
Baby Care	8 kg	60 °C	1:43	800	For washing baby clothes, makes them cleaner; rinses better to protect baby skin
 Dry Only	6 kg	/	4:14	1400	Select different temperature and drying time according to load
 Wash & Dry	6 kg	/	5:00	1400	Standard energy program
 Mixed	8 kg / 6 kg	40 °C	1:20	800	Mixed load consisting of cottons and synthetics
 Cotton	8 kg / 6 kg	40 °C	3:49	1400	Suitable for washing textiles made of cotton or linen
 One Hour W/D	1 kg/ 1 kg	Cold	0:58	1400	For wash+dry of small load of synthetic clothes or shirts

Operation Instructions

Note:

- The Programs table is for reference only, and the data may change with different actual use conditions.
- Dry function can be chosen for programs with .
- One Hour W/D program is not suitable for washing big towels or jeans, they will lengthen the time duration and they will not dry sufficiently.
- If there is any break in the power supply while the product is operating, special memory stores the selected program. The product will continue the program when the power supply is re-established.

Delay Washing (On-Timer)

1. Press On/Off button to turn on the product, then turn the turn knob to select program.
2. Press Delay Start button to choose turn-on time; display shows 0H-24H indicating 0-24 hours.
3. Press Start/Pause button to confirm. Product starts countdown timer. When countdown reaches zero, the product automatically starts the selected program.

Note:

To cancel Delay function, press Delay button repeatedly until display shows "OH".

Spin Speed




Press Spin Speed button to adjust the spinning speed of the drum. Press Spin Speed button repeatedly to cycle among: 1400/0/400/600/800/1000/1200/1400 rpm.

Temperature

Press Temperature button to adjust the water temperature. Press Temperature button repeatedly to cycle among: cold/20°C/30°C/40°C/60°C/90°C.

Dry Level

Press Dry Level button to adjust the dry level. Press Dry Level button repeatedly to cycle among: Extra Dry/Normal Dry/Gentle Dry.

Level	Description
 Extra Dry	For clothes you need to wear immediately
 Normal Dry	Normal dry procedure
 Gentle Dry	For clothes that you only want to dry slightly

Operation Instructions

Note:

- Clothes can be dried after spinning.
- To ensure textiles can maintain their quality, please classify them according to their kinds and drying temperature.
- Synthetics should be set the proper drying time.
- If user wishes to iron the clothes after drying, please set them aside for a while before ironing.
- Clothes not suitable for drying include: particularly delicate items such as synthetic curtains, wool, silk, clothes with metal inserts, nylon stockings, bulky clothes such as anoraks, bedcovers, quilts, sleeping bags and duvets.
- DO NOT machine-dry clothes padded with foam-rubber or materials similar to foam-rubber.
- DO NOT machine-dry fabrics containing residues of setting lotions, hair sprays, nail solvents or similar solutions in order to avoid the formation of harmful vapors.

Child Lock

Long-press Temperature button and Spin Speed button simultaneously for 3 seconds to activate Child Lock, all buttons except On/Off button become inoperable; to deactivate Child Lock, long-press Temperature button and Spin Speed button simultaneously for 3 seconds again.

Buzzer

Long-press Temperature button for 3 seconds to mute the buzzer; to unmute the buzzer, long-press Temperature button for 3 seconds again.

My Cycle

Set the product to memorize your frequently used programs and settings. Long-press Spin Speed button for 3 seconds to start saving the running program. If user does not set any memory, when the turn knob is turned to My Cycle, the product will run Cotton program by default.

Cleaning & Maintenance

WARNING!

Unplug the product from the power source and turn off the water tap before cleaning and maintenance.

Cleaning The Exterior

- Proper maintenance of this product can extend its service life.
- If necessary, the exterior can be cleaned with diluted non-abrasive neutral detergents.
- If there is any water overflow, wipe it off with a cloth immediately.
- DO NOT use sharp items to clean this product.

WARNING!

DO NOT use abrasive or caustic agents, formic acids or its diluted solvents or similar substances like alcohol or chemical products to clean this product.

Cleaning The Drum

Rust stains inside the drum left by metal articles must be removed immediately using chlorine-free detergents. DO NOT use steel wool to clean the drum.

Note:

Remove all laundry from the drum before cleaning.

Cleaning The Door Seal and Glass

- After each wash, wipe the glass and seal to remove lint and stains. Lint buildup can cause leakages.
- After each wash, remove any coins, buttons and other objects from the seal.
- Clean the door seal and glass every month to ensure the normal operation of this product.

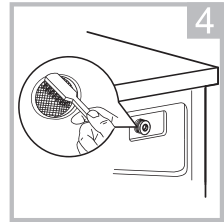
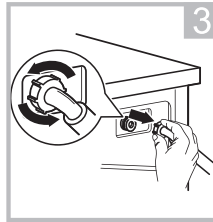
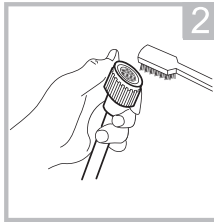
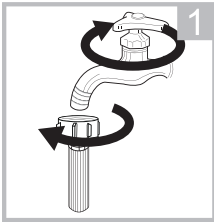
Cleaning & Maintenance

Cleaning The Inlet Filter

Note:

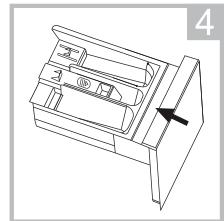
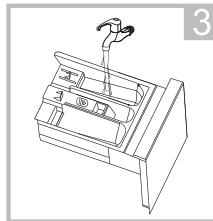
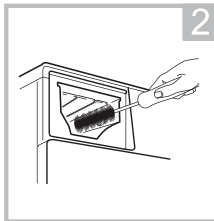
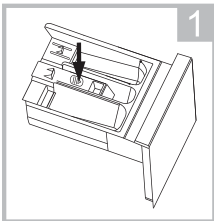
- Diminishing water flow is a sign that the inlet filter needs to be cleaned.
- It is recommended that the inlet filter be cleaned once every 3 months to ensure normal operation of this product.

1. Close the water tap and detach the water supply hose from it.
2. Clean the filter with a brush.
3. Unscrew the water supply hose from the backside of this product (the water inlet). Pull out the filter with long nose pliers. Clean the water inlet filter with a brush.
4. Reinstall the filter to the water inlet, then reconnect the water supply hose.



Cleaning The Detergent Dispenser

1. Press down the release button on the softener cover, then pull the dispenser drawer out of the recess.
2. Clean the inside of the recess with a brush.
3. Lift the softener cover off the dispenser drawer and wash both items with water.
4. Restore the softener cover and push the drawer back into the recess.



⚠ WARNING!

1. DO NOT use abrasive or caustic agents to clean plastic parts.
2. It is recommended to clean the detergent dispenser once every 3 months to ensure normal operation of this product.

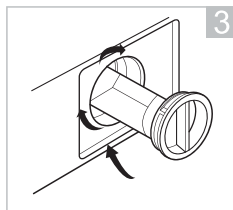
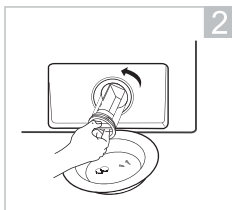
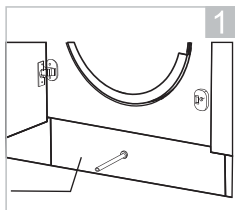
Cleaning & Maintenance

Cleaning The Drain Pump Filter

⚠ WARNING!

- Unplug this product from the power source before cleaning to avoid electric shock.
- Be careful of hot water spilling out.
- Allow the detergent solution to cool down before cleaning.
- It is recommended to clean the drain pump filter once every 3 months to ensure normal operation of this product.

Drain pump filter can filter the yarns and small foreign matters from the washing. After disconnecting the power, pull out the Dam-board. Take out the filter and remove sundries matters. After cleaning, reinstall each part in their respective order.



Note:

Make sure drain pump filter and cap are reinstalled properly, otherwise water may leak.

Transport

1. Unplug this product and close the water inlet tap.
2. Make sure the door and the detergent dispenser are closed properly.
3. Remove the water supply hose and the drain hose from the main unit.
4. Let the water drain out completely from this product.
5. Reinstall the 4 transport bolts onto the backside of this product.
6. This product is heavy. Transport with care. Never hold any protruding part of this product when lifting. DO NOT use the product door as a handle.

Troubleshooting

Should a problem occur with this product, check if you can solve it following the table below. If problem persists, please contact German Pool Customer Service & Repair Centre. DO NOT disassemble or repair this product yourself.

Problem	Possible Cause	Solution
The product does not start	<ul style="list-style-type: none"> Door not closed properly Clothes are stuck 	Check the clothes, close door properly and restart
Door cannot open	Safety protection activated	Disconnect power and restart
Water leakage	Pipe connection not tight enough	<ul style="list-style-type: none"> Check and fasten the water supply hose Check and clean the drain hose
Detergent residue in detergent dispenser	Detergent is damp and/or clotted	Clean and wipe dry detergent dispenser
Indicator lights or display does not work	PC board or harness have connection problems	Contact German Pool Customer Service & Repair Centre
Abnormal noise	<ul style="list-style-type: none"> Fixing bolts still in place Floor is not solid or level 	<ul style="list-style-type: none"> Check if the fixing bolts have been removed Make sure the appliance is installed on a solid and level floor
Display shows error code E30	Door not properly closed	Close the door properly and restart
Display shows error code E10	Water injection problem during wash cycle	<ul style="list-style-type: none"> Check if water pressure is high enough Straighten the water pipe Clean the inlet valve filter
Display shows error code E21	Overtime water draining	Check the drain hose for blockage
Display shows error code E12	Water overflow	Restart the product
Display shows error code EXX	Others	Restart the product. If problem persists, contact German Pool Customer Service & Repair Centre

WARNING!

Risk of electric shock:

- DO NOT attempt to repair an appliance which is defective or presumed to be defective, in order to avoid hazards. Only authorized specialists are allowed to carry out repair work of this product.
- Improper repair will void the warranty and subsequent damages will not be recognized.

Technical Specification

Model	WDM-3814
Voltage/Frequency	220-240 V~ ,50 Hz
Rated Power	1,900 W
Maximum Washing Capacity	8 kg
Maximum Drying Capacity	6 kg
Standard Water Pressure	0.05-1 MPa
Product Dimensions	(W) 595 x (D) 540 x (H) 825 mm
Net Weight	64 kg

- Specification is subject to change without prior notice.
- If there is any inconsistency or ambiguity between the English version and the Chinese version, the English version shall prevail.
- Refer to www.germanpool.com for the most update version of the user manual.

目錄

警告及注意事項 27

產品結構 30

安裝說明 31

使用說明 37

清潔與保養 43

故障檢修 46

技術規格 46

保用條款 47

警告及注意事項

⚠ 警告！

使用本產品前，請仔細閱讀所有說明。

- 本產品只限家居室內日常使用，如產品作任何商業、工業、出租或其他用途，保用證即告失效。
- 請勿讓兒童或身體有殘障、精神不健全及對本產品缺乏經驗或知識的人士單獨使用本產品；如需使用，必須要在負責任的成年人監管下方可使用。
- 應照顧好兒童，確保他們不會玩耍本產品。
- 無成年人監管下，勿讓兒童清潔及維護本產品。
- 使用前，請先檢查所有電壓是否與本產品標籤上的電壓相符。
- 如果電源線損壞，為免發生意外，電源線必須由廠方、廠方指定的維修中心或同等合格的技術人員進行更換。
- 清潔或檢查本產品前，必須先關機及拔掉插頭。
- 請聯繫德國寶授權的技術人員進行維修或保養本產品。

使用前必須仔細閱讀以下安全信息並嚴格遵守，以盡量減少火災或爆炸、觸電的風險，並防止財產損失、人身傷害或生命損失。不遵守這些說明將使保修失效。

觸電危險

1. 如電源線損壞，必須由製造商、其服務代理或類似合格人員更換，以避免危險。
2. 如本產品損壞，除非由製造商、其服務代理或類似合格人員修理，否則嚴禁運行。觸電危險！
3. 8歲及以上兒童以及身體、感官或精神能力有缺陷或缺乏經驗和知識的人員可以使用本產品，前提是他們接受了有關如何安全使用本產品的監督或指導並了解其中涉及的危險。兒童嚴禁玩耍本產品。兒童嚴禁在無人監督的情況下進行清潔和維護。
4. 必須監督兒童避免他們玩耍本產品。
5. 3歲及以下的兒童必須遠離本產品或持續受到監督。
6. 動物和兒童可能會爬入本產品內，每次使用前必須先檢查清楚。
7. 嚴禁攀爬或坐在本產品上。

安裝位置及周圍環境

1. 所有洗滌物和其他洗滌物質必須存放在兒童接觸不到的安全地方。
2. 嚴禁將本產品安裝在鋪有地毯的地板上，地毯堵塞開口可能會損壞本產品。
3. 必須保持本產品遠離熱源和陽光直射，以避免塑料和橡膠部件腐蝕。
4. 嚴禁在潮濕環境、含有爆炸性或腐蝕性氣體的房間內使用本產品，如果發生漏水或水濺，請讓本產品自然風乾。
5. 本產品嚴禁安裝在可上鎖的門、滑動門裡，或門的鉸鏈嚴禁面向本產品正前方。
6. 嚴禁在溫度低於5°C的房間內操作本產品，這可能會導致其部件損壞。如果無法避免，必須確保每次使用後將本產品中的水完全排出，以避免霜凍造成的損壞。
7. 嚴禁在本產品附近使用易燃噴霧劑或類似物質。

警告及注意事項

安裝

1. 使用本產品前，請除去所有包裝材料和運輸螺栓，否則可能造成嚴重損壞。
2. 本產品配有單個進水閥，只能連接到冷水源。
3. 安裝後電源插頭必須能夠插拔。
4. 首次洗滌衣物前，應在未放入任何衣物的情況下運行本產品一次，並確保本產品完成整個洗滌程序。
5. 使用本產品前，必須先校準本產品。
6. 嚴禁在本產品上放置任何過重的物體，例如水桶或加熱設備。
7. 必須使用跟機附送的軟管，舊有或其他產品的軟管嚴禁重複使用。
8. 最大進水壓力為每分鐘1MPa；最小進水壓為每分鐘0.05MPa。

電氣連接

1. 必須確保電源線沒有被卡住，避免損壞。
2. 將本產品連接到受保險絲保護的接地插座，保險絲必須符合規格；接地裝置必須由合資格的電工進行，以確保本產品的安裝符合所在地的法規。
3. 水和電氣連接必須由合資格的技術人員按照製造商的說明和所在地的安全法規進行。

⚠ 警告！

- 嚴禁使用多個插頭或延長線。
- 本產品不得有外部開關裝置，包括定時器或連接到定時開關的電路。
- 如周圍有可燃氣體，嚴禁將插頭從電源插座中拔出。
- 嚴禁用濕手拔出電源插頭。
- 必須握住插頭拔出，嚴禁拉扯電線。
- 如不使用本產品，必須拔除電源插頭。

水管連接

1. 檢查進水管、水龍頭和出水軟管的連接是否可能因水壓變化而出現問題。如連接鬆動或洩漏，必須關閉水龍頭並進行修理。在合資格人員正確安裝管道和軟管之前，嚴禁使用本產品。
2. 玻璃門在操作過程中可能會變得非常熱，本產品運行時，兒童和寵物必須遠離本產品。
3. 進水管和出水管必須安全安裝並保持完好無損，否則可能導致漏水。
4. 當排水泵過濾器內仍有水時，嚴禁拆下排水泵過濾器，避免導致大量的水漏出，及被漏出的水燙傷的風險。

使用與維修

⚠ 警告！

- 在烘乾週期結束之前，嚴禁突然停止本產品的運作，除非快速取出所有衣物並將其展開以便消散熱量。
- 如使用工業化學品進行清潔，嚴禁使用本產品，有爆炸危險。

警告及注意事項

1. 嚴禁使用任何易燃、易爆或有毒溶劑。嚴禁使用汽油、酒精等作為清潔劑。必須選擇適合機洗的洗滌劑。
2. 洗衣前確保所有口袋都是空的，尖銳和堅硬的物品如硬幣、胸針、釘子、螺釘、石頭等可能會對本產品造成嚴重損壞。
3. 使用本產品前，必須取出口袋中的所有物品，例如打火機和火柴。
4. 徹底沖洗手洗過的物品。
5. 嚴禁在本產品中烘乾未清洗的物品。
6. 被食用油、丙酮、酒精、汽油、煤油、去污劑、松節油、蠟和除蠟劑等物質弄髒的物品，應使用額外份量的清潔劑進行熱水清洗，然後在本產品中烘乾。
7. 含有泡沫橡膠（乳膠泡沫）、浴帽、防水紡織品、橡膠背襯物品以及裝有泡沫橡膠墊的衣服或枕頭等物品，嚴禁在本產品中烘乾。
8. 必須按照產品說明的建議使用織物柔軟劑或類似產品。
9. 嚴禁嘗試用力開門，清洗週期結束後不久，本產品的門就會自動解鎖。
10. 關門時嚴禁用力過度，如果發現關門困難，請檢查衣服是否正確放入和分佈。
11. 在清潔和維護之前以及每次使用之後，必須拔除本產品的電源插頭並關閉水龍頭。
12. 嚴禁將水倒在本產品上進行清潔，有觸電危險。
13. 本產品的維修只能由製造商、其服務代理或類似合格人員進行，以避免危險。本公司對未經授權人員的干預造成的損失不承擔任何責任。

運送或移動

- 在運送移動本產品前，運輸螺栓必須由專業人員重新安裝到本產品上；積水必須從本產品中排出。
- 本產品很重，小心運輸。提起本產品時嚴禁握住本產品的任何突出部分，機門嚴禁用於充當把手。

使用目的

- 本產品僅供家庭使用以及適合機洗和烘乾的家用紡織品。
- 本產品僅供室內使用。
- 必須按照說明書上的說明使用，本產品嚴禁作商業用途。
- 任何其他使用方法均被視為不當使用。本公司對其可能造成的任何損壞或傷害不承擔任何責任。
- 本產品旨在用於家庭和類似用途，例如：商店、辦公室和其他工作環境中的員工廚房區域；農舍；酒店、汽車旅館和其他住宅類型環境中的客戶；民宿；公寓或自助洗衣店內的公共使用區域。

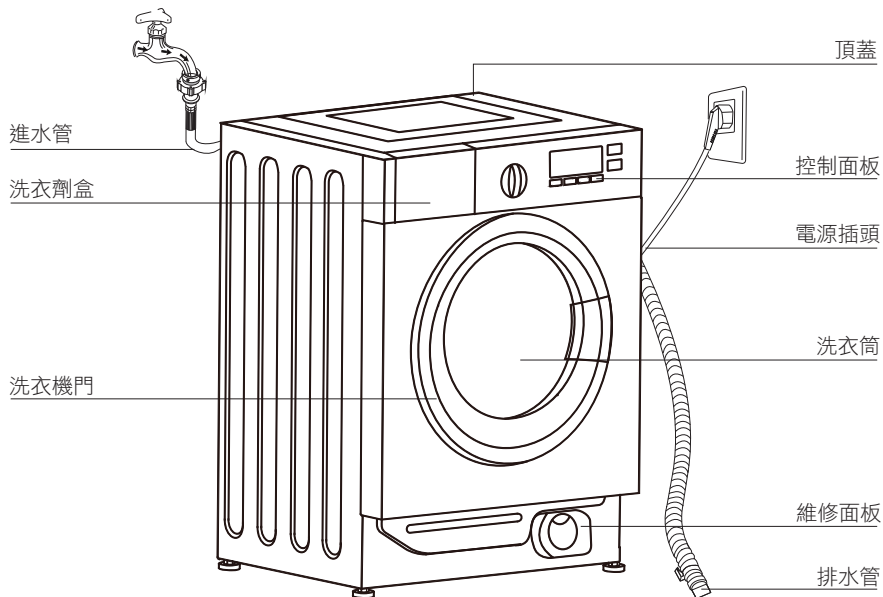
電氣和電子設備的處置



用戶應確保本產品被正確棄置處理，防止造成對健康和環境有害的後果。貼在產品上的標誌和附帶檔表示本產品在使用壽命結束後要送到授權的電子產品回收中心，根據當地法規進行收回，不能像普通生活廢物一樣處理。

產品結構

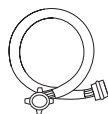
主機



配件



孔蓋 x 4



進水管 x 1

安裝說明

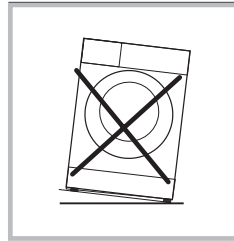
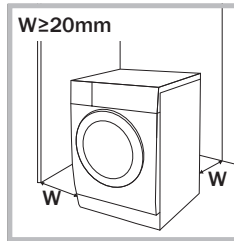
選擇放置地點

⚠ 警告！

- 穩定性對於防止本產品移位非常重要，必須確保本產品保持水平且穩定。
- 確保本產品沒有壓在電源線上。
- 確保本產品與牆壁每邊保持不少20mm的距離。

在安裝本產品之前，必須選擇符合以下條件的位置：

- 堅硬、乾燥、水平的表面
- 無陽光直射
- 通風充足
- 室溫維持在0°C以上
- 遠離燃煤、燃氣等熱源

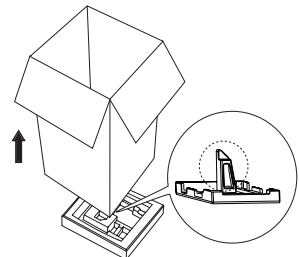


拆除包裝材料

⚠ 警告！

- 包裝材料如薄膜、發泡膠等可能對兒童造成危險。
- 所有包裝必須遠離兒童，避免窒息危險。

1. 取出紙箱和發泡膠包裝。
2. 提起本產品並取出底部包裝。確保小三角發泡膠與底部包裝一起取出，否則必須將本產品平放在側面並手動將其卸下。
3. 撕掉固定電源線和排水管的膠帶。
4. 從滾筒內取出進水管。



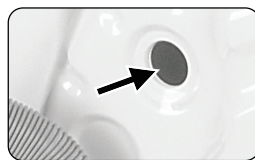
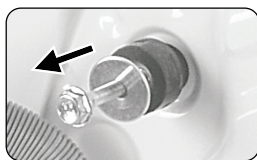
安裝說明

拆除運輸螺栓

⚠ 警告！

使用本產品前，必須從背面拆下運輸螺栓。

1. 用扳手鬆開4個運輸螺栓。
2. 拆下螺栓（包括橡膠部件）並保留以供將來使用。
3. 使用孔蓋封閉孔口。

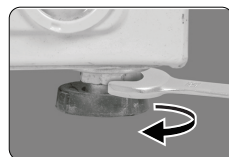


調整支腳

⚠ 警告！

所有四個支腳上的鎖緊螺母必須擰緊到外殼上。

1. 鬆開鎖緊螺母。
2. 轉動支腳直至其接觸地面。
3. 調整支腳並用扳手鎖緊螺母，確保本產品水平且穩定。



連接進水管

⚠ 警告！

- 為防止漏水導致損壞，必須遵循以下說明。
- 嚴禁扭結、擠壓或改裝進水管。

1. 按照指示將進水管連接至進水閥和冷水水龍頭。
2. 使用手動連接，切勿使用其他工具。
3. 連接完成後必須檢查連接是否緊固。



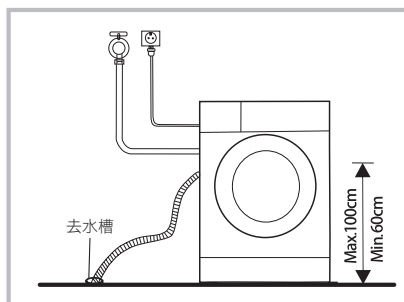
安裝說明

連接排水管

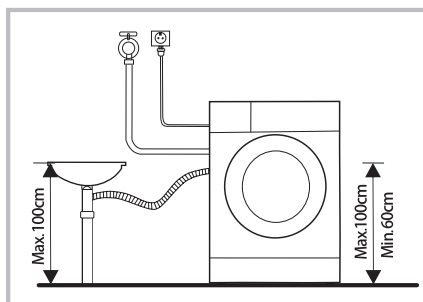
⚠ 警告！

- 嚴禁扭結或拉扯排水管。
- 必須正確放置排水管，否則可能導致損壞或漏水。

有兩種放置排水管末端的方法：




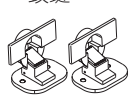

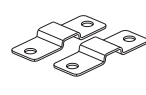

方法1：將排水管放在去水槽中



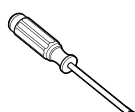


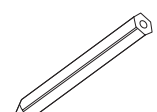
方法2：將排水管連接到鋅盤的排水分支管上

嵌入式安裝方法

安裝配件

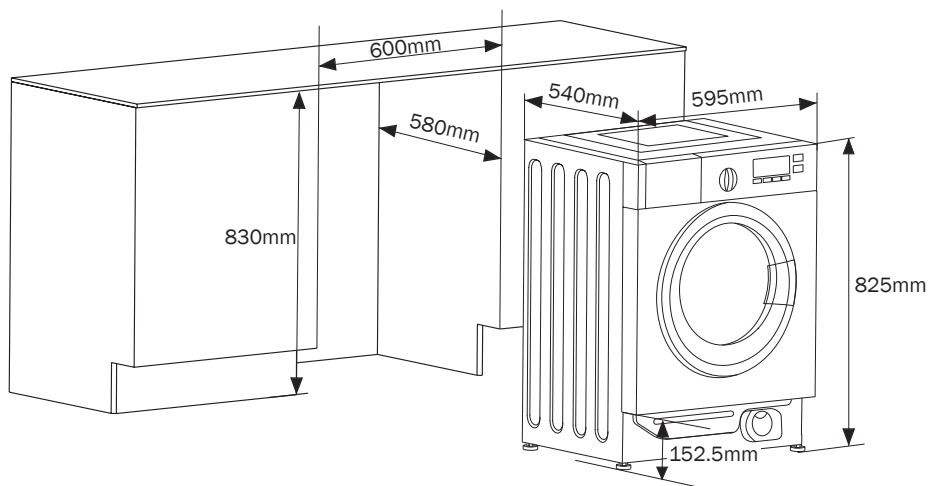
 <p>自攻螺絲</p> <p>ST4*12 x4 M5*12 x6 ST4.8*15 x4</p>		 <p>鉸鏈 x 2</p>
 <p>磁石片 x 2</p>	 <p>墊片 x 2</p>	 <p>固定位置紙板 x 1</p>

安裝工具

 <p>螺絲刀</p>	 <p>電鑽</p>	 <p>間尺</p>	 <p>鉛筆</p>
--	---	---	---

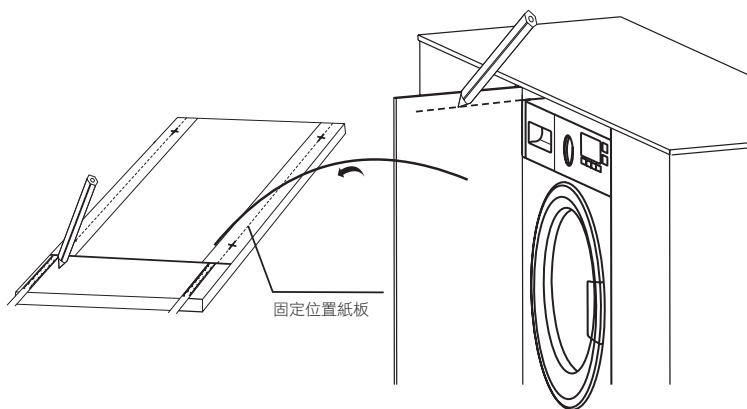
安裝說明

安裝尺寸



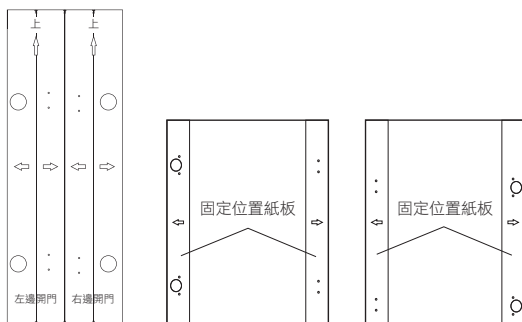
安裝步驟

1. 在櫃門上做記號。

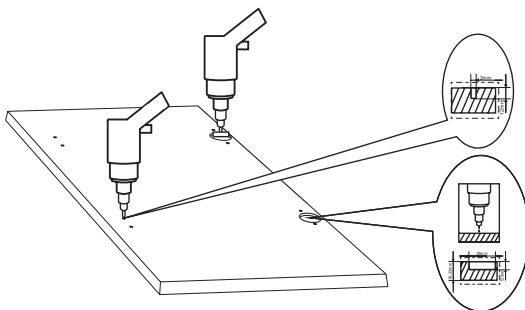


安裝說明

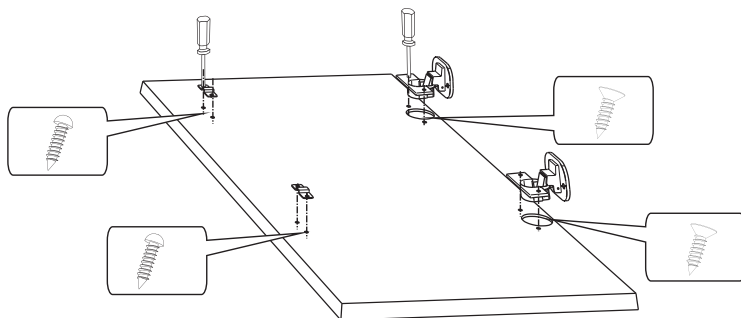
2. 將紙板固定在櫃門上。



3. 在櫃門上鑽孔。

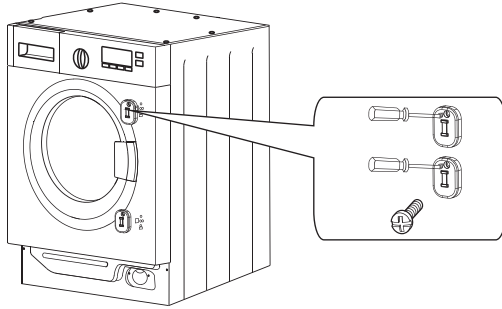


4. 安裝鉸鍊和墊片。

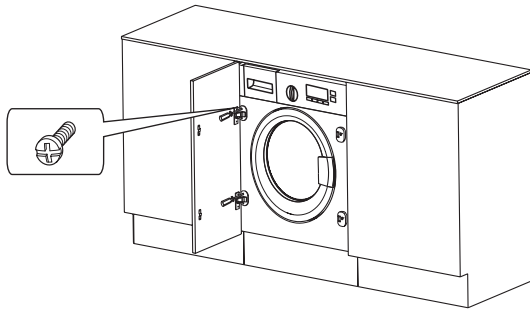


安裝說明

5. 安裝磁石片。



6. 裝上櫃門。



⚠ 警告！

將本產品安裝到廚房時，必須確保將軟管放置在本產品背面的兩個凹槽中的其中一個中，防止軟管扭結或卡住。

使用說明

注意：

- 使用本產品前，必須確保本產品已正確安裝。
- 本產品在出廠前已經過徹底檢查，為了去除殘留的水並消除潛在的異味，建議在首次使用前先清潔本產品。以90°C運行「棉質衣物」程序整個流程，過程中無需加入衣物和清潔劑。
- 本產品能檢測裝入的衣物量，透過最大限度地減少能源和水的消耗來優化產品性能。因此，建議使用前校準本產品以獲得最佳使用效果：
 1. 從洗衣筒上拆下所有附件並關閉門。
 2. 將電源插頭插入插座。
 3. 打開本產品電源，同時按「脫水速度鍵」和「延時啟動鍵」10秒，直至顯示屏顯示「t19」。
 4. 按「開始/暫停鍵」，產品自動運行，直至顯示屏顯示「****」即完成。

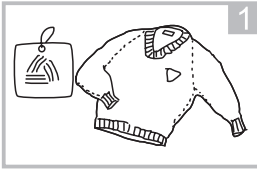
快速使用指南

1. 連接電源，打開水龍頭。
2. 放入需要清洗的衣物後，關好門。
3. 在洗衣劑盒中添加洗衣劑。
4. 按「開/關鍵」開機，擰動旋鈕選擇所需洗衣程序。
5. 如有需要可自行調校洗衣參數，然後按「開始/暫停鍵」，產品自動運行。
6. 洗衣程序完成後，蜂鳴器發出提示音，顯示屏顯示「End」。

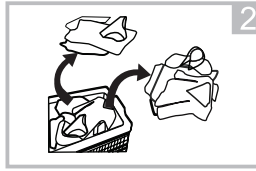
每次洗衣前注意事項

- 本產品的使用環境溫度應為5-40°C。如果在0°C以下使用，進水閥和排水系統可能會損壞。如果本產品在冰凍的環境條件下安裝，應將其轉移至正常環境，並確保進水管和排水管解凍後再使用。
- 使用前請先檢查衣物上的洗衣護理標籤和洗衣劑使用說明，必須正確使用適合機洗的無泡或少泡洗衣劑。
- 嚴禁清洗或烘乾易燃或易爆物質如蠟、油、油漆、汽油、酒精、煤油和其他易燃材料清洗過、浸泡過或沾過的物品。
- 洗滌單件衣物容易產生較大偏心，令本產品因不平衡而引起警報，建議在洗滌時多添加一至兩件衣物，以便順利脫水。

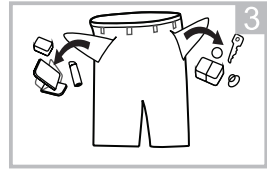
使用說明



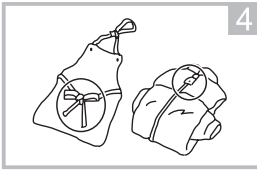
1 檢查洗衣護理標籤



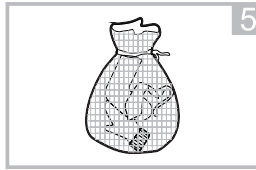
2 根據顏色和類型分類衣物



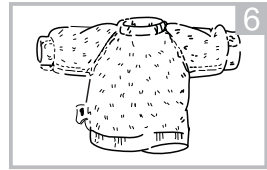
3 從口袋裡取出所有物品



4 將衣物腰帶綁起，拉上拉鍊和扣好鈕扣



5 將小件物品放入洗衣袋中

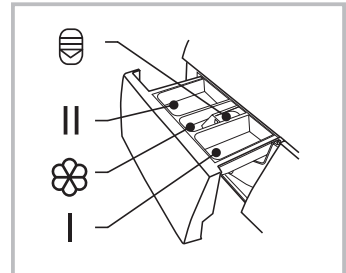


6 將易起毛球和長絨的衣物翻轉

洗衣劑盒

洗衣劑盒共分成三格

圖標	說明
I	預洗洗衣劑或洗衣粉（如有需要）
II	主洗洗衣劑、柔順劑、預浸劑、漂白或去污產品
☼	特殊添加劑，例如纖維柔軟劑或增黏劑（如有需要）
☉	鬆開此按鈕即可拉出洗衣劑盒



注意：

如選擇「預洗」功能，必須在洗衣劑盒中添加預洗洗衣劑。

洗衣程序	I	II	☼	洗衣程序	I	II	☼
棉質衣物	●	○	○	乾衣模式			
1小時洗衣及乾衣	●	○	○	脫水			
牛仔布	●	○	○	快速洗滌	●	○	○
混合衣物	●	○	○	運動服	●	○	○
羊毛衣物	●	○	○	嬰兒衣物	●	○	○
過水及脫水			○	洗衣及乾衣	●	○	○
節能洗滌40-60°C	●	○	○	棉質衣物-環保	●	○	○
冷水洗滌20°C	●	○	○				

使用說明

洗衣劑推薦

推薦洗衣劑	洗衣程序	洗衣溫度	衣物質料及類型
含有漂白劑和熒光增白劑的重垢洗衣劑	棉質衣物-環保/ 節能洗滌40-60°C /棉質衣物	40°C /60°C	由棉質或亞麻製成的白色衣物
不含漂白劑和熒光增白劑的彩色洗衣劑	棉質衣物/棉質衣物-環保/ 節能洗滌40-60°C /混合衣物/ 冷水洗滌20°C	20°C /30°C /40°C	由棉質或亞麻製成的彩色衣物
不含熒光增白劑的彩色或溫和洗衣劑	冷水洗滌20°C	冷水/20°C	由易護理纖維或合成材料製成的彩色衣物
溫和洗衣劑	冷水洗滌20°C	冷水/20°C	精緻紡織品、絲綢、人造絲
羊毛專用洗衣劑	羊毛衣物	20°C /30°C /40°C	羊毛

注意：

此表格僅供用戶參考，請按實際情況自行調整。

- 結塊或呈黏稠狀的洗衣劑或添加劑，先用少許水稀釋後再倒入洗衣劑盒中，以免其入口被堵塞而導致水溢出。
- 選擇合適的洗衣劑類型，以獲得最佳的洗衣效果和最少的水和能源消耗。
- 為達到最佳的清潔效果，正確的洗衣劑劑量非常重要。
- 如果滾筒未完全裝滿，請減少洗衣劑劑量。
- 根據水質調整洗衣劑的用量，如自來水較軟，請減少洗衣劑劑量。
- 根據衣物的髒度確定洗衣劑劑量，髒衣服越少，需要的洗衣劑越少。
- 高濃度（濃縮洗衣劑）需要特別準確的劑量。

使用說明

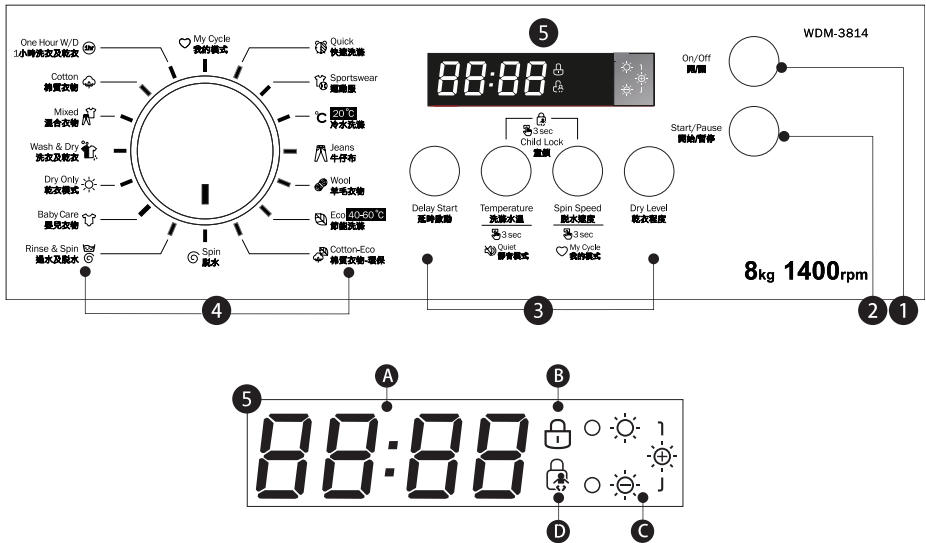
以下症狀是洗衣劑過量的跡象：

- 大量泡沫形成
- 洗衣和過水效果不佳

以下症狀是洗衣劑不足的跡象：

- 衣物變灰
- 滾筒、加熱元件或衣物上積聚水垢沉積物

控制面板



序號	說明	序號	說明		
1	開/關鍵	開機或關機	A	數值顯示	顯示洗衣或預約時間、轉速、錯誤代碼等
2	開始/暫停鍵	開始或暫停洗衣程序	B	門鎖指示燈	門鎖上時此燈常亮
3	選項鍵	分別為延時啟動鍵、洗滌水溫鍵、脫水速度鍵及乾衣程度鍵	C	乾衣程度指示燈	☀️高檔 ☀️中檔 ☀️低檔
4	程序旋鈕	擰動旋鈕選擇洗衣程序	D	童鎖指示燈	童鎖啟動時此燈常亮
5	顯示屏	顯示設置、預計剩餘時間、選項和狀態			

使用說明

洗衣程序

根據不同的衣物類型選擇合適的洗衣程序。

程序	洗衣/乾衣重量	預設溫度	預設時間	預設脫水轉速 (RPM)	使用建議
我的模式	/	/	/	/	用於記錄常用的洗衣程序及設置，詳見「我的模式」部份
快速洗滌	2kg	冷水	0:15	800	極速洗衣程序，適合清洗少量輕度髒污的衣物
運動服	4kg	40°C	1:11	800	清洗運動服
冷水洗滌20°C	4kg	20°C	1:01	1000	預設為20°C，或可選擇冷水
牛仔布	8kg	60°C	1:45	1000	特別適合牛仔褲
羊毛衣物	2kg	40°C	1:07	600	可機洗的羊毛紡織品。輕柔洗滌程序防縮水，程序暫停時間較長令紡織品可浸泡在洗衣液中
節能洗滌 40-60°C	8kg	/	3:35	1400	適用於洗滌顏色鮮艷的衣服，預設為40°C，不可選擇
棉質衣物-環保	8kg	40°C	3:48	800	為增強洗滌效果，增長時間
脫水	8kg	/	0:12	1000	可選轉速的額外脫水程序
過水及脫水	8kg	/	0:20	1000	額外過水及脫水程序
嬰兒衣物	8kg	60°C	1:43	800	清洗嬰幼兒衣物，過水效果更好，保護嬰幼兒皮膚
☼乾衣模式	6kg	/	4:14	1400	可選不同乾衣溫度，乾衣時間根據負載而定
☼洗衣及乾衣	6kg	/	5:00	1400	標準洗衣及乾衣程序
☼混合衣物	8kg/6kg	40°C	1:20	800	一次過清洗不同類型的衣物
☼棉質衣物	8kg/6kg	40°C	3:49	1400	適用於洗滌由棉質或亞麻製成的紡織品
☼1小時洗衣及乾衣	1kg/1kg	冷水	0:58	1400	適用於洗滌及烘乾小型衣物或襯衫

注意：

- 此表格中的參數僅供用戶參考，實際參數可能與有所不同。
- 帶☼標誌的程序可選擇乾衣功能。
- 使用「1小時洗衣及乾衣」程序時，避免放入大毛巾或牛仔褲，否則會延長洗衣時間並影響水分含量。
- 如果本產品運行時電源中斷，特殊記憶體會存儲所選程序。當電源重新連接時，本產品將繼續執行程序。

使用說明

延時洗衣

1. 按「開/關鍵」開機後，擰動程序旋鈕選擇所需的洗衣程序。
2. 按「延時啟動鍵」選擇預約時間，顯示屏顯示0H-24H，代表0-24小時。
3. 按「開始/暫停鍵」確認，產品開始倒數，並在倒數完畢後自動運行所選洗衣程序。

注意：

如需取消預約洗衣，重複按「延時啟動鍵」，直至預約時間顯示為「0H」。

調校轉速

按「脫水速度鍵」調節洗衣筒轉速。重複按「脫水速度鍵」循環選擇：
1400-0-400-600-800-1000-1200-1400轉速。

調校溫度

按「洗滌水溫鍵」調節洗衣溫度。重複按「洗滌水溫鍵」循環選擇：
冷水-20°C -30°C -40°C -60°C -90°C 溫度。

調校乾衣檔位

按「乾衣程度鍵」調節乾衣檔位。重複按「乾衣程度鍵」循環選擇：高檔-中檔-低檔。

檔位	說明
☀️高檔	需要立即穿的衣服，可以選擇此檔位
☀️中檔	正常乾衣程序
☀️低檔	只需稍微乾燥即可

注意：

- 衣物可以在脫水後再烘乾。
- 為確保衣物質量，請按衣物種類、質料和乾衣溫度進行分類。
- 合成纖維應設定適當的乾衣時間。
- 如果您想在衣物烘乾後熨衣，請先將其放置一段時間。
- 不適合烘乾的衣物包括：精緻物品如合成窗簾、羊毛、絲綢、帶有金屬嵌件的衣物、尼龍絲襪、厚重的衣物如風衣、床罩、被子、睡袋和羽絨被等。
- 嚴禁用本產品烘乾帶有發泡膠或類似泡沫橡膠材料的衣物。
- 含有定型乳液或髮膠、指甲油或類似溶液殘留物的織物不得用本產品烘乾，避免形成有害蒸氣。

童鎖功能

同時長按「洗滌水溫鍵」及「脫水速度鍵」3秒啟動童鎖功能，除「開/關鍵」外所有按鍵無效；如需解除童鎖，再次長按「洗滌水溫鍵」及「脫水速度鍵」3秒。

開關蜂鳴器

長按「洗滌水溫鍵」3秒關閉蜂鳴器；如需開啟蜂鳴器，再次長按「洗滌水溫鍵」3秒。

我的模式

用於記錄常用的洗衣程序及設置，長按「脫水速度鍵」3秒開始記錄洗衣程序；如沒有自行記錄，當擰動旋鈕至「我的模式」時，將以「棉質衣物」程序運行。

清潔及保養

⚠ 警告！

清潔和維護前，必須拔除電源插頭並關閉水龍頭。

清潔機身

- 本產品的正確保養可以延長其使用壽命。
- 必要時可用稀釋的非研磨性中性清潔劑清潔本產品表面。
- 如果有水溢出，請立即用布擦去。
- 嚴禁使用鋒利的物品清潔本產品。

⚠ 警告！

嚴禁使用研磨劑、腐蝕性劑、甲酸或其稀釋溶劑或類似物質，如酒精或化學產品進行清潔。

清潔洗衣筒

金屬物品在洗衣筒內留下的任何鏽跡必須立即使用不含氯的清潔劑清除，嚴禁使用鋼絲絨清潔洗衣筒。

注意：

清潔洗衣筒時，必須將衣物全部取出。

清潔門封和玻璃

- 每次使用後擦拭玻璃和密封件，以去除絨毛和污漬。如果絨毛堆積，可能會導致漏水。
- 每次使用後必須清除密封件上的所有硬幣、鈕扣或其他物體。
- 每月清潔門封和玻璃，以確保本產品正常運行。

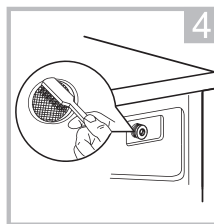
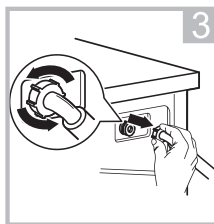
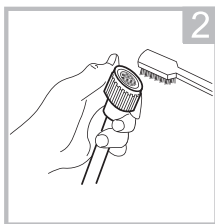
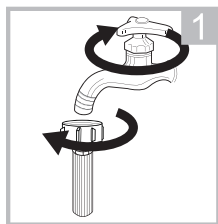
清潔及保養

清潔進水口過濾器

注意：

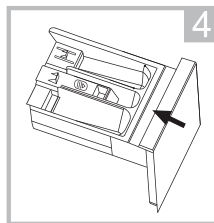
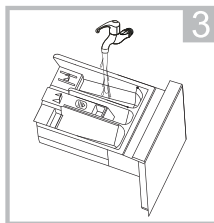
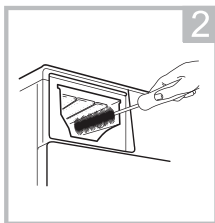
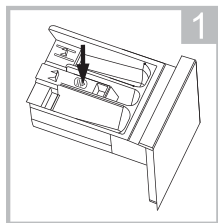
- 當水流量減少時，代表需要清潔進水口過濾器。
- 建議至少每3個月清潔一次，以確保本產品正常運行。

1. 關閉水龍頭，拆下連接著水龍頭一端的進水管。
2. 用刷子清潔乾淨過濾器。
3. 拆下連接機背一端的進水管。用長嘴鉗拉出進水口過濾器，用刷子清潔乾淨。
4. 將進水口過濾器重新安裝到進水口，並重新連接進水管。



清潔洗衣劑盒

1. 按下洗衣劑盒上的釋放按鍵，然後將洗衣劑盒從凹槽中拉出，
2. 用刷子清潔凹槽內部。
3. 用水清潔洗衣劑盒，用刷子清潔凹槽內部。
4. 將洗衣劑盒正確安裝回凹槽之內。



⚠ 警告！

- 嚴禁使用研磨劑或腐蝕性清潔劑清潔塑料部件。
- 建議至少每3個月清潔一次，以確保本產品正常運行。

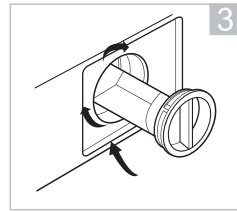
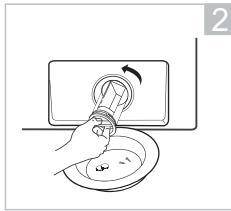
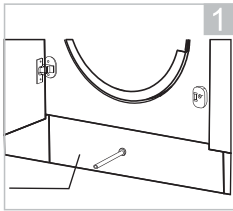
清潔及保養

清潔排水泵過濾器

⚠ 警告！

- 清洗前必須拔除電源插頭，以免觸電。
- 清洗時小心熱水。
- 讓清潔劑溶液冷卻。
- 建議至少每3個月清潔一次，以確保本產品正常運行。

排水泵過濾器可以過濾洗滌物中的紗線和細小異物。斷開電源後，拔出擋板，將過濾器拉下，清潔裡面雜物後，將過濾器正確地裝回原處。



注意：

確保緊急排水管蓋和緊急排水管已正確重新安裝，否則可能會漏水。

移動本產品

1. 拔除電源插頭並關閉水龍頭。
2. 檢查門和洗衣劑盒是否正確關閉。
3. 從主機上拆除進水管和排水管。
4. 讓水從本產品中完全排出。
5. 重新安裝本產品背部的4個運輸螺栓。
6. 本產品很重，小心運輸。提起本產品時嚴禁握住本產品的任何突出部分，機門嚴禁用於充當把手。

故障檢修

每當本產品出現問題時，請檢查是否可以按照下表解決問題。如果問題仍然存在，請聯繫德國寶客戶服務及維修中心，嚴禁私自拆卸維修。

故障問題	可能原因	解決方法
產品不運作	門未正確關閉；衣物堵塞	檢查衣物，正確關閉門並重新開機
門無法開啟	安全保護啟動	斷開電源並重新開機
機身漏水	水管連接不固定	檢查並緊固進水管；檢查並清潔排水管
洗衣劑盒出現殘留物	洗衣劑潮濕或凝結	清潔並擦乾洗衣劑盒
指示燈或顯示屏不工作	電路板電線鬆脫	聯絡德國寶客戶服務及維修中心
發出異常噪音	固定螺栓仍在原位；地板不堅固或不水平	檢查固定螺栓是否已拆下，確保本產品安裝在堅固且水平的地板上
顯示屏顯示「E30」	門未正確關閉	正確關閉門並重新開機
顯示屏顯示「E10」	洗衣過程中出現注水問題	檢查水壓是否足夠高；拉直水管；清潔進水口過濾器
顯示屏顯示「E21」	超時排水	檢查排水管是否堵塞
顯示屏顯示「E12」	水滿溢出	重新啟動本產品
顯示屏顯示「EXX」	其他	重新啟動本產品，如果問題持續，聯繫德國寶客戶服務及維修中心

⚠ 警告！

觸電危險：

- 嚴禁嘗試修理有缺陷或假定有缺陷的產品，避免發生危險。只有經過授權的合資格人員才可以進行維修工作。
- 維修不當將導致保修失效，或可導致無法確認的後續損壞。

技術規格

型號	WDM-3814
電壓/頻率	220-240 V~, 50 Hz
額定功率	1,900 W
最大洗衣重量	8 kg
最大乾衣重量	6 kg
水壓	0.05-1 MPa
產品尺寸	(W) 595 x (D) 540 x (H) 825 mm
淨重	64 kg

- 產品規格及設計如有變更，恕不另行通知。
- 中英文版本如有出入，一概以英文版為準。
- 本產品使用說明書以www.germanpool.com網上版為最新版本。

保用條款

此保用提供德國寶產品之機件在正常使用下壹年保用(自購買日起計算)。

Warranty Terms & Conditions

Under normal operations, the product will guarantee a 1-year warranty provided by German Pool (effective from the date of purchase).

* 貴戶須在購機十天內，以下列其中一種方式向本公司登記資料，保用手續方正式生效：

- 1) 填妥德國寶VIP手機應用程式保用登記表(掃描右方二維碼)
- 2) 填妥本公司網頁保用登記表
www.germanpool.com/warranty
- 3) 填妥保用卡郵寄至本公司。



* This warranty is not valid until customer registration information is received by our Service Centre within 10 days of purchase via one of the following means:

- 1) Visit our VIP App and register online:
(Scan the QR Code on the right)
- 2) Visit our website and register online:
www.germanpool.com/warranty
- 3) Complete the attached Warranty Card and mail it back to our Customer Service Centre.



另請填妥以下表格並與正本發票一併保存，以便維修時核對資料。用戶提供之所有資料必須正確無誤，否則免費保用將會無效。 Please fill out the form below. This information and the original purchase invoice will be required for any repairs. Warranty will be invalidated if information provided is found to be inaccurate.

型號 Model No. : WDM-3814

機身號碼 Serial No. : _____ 發票號碼 Invoice No. : _____

購買商號 Purchased From : _____ 購買日期 Purchase Date : _____

1. 未能出示購買發票正本者，將不獲免費維修服務。
2. 用戶應依照說明書的指示操作。本保用並不包括：
 - 上門安裝、檢驗、維修或更換零件之人工以及一切運輸費用；
 - 因天然與人為意外造成的損壞(包括運輸及其他)；
 - 電源接合不當、不依說明書而錯誤或疏忽使用本機所引致之損壞。
3. 於下列情況下，用戶之保用資格將被取消：
 - 購買發票有任何非認可之刪改；
 - 產品被用作商業或工業用途；
 - 產品經非認可之技術人員改裝或加裝任何配件；
 - 機身編號被擅自塗改、破壞或刪除。
4. 總代理有權選擇維修或更換配件或其損壞部份。
5. 產品一經被轉讓，其保用即被視作無效。

1. Customer who fails to present original purchase invoice will not be eligible for free warranty service.
2. Customer should always follow the operating instructions. This warranty does not apply to:
 - labour costs for on-site installation, check-up, repair, replacement of parts and other transportation costs;
 - damages caused by accidents of any kind (including material transfer and others);
 - operating failures resulting from applying incorrect voltage, improper usage, and unauthorized installations or repairs.
3. This warranty is invalid if:
 - the purchase invoice is modified by an unauthorized party;
 - the product is used for any commercial or industrial purposes;
 - the product is repaired or modified by unauthorized personnel, or unauthorized parts are installed;
 - the serial number is modified, damaged or removed from the product.
4. German Pool will, at its discretion, repair or replace any defective part.
5. This warranty will be void if there is any transfer of ownership from the original purchaser.

客戶服務及維修中心

中國香港

九龍大業街59號

三湘九龍灣貨運中心地下B室

電話：+852 2773 2888

傳真：+852 2356 9798

電郵：repairs@germanpool.com

中國澳門

澳門青洲大馬路(青洲新路)

515號美居廣場第二期1樓A座

電話：+853 2875 2699

傳真：+853 2875 2661

Customer Service & Repair Centre

Hong Kong, China

Unit B, G/F, Sunshine Kowloon Bay

Cargo Centre, 59 Tai Yip Street,

Kowloon, Hong Kong

Tel : +852 2773 2888

Fax : +852 2356 9798

Email : repairs@germanpool.com

Macau, China

A, 1 Andar, Mei Kui Kuong Cheong Fase 2,

No.515 Avenida Do Conselheiro Borja

Macau

Tel : +853 2875 2699

Fax : +853 2875 2661

此保用只適用於香港及澳門

This warranty is valid only in Hong Kong and Macau

German Pool (Hong Kong) Limited

Hong Kong

Room 113, Newport Centre Phase II, 116 Ma Tau
Kok Road, Tokwawan, Kowloon, Hong Kong.
Tel: +852 2773 2888
Fax: +852 2765 8215

China

8th, Xinxiang Road, Wusha Industrial Park,
Daliang, Shunde, Foshan, Guangdong
Tel: +86 757 2219 6888
Fax: +86 757 2219 6809

Macau

A, 1 Andar, Mei Kui Kuong Cheong Fase 2,
No.515 Avenida Do Conselheiro Borja, Macau
Tel: +853 2875 2699
Fax: +853 2875 2661



香港《S MARK》
安全認證



中國標榜/家電行業
十大影響力品牌



CEO非凡品牌大賞



香港優質商標



香港工商業獎



2007
最具潛質
創星品牌企業獎



香港中小企業
最佳拍檔大獎



香港消費者推祟品牌



香港《Q標》
優質服務證書



香港名牌十年成就獎
HONG KONG TOP BRAND TEN YEAR
ACHIEVEMENT AWARD

© All rights reserved. Copying, reproducing or using the contents of this manual is not allowed without prior authorization from German Pool, violators will be prosecuted.