

Chimney Type Range Hood

RSS SERIES



RSS-6356 / RSS-7356 / RSS-8356 / RSS-9356  
RSS-6457 / RSS-7457 / RSS-8457 / RSS-9457

Please read these instructions and warranty information carefully before use and keep them handy for future reference.

Online Warranty Registration



**USER MANUAL**

# Content

---

Warnings & Safety Precautions 03

Product Structure 05

Installation Instructions 06

Operation Instructions 09

Care & Maintenance 11

Troubleshooting 12

Recycling & Disposal 12

Technical Specification 13

Warranty Terms & Conditions 27

# Warnings & Safety Precautions

---

For safety purpose, you should read the instructions carefully before using the appliance for the first time. Save the instructions for future reference. The appliance is designed for domestic use and may only be installed and operated in accordance with these instructions for use.

## **WARNING!**

- All installation work must be carried out by a competent person or qualified electrician.
- This appliance must be installed correctly by a suitably qualified person, strictly following the User Manual.
- This appliance complies with all current European safety legislation, however, the Manufacturer must emphasise that this compliance does not prevent the surfaces of the appliance from heating up during use and remaining hot during its operation.
- Accessible parts may become hot during use. Young children should be kept away. Care should be taken to avoid touching the appliance.
- Highly recommends that this appliance be kept out of the reach of babies and young children.
- This appliance can be used by children aged from 8 years and above and persons with reduced physical, sensory or mental capabilities or lack of experience and knowledge if they have been given supervision or instruction concerning use of the appliance in a safe way and understand the hazards involved. Children shall not play with the appliance. Cleaning and user maintenance shall not be made by children unless they are older than 8 and supervised.
- Keep the appliance and its cord out of reach of children less than 8 years.
- Regularly check the power plug and power cord for damage. If the supply cord is damaged, it must be replaced by the manufacturer, its service agent or similarly qualified persons in order to avoid a danger or injury.
- Do not allow the electric cables to touch the hot parts of the appliance.
- Make sure that the power cord is not caught under or in the appliance and avoid damage to the power cable.
- Do not install the appliance outdoors in a damp place or in an area which may be prone to water leaks such as under or near a sink unit. In the event of a water leak, allow the machine to dry naturally.

## **WARNING!**

- Failure to install the screws or fix device in accordance with these instructions may result in electrical hazards.
- When the range hood and appliances supplied with energy other than electricity are simultaneously in operation, the negative pressure in the room must not exceed 4 Pa.

# Warnings & Safety Precautions

---

- Please dispose of the packing material carefully.
- Do not use flammable sprays in close vicinity to the appliance.
- We recommend that great care be taken during use and cleaning. Read the cleaning and maintenance sections for this appliance carefully.
- A steam cleaner is not to be used.
- The appliance is not intended to be operated by means of external timer or separated remote-control system.
- The appliance is for domestic use only.

## **WARNING!**

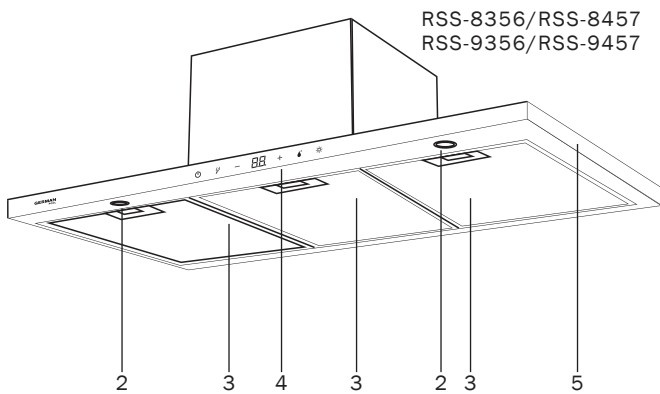
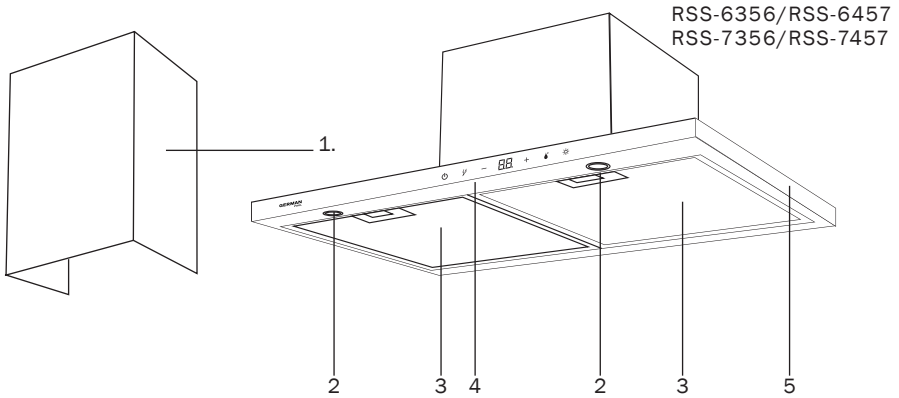
- Consult local regulations regarding fumes outlets. Do not connect the hood to a fume, ventilation or hot air duct. Confirm that room ventilation is appropriate with the local authorities. Make sure the maximum air extraction flow rate for the appliances in the room does not exceed 4 Pa. The room must have adequate ventilation if an extractor hood is used simultaneously with appliances that run on gas or other fuels. The air must not be discharged into a flue that is used for exhausting fumes from appliances burning gas or other fuels. Regulations regarding air extraction must be complied with.
- Before connecting the hood: switch off the electricity supply and check that the supplied voltage and frequency coincide with that indicated on the appliance nameplate.
- The hood may stop working during an electrostatic discharge (e.g. Lightning). This involves no risk of damage. Switch off the electricity supply to the hood and reconnect after one minute.
- To avoid the risk of fire, clean the metal filter regularly and closely watch and regulate pans containing hot oil.
- Do not use the hood if it shows signs of damage or imperfection. Contact customer services centre.
- Flambe cooking must not be carried out underneath this appliance.
- When installing the appliance, make sure that the following distances between the top of cooker or hob and the lowest part of the hood must be observed: Gas Hobs 750mm; Electric hobs 650mm.
- The Manufacturer declines all liability for personal or material damage as a result of misuse or incorrect installation of this appliance.
- Regarding the information pertaining to installation, please refer to the "Installation Instruction" of the Manual.

## **WARNING!**

There is a risk of electric shock and fire if cleaning is not carried out in accordance with the instructions.

# Product Structure

---



- 1. Motor cover (optional purchase)
- 2. LED light
- 3. Aluminum Filter (oil collector inside)
- 4. Control panel
- 5. Body

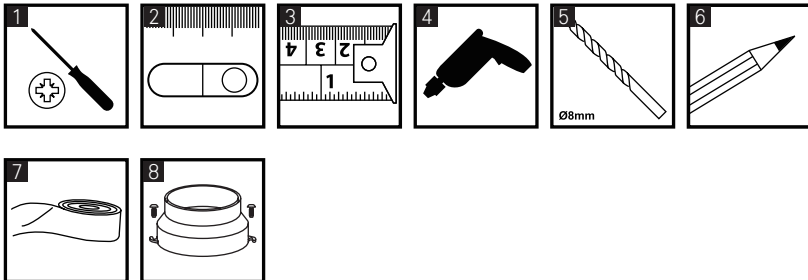
# Installation Instructions

---

## Things to check before installation

- To avoid the constant danger when using electrical appliance, it is important to properly install this range hood and read the safety instructions carefully to avoid misuse and danger. We recommend that you keep this instruction manual for future reference and pass it to any future owners. After unpacking the range hood, check that the range hood is intact. When in doubt, do not use the device.
- Check the package and make sure you have all of the parts listed.
- Decide on the appropriate location for your product.
- If this product contains glass, please take care with fitting or handling to prevent personal injury or damage to the product.
- The specifications plate is available on the appliance. This plate displays all the necessary identification information for ordering replacement parts.
- If you sell the appliance, give it away, or leave it behind when you move house, make sure you also pass this manual to the new owner, so that the new owner can become familiar with the appliance and its safety warnings.

## Installation Tools

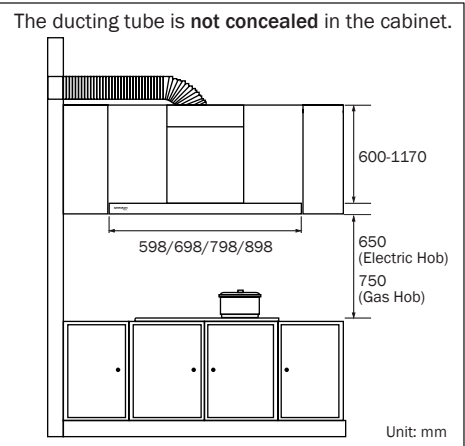
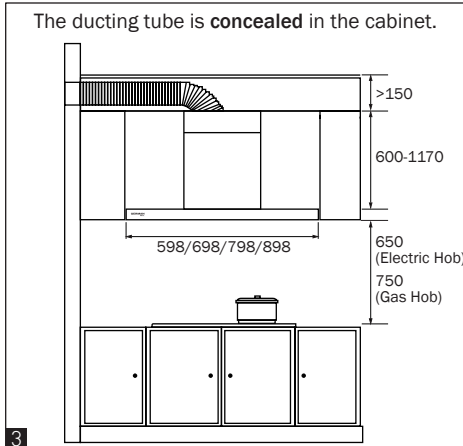
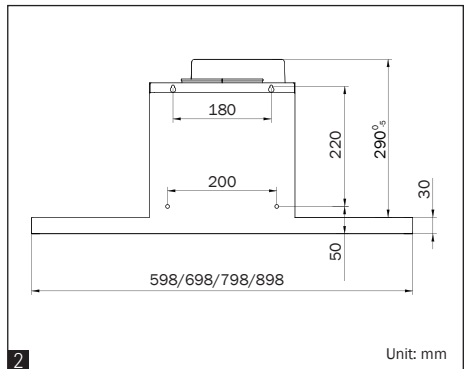
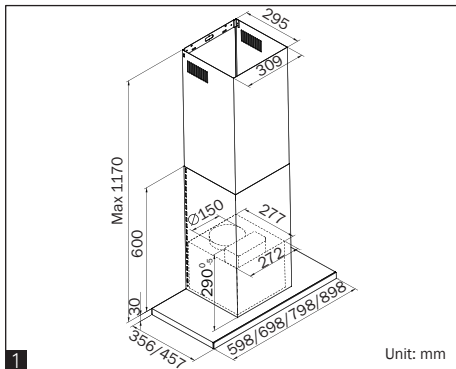


1. Phillips Screwdriver
2. Spirit Level
3. Pull Ruler
4. Electric Drill
5. Drill bit (Ø8mm)
6. Pencil
7. Aluminium Tape
8. Adapter (Ø150mm to Ø120mm) & M4\*8 screw x 2

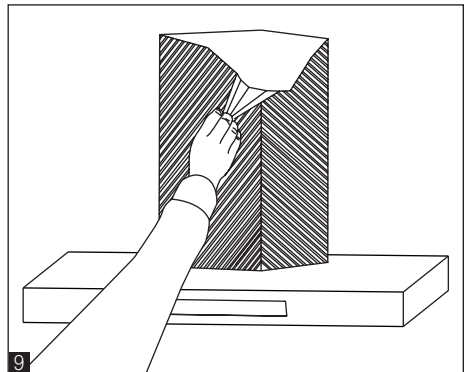
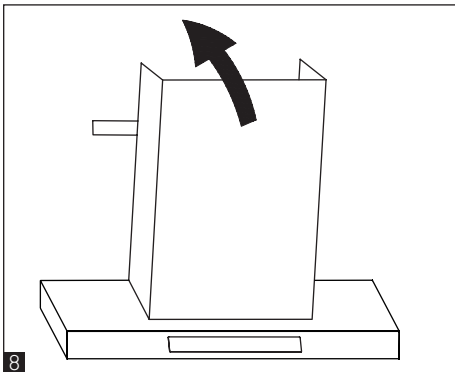
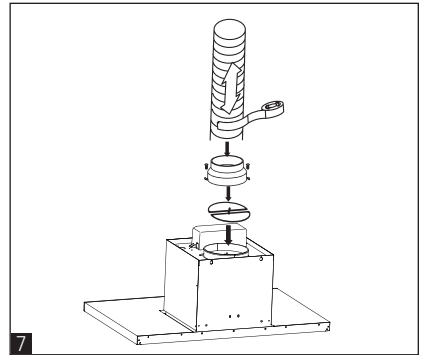
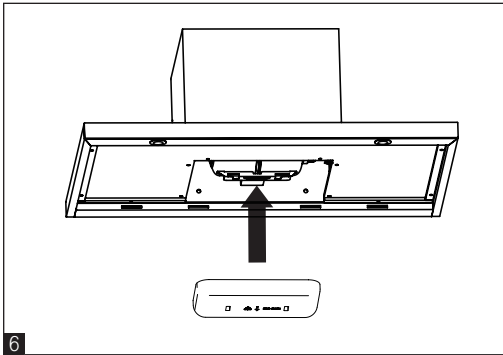
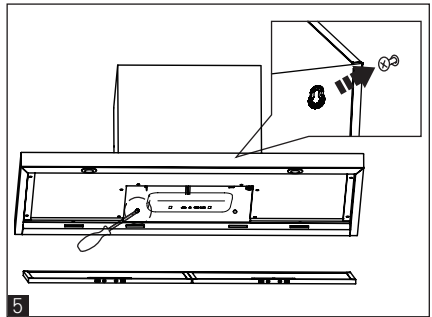
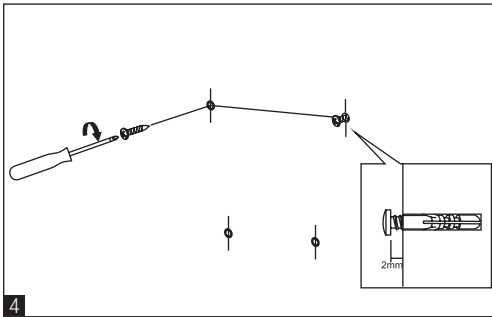
# Installation Instructions

## Installation Steps

1. Type of installation: Ducted option; Failure to install the screws or fixing device in accordance with these instructions may result in electrical hazards.
2. Mark on the wall the hole positions as shown in diagram (pic 2); The wall plugs supplied are suitable for solid walls only. When fixing to any other type of wall, please use suitable alternative fixings.
3. Distances between the top of cooker or hob and the lowest part of the hood must be observed: gas hobs 750mm; electric hobs 650mm (pic. 3).
4. Drill 4 holes according to the marked positions, insert the wall plugs, then screw on the upper 2 screws leaving 2 mm space between the wall and the screw head (pic. 4).
5. Hang the range hood on the upper 2 screws, then secure the range hood by tightening the lower two screws from the inside of the hood (pic. 5).
6. Take off the aluminum filters and install the oil cup (fig. 6). Fix the Ducting Tube by using tape or clamp (make use of the  $\Phi 150\text{mm}$  to  $\Phi 120\text{mm}$  adapter if needed) (pic. 7)
7. (Optional) Attach the motor cover onto the top of the range hood (pic. 8).
8. Remove all protective films after installation (pic. 9).



# Installation Instructions





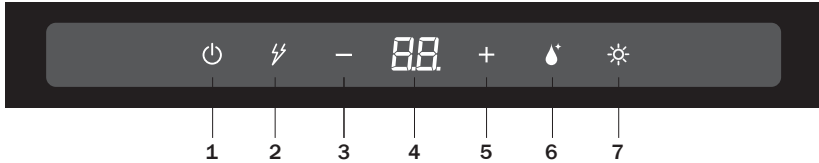
# Operation Instructions

---

## Before Use

Switch on the appliance at the switched fused connection unit. The appliance is ready for use.

## Control Panel



### 1. On/Off Key

- Tap once to turn on the product.
- When the product is operating, tap once to enter 90-second delay shutdown; anytime during the 90-second delay shutdown period, tap one more time and the product will shut down immediately. During the 90-second delay shutdown period, LED display will blink and show the current gear level, On/Off Key blinks, signaling that 90-second delay shutdown is in progress.

### 2. Booster Key

Tap to activate Turbo Boost Mode, LED display blinks HF and Booster Key blink; Product will run in turbo for 3 minutes, after which it will automatically return to the previous gear level. To exit Turbo Boost Function immediately, tap again, product will immediately return to the previous gear level. Tap On/Off Key during Turbo Boost Function will activate 90-second delay shutdown, On/Off Key and Booster Key blink. After countdown is completed, the product will automatically turn off.

### 3. Gear Down Key

Tap to gear down one level.

### 4. LED Display

### 5. Gear Up Key

Tap to move up one level.

### 6. Self-Cleaning Key

In Standby Mode, tap the key hold for 3 seconds to activate Self-Cleaning Function, LED display blinks HH; Self-Cleaning Key blinks, electric heater will heat up for 10 minutes to melt grease, then motor will run for 1 minute to dissipate the melted grease. During self-cleaning, tap the key hold for 3 seconds again to manually turn off Self-Cleaning Function.

### 7. Lighting Key

Tap to turn on or turn off LED light.

# Operation Instructions

---

## **Gesture Control**

Within a distance of 8cm from the front of the control panel, Wave to turn on or turn off the hood. When waving the gesture range needs to cover the entire control panel.

### **Waving from left to right:**

Turn on the hood, the motor and the lights are turned on, the motor remains in the memory of the last shutdown Gear. When hood is turned on, wave from left to right to move up one level.

### **Waving from right to left:**

Turn off the motor and lights.

# Care & Maintenance

## **⚠ WARNING!**

Turn off the product and switch off the switched fuse connection unit before cleaning & maintenance.

## **Daily Cleaning**

In order to prevent the oil cup from overflowing, it is recommended to clean the oil cup at least once a week; if the product is used frequently, the cleaning frequency of the oil cup should be increased.

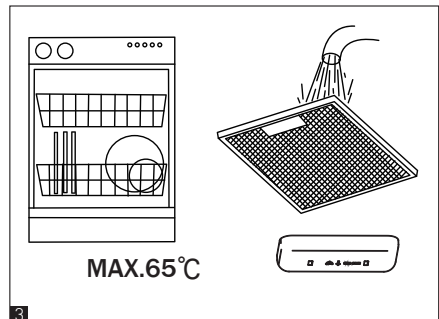
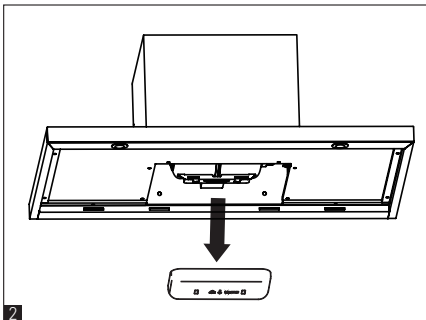
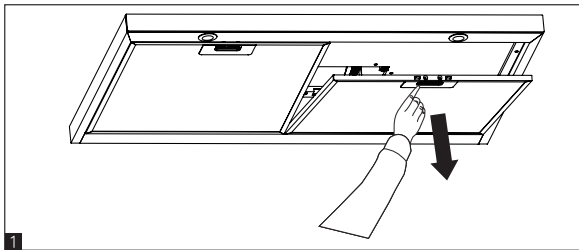
## **Cleaning of Oil Cup and Aluminum Filter**

To avoid fire, please clean the oil cup thoroughly every month or after using the self-cleaning function and clean the aluminum filters every week. To do this, remove the oil cup and soak it in hot water and detergent for an hour. If using a dishwasher, do not exceed 65°C.

1. Press the lock catch in front of the aluminum filter to remove the filter. Make sure to hold onto the aluminum filters to prevent it from falling (pic. 1).
2. Pull the oil cup slightly outwards and remove the oil cup (pic. 2).
3. Oil cup and aluminum filters can be soaked in hot water with neutral detergent for 1 hour, then rinse clean and air dry completely before reinstalling. The aluminum filters can also be placed in the dishwasher. DO NOT use water hotter than 65°C to soak or wash the aluminum filters.

## **Note:**

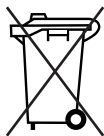
Increase the oil cup cleaning frequency if the hood is used for more than 2 hours a day. Always use genuine filters from the manufacturer.



# Troubleshooting

Problem	Possible Cause	Solution
Excessive vibration	The product is not installed properly	Check to make sure the product is properly installed
	The fan blade is damaged	Switch off the product, contact Customer Service & Repair Centre
	The fan motor is not fixed tightly	
Light on but motor does not work	The fan blade is jammed	
	The motor is damaged	
Both light and motor do not work	Light bulb blown	Check power connection
	Power connection loose	
Suction performance reduced	Speed may be too low	Select a higher speed
	Distance between the product and the hob is too great	Readjust the distance to: Gas hobs: 750mm Electric hobs: 650mm
	Top vent might be obstructed	Clear any obstruction
	Optional vent kit might be twisted	Ensure that the vent kit is fitted to the manufacturer instructions

## Recycling & Disposal



Waste electrical products not be disposed of with household waste. Please recycle where facilities exist. Check with your Local Authority or retailer for recycling advice.

The symbol on the product or its packaging indicates that this product should be handed over to an electric and electronic equipment collection point for recycling.

On ensuring that this product is disposed of correctly, you will help to avoid possible negative consequences for the environment and public health, which could occur if this product is not handled correctly. To receive more detailed information about recycling this product, contact your local government, domestic waste disposal services or the outlet where the product was bought.

# Technical Specification

---

Model	RSS-6356	RSS-6457
Voltage / Frequency	220 - 240 V ~ 50 / 60 Hz	220 - 240 V ~ 50 / 60 Hz
Power (Max)	303 W	303 W
Lighting	1.5W*2	1.5W*2
Motor Speed	Max. 2,800 RPM	Max. 2,800 RPM
Exhaust Flow	1,000 m3/h	1,000 m3/h
Product Dimensions (With motor, not including motor cover)	(H) 320 mm (W) 598 mm (D) 356 mm	(H) 320 mm (W) 598 mm (D) 457 mm
Net Weight	8 kg	9 kg

Model	RSS-7356	RSS-7457
Voltage / Frequency	220 - 240 V ~ 50 / 60 Hz	220 - 240 V ~ 50 / 60 Hz
Power (Max)	303 W	303 W
Lighting	1.5W*2	1.5W*2
Motor Speed	Max. 2,800 RPM	Max. 2,800 RPM
Exhaust Flow	1,000 m3/h	1,000 m3/h
Product Dimensions (With motor, not including motor cover)	(H) 320 mm (W) 698 mm (D) 356 mm	(H) 320 mm (W) 698 mm (D) 457 mm
Net Weight	8.5 kg	9.5 kg

Model	RSS-8356	RSS-8457
Voltage / Frequency	220 - 240 V ~ 50 / 60 Hz	220 - 240 V ~ 50 / 60 Hz
Power (Max)	303 W	303 W
Lighting	1.5W*2	1.5W*2
Motor Speed	Max. 2,800 RPM	Max. 2,800 RPM
Exhaust Flow	1,000 m3/h	1,000 m3/h
Product Dimensions (With motor, not including motor cover)	(H) 320 mm (W) 798 mm (D) 356 mm	(H) 320 mm (W) 798 mm (D) 457 mm
Net Weight	9 kg	10.3 kg

# Technical Specification

---

Model	RSS-9356	RSS-9457
Voltage / Frequency	220 - 240 V ~ 50 / 60 Hz	220 - 240 V ~ 50 / 60 Hz
Power (Max)	303 W	303 W
Lighting	1.5W*2	1.5W*2
Motor Speed	Max. 2,800 RPM	Max. 2,800 RPM
Exhaust Flow	1,000 m3/h	1,000 m3/h
Product Dimensions (With motor, not including motor cover)	(H) 320 mm (W) 898 mm (D) 356 mm	(H) 320 mm (W) 898 mm (D) 457 mm
Net Weight	9.5 kg	11 kg

- The exhaust flow is affected by factors such as environment, temperature, air pressure, usage, etc.
- Specification is subject to change without prior notice.
- If there is any inconsistency or ambiguity between the English version and the Chinese version, the English version shall prevail.
- Refer to [www.germanpool.com](http://www.germanpool.com) for the most update version of the user manual.

# 目錄

---

警告及注意事項 16

產品結構 18

安裝說明 19

使用說明 22

清潔與維護 23

故障檢修 24

回收和處理 24

技術規格 25

保用條款 27

# 警告及注意事項

為安全起見，初次使用產品前請先細說本說明書，並保存說明書，以便作參考之用。本產品只供家居使用。請必須依照本說明書內的指示安裝及操作。

## ⚠ 警告！

- 所有安裝工作必須由合格人員或合格的電工來執行。
- 必須嚴格按照製造商的說明，由具有適當資格的人員正確安裝本設備。
- 本設備符合所有當前的安全規例，但製造商必須強調，此合規性不能防止設備表面在使用過程中發熱並在運行過程中保持高溫。
- 在使用過程中，易觸及部件可能會變熱，幼兒應遠離，並應小心避免觸摸設備。
- 製造商強烈建議將本設備放在嬰兒和小孩接觸不到的地方。
- 如果對本產品進行安全監督或指導並瞭解其危害，則可以由8歲以上的兒童以及肢體、感覺或精神能力較弱或缺乏經驗和知識的人員使用本產品。兒童不得玩耍本產品，除非8歲以上的兒童並在有成人監督的情況下，否則兒童不得進行清潔和維護。
- 請將本產品及其電源線放在8歲以下兒童觸摸不到的地方。
- 定期檢查電源插頭和電源線是否損壞。如果電源線損壞，則必須由製造商、其服務代理商或具有類似資格的人員進行更換，以免發生危險或傷害。
- 請勿使電源線接觸設備的高溫部件。
- 確保電源線沒有被夾在設備下面或內部，並避免損壞電源電纜。
- 請勿將本設備安裝在潮濕的地方或容易漏水的地方，例如水槽下方或附近。萬一漏水，請讓機器自然乾燥。

## ⚠ 警告！

- 未按照這些說明安裝螺絲或固定裝置可能會導致電氣危險。
- 同時運行抽油煙機和帶電的設備時，房間內的負壓不得超過4Pa。
- 請妥善處理包裝材料。
- 請勿在設備附近使用易燃噴霧劑。
- 建議在使用和清潔過程中要格外小心。仔細閱讀本設備的清潔和保養部分。
- 請勿使用蒸氣清潔器。
- 本設備不能通過外部計時器或單獨的遠端控制系統進行操作。
- 本設備僅供家庭使用。



# 警告及注意事項

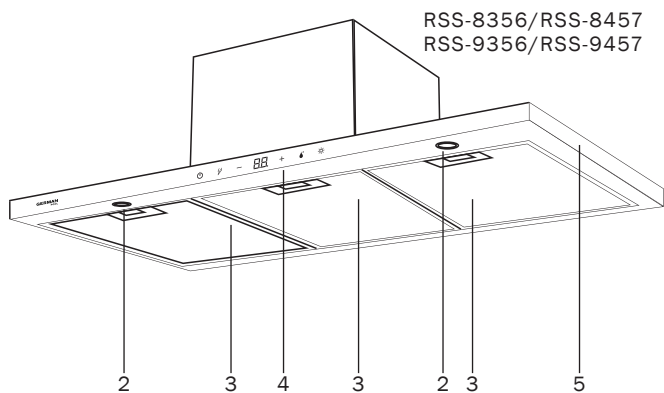
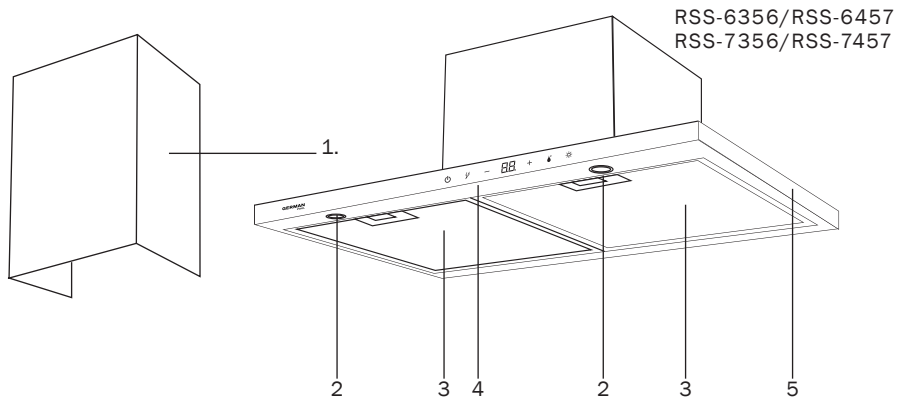
## ⚠ 警告！

- 有關煙氣出口的資訊，請參閱當地法例。請勿將通風櫃連接至通風或熱風管道。請與地方當局確認房間通風是否適當，並確保房間中設備的最大抽氣流量不超過4 Pa。如果將抽油煙機與以天然氣或其他燃料運行的器具同時使用，則房間必須有足夠的通風，不得將空氣排放到用於排出燃燒氣體或其他燃料的煙道中。必須遵守有關抽氣的規定。
- 連接抽油煙機之前，請關閉電源，並檢查提供的電壓和頻率是否與設備銘牌上指示的電壓和頻率一致。
- 在靜電釋放（例如閃電）期間，通風櫃可能會停止工作。此安全無損壞風險。請關閉抽油煙機的電源，一分鐘後重新連接。
  
- 為避免火災危險，請定期清潔金屬過濾網，並密切觀察和調節盛有熱油的鍋具。
- 如果抽油煙機有損壞或瑕疵，請不要使用，並聯絡客戶服務中心。
- 禁止在本設備下方進行火焰狀烹飪。
- 安裝設備時，請確保遵守以下規定，爐具頂部與抽油煙機底部之間的距離為：燃氣爐：750mm；電爐：650mm。
- 對於因誤用或錯誤安裝本設備而造成的人身或財產損失，製造商不承擔任何責任。
- 關於安裝方面的資訊，請參閱本手冊的以下段落。

## ⚠ 警告！

如果不按照指示進行清潔，則有觸電和火災的危險。

# 產品結構



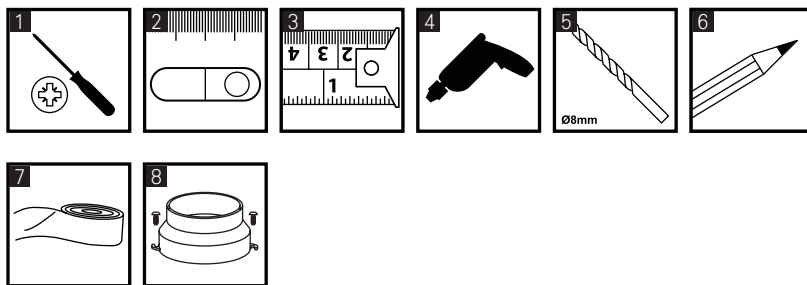
1. 裝飾煙通（另購）
2. LED照明燈
3. 過濾網（內附集油杯）
4. 控制面板
5. 機身

# 安裝說明

## 安裝前注意事項

- 為避免在使用時存在危險，請務必正確安裝此抽油煙機，並仔細閱讀安全說明，以避免誤操作和危險，請保留此說明書以備將來參考，並將其傳遞給任何使用者。
- 檢查包裝，並確保列出了所有零件。
- 打開抽油煙機包裝後，請檢查抽油煙機是否完好無損。如有疑問，請勿使用該設備。
- 如果本產品包含玻璃，請小心安裝或搬運，以免造成人身傷害或產品損壞。
- 請確定適合安裝產品的位置。
- 在本設備上的規格銘牌顯示所有訂購更換零件所需的識別資訊。
- 如果您出售、送贈或丟棄本設備，請確保將本說明書交到新使用者，以便熟悉本設備及其安全警告。

## 安裝工具

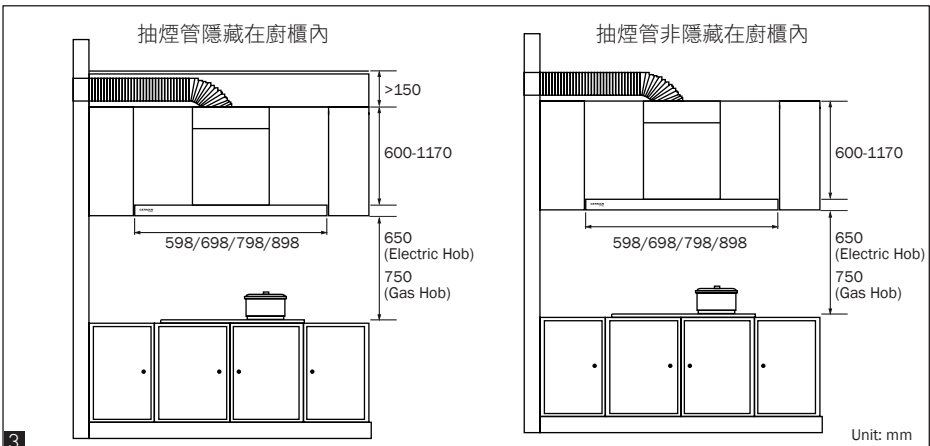
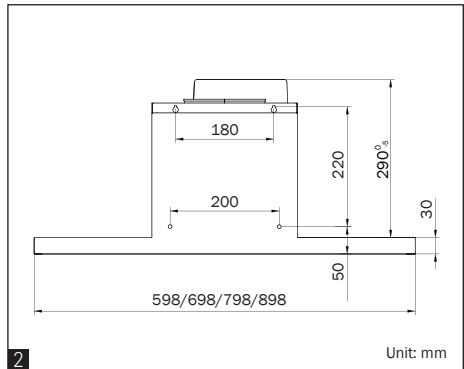
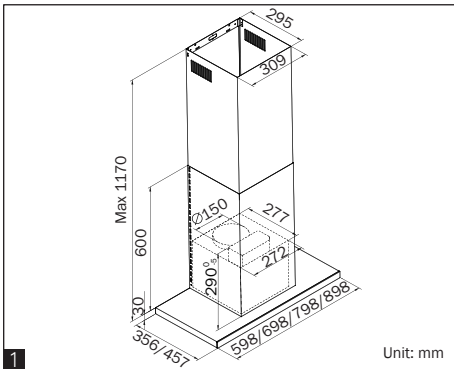


1. 十字螺絲批
2. 水平尺
3. 拉尺
4. 電鑽
5. 電鑽頭 (Ø8mm)
6. 鉛筆
7. 絕緣膠帶
8. 轉接器 (Ø150mm轉Ø120mm) 及M4\*8螺絲2顆

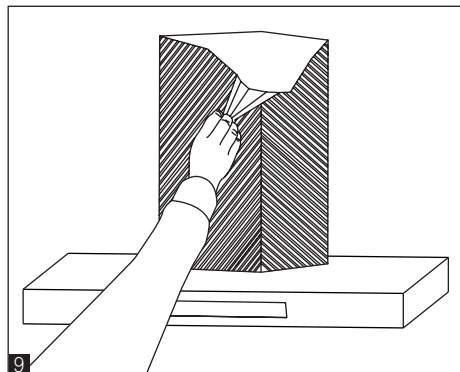
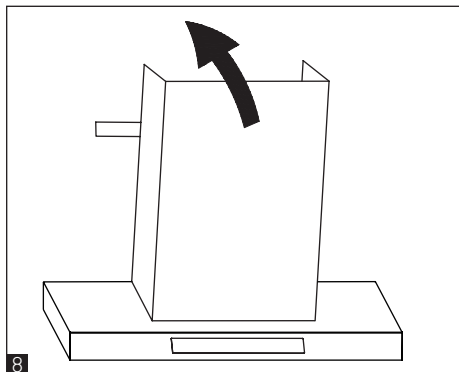
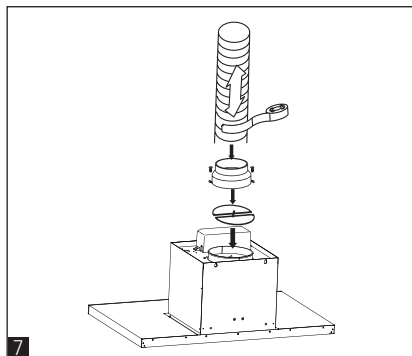
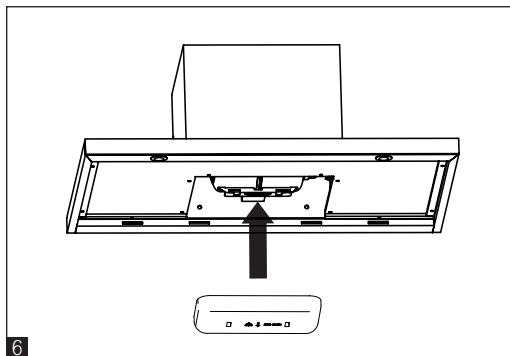
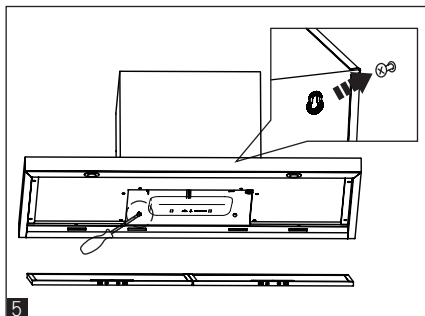
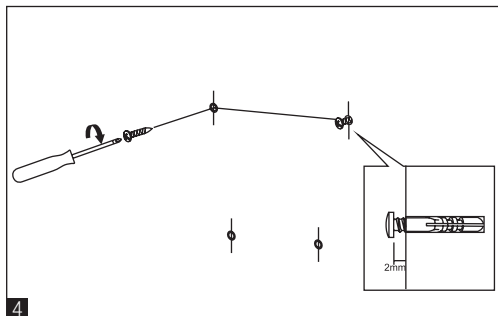
# 安裝說明

## 安裝步驟

1. 只能選擇外排出風方式；未按照這些說明安裝螺絲或固定裝置可能會導致電氣危險。
2. 在牆上標記孔的位置（如圖2）；隨附的牆壁插頭膠塞僅適用於實心牆壁。當固定在任何其他類型的牆壁上時，請使用合適的替代固定裝置。
3. 爐具頂部與抽油煙機底部之間的距離為：燃氣爐：750mm；電爐：650mm。（如圖3）
4. 在牆上標記好的位置鑽孔，打入膠塞並固定上端兩顆螺絲，螺絲頭離牆壁的距離保持2mm左右。（如圖4）
5. 在掛好抽油煙機後，再鎖緊內部2顆安全螺絲。（如圖5）
6. 打開抽油煙機鋁質濾網，安裝油杯（如圖6）。用膠帶或卡箍固定120mm或150mm的排風管，如有需要可使用 $\varnothing 150\text{mm}$ 轉120mm轉接器。（如圖7）
7. 如果有選配裝飾管，將其放在抽油煙機頂部。（如圖8）
8. 去除機身所有保護膜後，安裝完成。（如圖9）



# 安裝說明

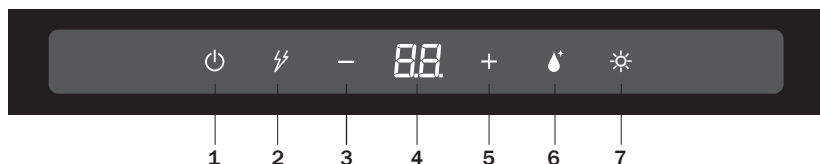


# 使用說明

## 使用前注意事項

在帶開關的保險絲連接器上啟動設備，當設備已準備就緒即可以開始使用。

## 控制面板



### 1. 開關鍵

- 按鍵1次開機。
- 產品運行期間按鍵1次進入90秒倒數關機功能；在90秒倒數關機功能結束前，再按1次直接關機。在90秒倒數關機過程中，LED顯示屏閃爍顯示當前檔位，開關鍵閃爍，以示90秒倒數關機在進行中。

### 2. 超頻模式鍵

按鍵啟動超頻模式，顯示屏閃爍HF和超頻模式鍵閃爍，進行3分鐘倒計時，計時結束回復Turbo Boost超頻模式之前的檔位。如需立即退出超頻模式，再按一次此鍵，產品即回復至超頻模式前的檔位。在超頻模式期間，按開關鍵進入90秒倒數關機，開關鍵及超頻模式鍵閃爍，倒數完畢後產品自動關機。

### 3. 減速鍵

每次按鍵風速檔位降一級。

### 4. LED顯示屏

### 5. 增速鍵

每次按鍵風速檔位升一級。

### 6. 自動電熱除油清潔功能鍵

待機模式下，長按鍵3秒，啟動電熱除油清潔功能，顯示屏閃爍HH，自動電熱除油清潔功能鍵閃爍進入11分鐘倒計時，前10分鐘為加熱溶解機內油污，最後1分鐘為摩打運行排走油污；運行期間長按鍵3秒以關閉此功能。

### 7. 照明鍵

按鍵開燈或關燈。

## 智能手勢控制

在控制面板前約8cm距離內進行手勢操控，揮手時的手勢範圍需覆蓋整個控制台。

### 從左至右揮手

啟動抽油煙機，此時電機和燈均打開，電機保持在上一次關機的記憶檔位。開機後再從左至右揮手，提升風速檔位一級。

### 從右至左揮手

關閉摩打和照明燈。

# 清潔與維護

## ⚠ 警告！

清潔及維護本產品前，必須先關機及關閉菲士接線蘇。

## 日常清潔

為避免集油杯滿溢，建議每星期至少清潔一次集油杯；如經常使用本產品，應增加集油杯清潔頻率。

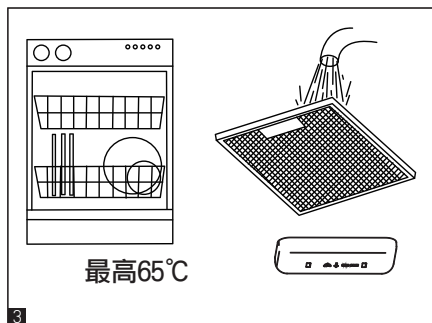
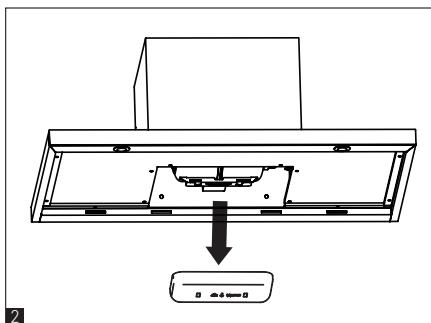
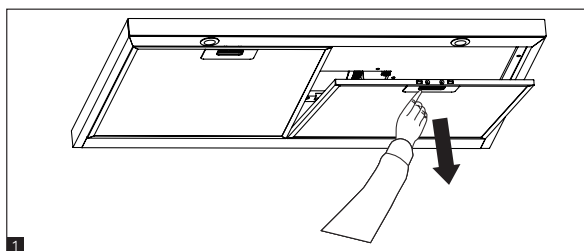
## 清洗集油杯及過濾網

為避免起火，每月或每次使用電熱除油功能後，請徹底清潔集油杯，及每星期清潔鋁質過濾網。卸下集油杯後，以熱水和清潔劑浸泡一小時。如果使用洗碗機清潔，清洗溫度請勿高於65°C。

1. 按住過濾網上的卡扣向外拉出，小心握緊過濾網以防跌落(圖1)。
2. 將集油杯稍微向外拉，取下集油杯(圖2)。
3. 油杯及鋁網可以混合中性清潔精的熱水浸泡1小時，然後以清水沖洗乾淨，徹底風乾後再裝上。鋁網亦可放洗碗機中清洗。嚴禁以超過65°C的熱水浸泡或清洗鋁網。

## 注意：

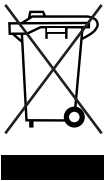
如每天使用抽油煙機2小時以上，請增加集油杯清潔/更換頻率，並必須使用原裝濾網。



# 故障檢修

故障現象	原因分析	處理方法
過度振動	產品未正確安裝在支架上	檢查產品是否正確固定
	風扇葉片已損壞	關閉產品，聯絡客戶服務及維修中心
	風扇摩打未牢固固定	
風扇葉片被卡住		
燈亮但摩打不運作	摩打損壞	檢查電源
	燈泡損壞	
燈和摩打不運作	電源連接不穩固	檢查電源
	速度檔位可能太低	選擇更高的速度檔位
抽吸性能低	產品與爐頭之間的距離太大	重新調整距離至： 燃氣爐：750mm 電爐：650mm
	頂部通風孔可能被阻塞	清除任何障礙物
	可選的排氣套件可能會扭曲	確保所選排氣套件符合製造商的說明

# 回收和處理



廢棄電子產品不應與生活垃圾一起處理，請向地方當局或零售商諮詢有關回收的建議。

產品或其包裝上的符號表示該產品不能作為普通家庭垃圾處理，該產品必須移交給電氣和電子設備收集點以進行回收。

在確保正確處理本產品時，您將避免由於不正確處理本產品而對環境和公眾健康造成的負面影響。要獲取有關此產品回收的更詳細資訊，請與政府、廢物處理服務或購買該產品的商店聯繫。



# 技術規格

型號	RSS-6356	RSS-6457
電壓 / 頻率	220 - 240 V ~ 50 / 60 Hz	220 - 240 V ~ 50 / 60 Hz
功率 (最大)	303 W	303 W
照明燈	1.5W*2	1.5W*2
摩打轉速	Max. 2,800 RPM	Max. 2,800 RPM
排風量	1,000 m3/h	1,000 m3/h
機身尺寸 (含摩打, 不含裝飾管)	(H) 320 mm (W) 598 mm (D) 356 mm	(H) 320 mm (W) 598 mm (D) 457 mm
淨重	8 kg	9 kg

型號	RSS-7356	RSS-7457
電壓 / 頻率	220 - 240 V ~ 50 / 60 Hz	220 - 240 V ~ 50 / 60 Hz
功率 (最大)	303 W	303 W
照明燈	1.5W*2	1.5W*2
摩打轉速	Max. 2,800 RPM	Max. 2,800 RPM
排風量	1,000 m3/h	1,000 m3/h
機身尺寸 (含摩打, 不含裝飾管)	(H) 320 mm (W) 698 mm (D) 356 mm	(H) 320 mm (W) 698 mm (D) 457 mm
淨重	8.5 kg	9.5 kg

型號	RSS-8356	RSS-8457
電壓 / 頻率	220 - 240 V ~ 50 / 60 Hz	220 - 240 V ~ 50 / 60 Hz
功率 (最大)	303 W	303 W
照明燈	1.5W*2	1.5W*2
摩打轉速	Max. 2,800 RPM	Max. 2,800 RPM
排風量	1,000 m3/h	1,000 m3/h
機身尺寸 (含摩打, 不含裝飾管)	(H) 320 mm (W) 798 mm (D) 356 mm	(H) 320 mm (W) 798 mm (D) 457 mm
淨重	9 kg	10.3 kg

# 技術規格

---

型號	RSS-9356	RSS-9457
電壓 / 頻率	220 - 240 V ~ 50 / 60 Hz	220 - 240 V ~ 50 / 60 Hz
功率 (最大)	303 W	303 W
照明燈	1.5W*2	1.5W*2
摩打轉速	Max. 2,800 RPM	Max. 2,800 RPM
排風量	1,000 m3/h	1,000 m3/h
機身尺寸 (含摩打, 不含裝飾管)	(H) 320 mm (W) 898 mm (D) 356 mm	(H) 320 mm (W) 898 mm (D) 457 mm
淨重	9.5 kg	11 kg

- 本產品排風量可能因應環境、溫度、氣壓、使用量等因素而出現誤差。
- 產品規格及設計如有變更，恕不另行通知。
- 中英文版本如有出入，一概以英文版為準。
- 本產品使用說明書以[www.germanpool.com](http://www.germanpool.com)網上版為最新版本。

# 保用條款

# Warranty Terms & Conditions

此保用提供德國寶產品之機件在正常使用下壹年保用(自購買日起計算)。

Under normal operations, the product will guarantee a 1-year full warranty provided by German Pool (effective from the date of purchase).

\*貴戶須在購機十天內，以下列其中一種方式向本公司登記資料，保用手續方正式生效：

- 1) 填妥德國寶VIP手機應用程式保用登記表(掃描右方二維碼)
- 2) 填妥本公司網頁保用登記表  
[www.germanpool.com/warranty](http://www.germanpool.com/warranty)
- 3) 填妥保用卡郵寄至本公司



\* This warranty is not valid until customer registration information is received by our Service Centre within 10 days of purchase via one of the following means:

- 1) Visit our VIP App and register online:  
(Scan the QR Code on the right)
- 2) Visit our website and register online:  
[www.germanpool.com/warranty](http://www.germanpool.com/warranty)
- 3) Complete the attached Warranty Card and mail it back to our Customer Service Centre.



另請填妥以下表格並與正本發票一併保存，以便維修時核對資料。用戶提供之所有資料必須正確無誤，否則免費保用將會無效。Please fill out the form below. This information and the original purchase invoice will be required for any repairs. Warranty will be invalidated if information provided is found to be inaccurate.

型號 Model No. :  RSS-6356  RSS-7356  RSS-8356  RSS-9356  
 RSS-6457  RSS-7457  RSS-8457  RSS-9457

發票號碼 Invoice No. : \_\_\_\_\_

機身號碼 Serial No. : \_\_\_\_\_

購買商號 Purchased From : \_\_\_\_\_

購買日期 Purchase Date : \_\_\_\_\_

1. 未能出示購買發票正本者，將不獲免費維修服務。
2. 用戶應依照說明書的指示操作。本保用並不包括：
  - 上門安裝、檢驗、維修或更換零件之人工以及一切運輸費用；
  - 因天然與人為意外造成的損壞(包括運輸及其他)；
  - 電源接合不當、不依說明書而錯誤或疏忽使用本機所引致之損壞。
3. 於下列情況下，用戶之保用資格將被取消：
  - 購買發票有任何非認可之刪改；
  - 產品被用作商業或工業用途；
  - 產品經非認可之技術人員改裝或加裝任何配件；
  - 機身編號被擅自塗改、破壞或刪除。
4. 總代理有權選擇維修或更換配件或其損壞部份。
5. 產品一經被轉讓，其保用即被視作無效。

1. Customer who fails to present original purchase invoice will not be eligible for free warranty service.
2. Customer should always follow the operating instructions. This warranty does not apply to:
  - labour costs for on-site installation, check-up, repair, replacement of parts and other transportation costs;
  - damages caused by accidents of any kind (including material transfer and others);
  - operating failures resulting from applying incorrect voltage, improper usage, and unauthorized installations or repairs.
3. This warranty is invalid if:
  - the purchase invoice is modified by an unauthorized party;
  - the product is used for any commercial or industrial purposes;
  - the product is repaired or modified by unauthorized personnel, or unauthorized parts are installed;
  - the serial number is modified, damaged or removed from the product.
4. German Pool will, at its discretion, repair or replace any defective part.
5. This warranty will be void if there is any transfer of ownership from the original purchaser.

## 客戶服務及維修中心

香港

澳門

九龍大業街59號

澳門青洲大馬路(青洲新路)

三湘九龍灣貨運中心地下B室

515號美居廣場第二期1樓A座

電話：+852 2773 2888

電話：+853 2875 2699

傳真：+852 2356 9798

傳真：+853 2875 2661

電郵：[repairs@germanpool.com](mailto:repairs@germanpool.com)

## Customer Service & Repair Centre

Hong Kong

Macau

Unit B, G/F, Sunshine Kowloon Bay

A, 1 Andar, Mei Kui Kuong

Cargo Centre, 59 Tai Yip Street,

Cheong Faze 2, No.515 Avenida

Kowloon, Hong Kong

Do Conselheiro Borja Macau

Tel : +852 2773 2888

Tel : +853 2875 2699

Fax : +852 2356 9798

Fax : +853 2875 2661

Email : [repairs@germanpool.com](mailto:repairs@germanpool.com)

此保用只適用於香港及澳門

This warranty is valid only in Hong Kong and Macau

## German Pool (Hong Kong) Limited



香港 (S MARK)  
安全認證



中國電器/電器行業  
十大影響力品牌

CEO

CEO非凡品牌大賞



香港優質商標



香港工商業獎



最具昇管  
創建品牌企業獎



香港中小企業  
最佳拍檔大獎



香港消費者推銷品牌



香港 (Q 標)  
優質服務證書



香港名牌十年成就獎  
HONG KONG TOP BRAND TEN YEAR  
ACHIEVEMENT AWARD

© All rights reserved. Copying, reproducing or using the contents of this manual is not allowed without prior authorization from German Pool, violators will be prosecuted.