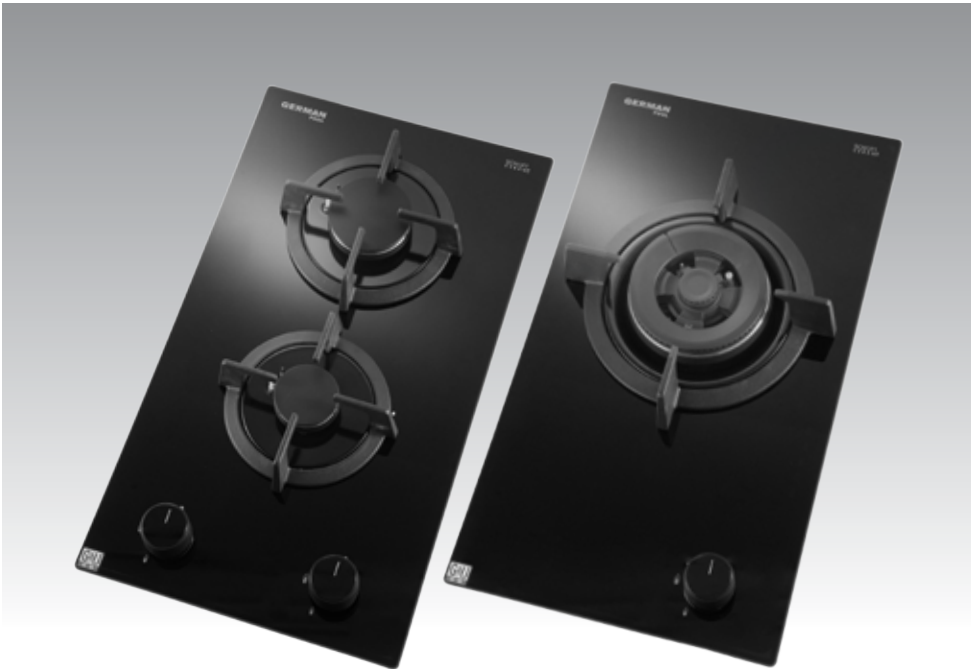


Built-in Gas Cooking Range

GP13-P1-LG/TG
GP13-P2-LG/TG



Online Warranty Registration



Please read these instructions and warranty information carefully before use and keep them handy for future reference.

USER MANUAL

Table of Contents

Warnings & Safety Precautions	03
Product Structure	05
Installation Instructions	06
Operation Instructions	09
Cleaning & Maintenance	10
Troubleshooting	11
Technical Specification	12
Warranty Terms & Conditions	23

Warnings & Safety Precautions

WARNING!

- Read all instructions carefully before using this product.
- This product is not intended for use by children or persons with reduced physical, sensory or mental capabilities, or lack of experience and knowledge, unless they have been given supervision or instruction concerning use of this product by a person responsible for their safety.
- Mind your children and DO NOT let children play with this product.
- Cleaning and user maintenance shall not be made by children without supervision.
- Check the “Gas type”, “Gas working pressure”, “Rated heat input” indicated on the rating label before using this product.
- This product is for domestic indoor use only.
- If the gas connection piping is damaged, it must be replaced by the manufacturer, its service agent or similarly qualified persons in order to avoid hazards.
- Make sure the ignition knob is at “●” position and the gas cooker has completely cooled down before cleaning and maintenance.
- Contact German Pool authorized service technician for repair or maintenance of this product.

Notice Before Use

Important

For safety purposes, you should read the instructions carefully before using the appliance for the first time. Save the instructions for future reference.

The appliance is designed for domestic use and may only be installed and operated in accordance with these instructions for use.

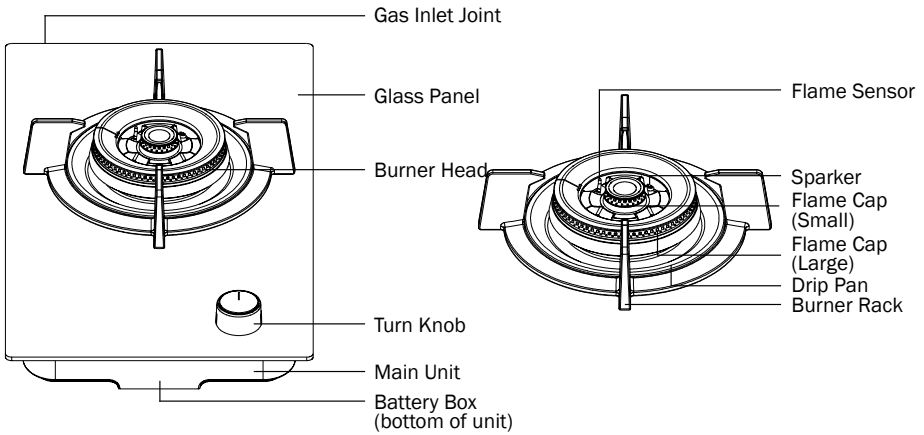
1. The cooking range must be installed by registered gas installers.
2. Ensure that the cooking range is used with good ventilation. Environment with insufficient oxygen should be avoided.
3. This built-in range is to be used for cooking only. DO NOT dry towels, clothes etc. over it.
4. During long period of use, open window or exhaust fan to ensure good ventilation.
5. Check that all control knobs have been set to “●” position after use.
6. If the flame is blown out during use, the safety valve will cut off gas supply. Ignite again after at least 1 minute.
7. Take extra care when cooking oil or fat. High temperature of oil or fat may cause fire hazard.
8. To avoid hazard, DO NOT use spray or compressed gas when the cooking range is in use.
9. After ignition, check if the flame is even and normal. Before removing cookware away from the flame, always set to small flame or “●” position.
10. To avoid damage to the cooking range, DO NOT place any hot mat between the range rack and the utensil.
11. DO NOT use burner rack other than the one provided. Otherwise, it will cause overheat to the range surface.
12. DO NOT use over-size or over-weight utensils. Or it will cause excessive heat to be reflected back onto the range surface.
13. Place the utensil steadily on the range rack. DO NOT tilt the utensil.

Warnings & Safety Precautions

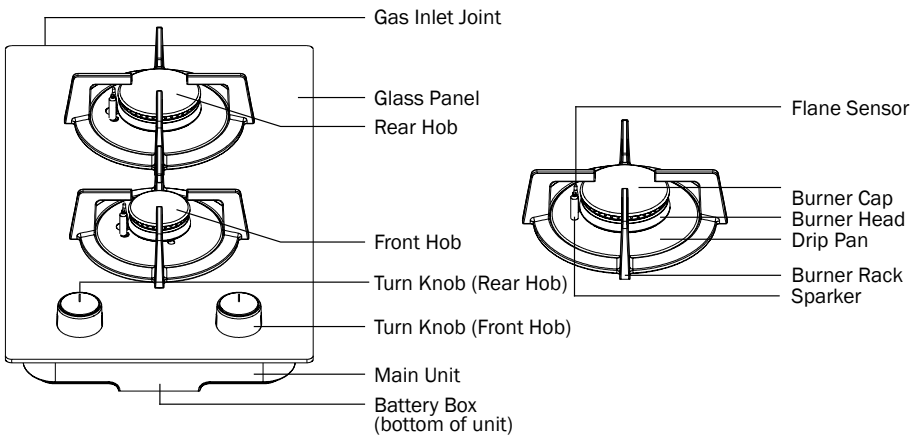
14. Contact German Pool Customer Service and Repair Centre for repair and parts replacement. During guarantee period, German Pool reserves the right to charge for spare parts and service fees if the damage is caused by misuse or improper installation.
15. When installing built-in gas hob on top of stove cabinet, please check that there is provision for ventilation at the cabinet to ensure proper operation of the gas hob.
16. DO NOT store any flammable materials, sprays or pressurised containers inside the stove cabinet.
17. The panel of this built-in hob is made of tempered glass which is safer than normal glass for this application. However, the following safety precautions for using built-in hob with glass top panel should also be noted in order to prevent the glass top panel from breaking:
 - I. Clean the burner assembly frequently to maintain a clear gas passage on the flame distributor. Clean and tidy up the flame distributor after spillage of food and liquid once the burner assembly cooled down.
 - II. Turn off the gas appliance immediately if abnormal noise propagates from the gas appliance and contact gas supply company or gas hob importer for inspection.
 - III. DO NOT use oversized utensils for cooking, utensil size should be less than 34cm.
 - IV. DO NOT impact the glass surface with hard objects or place heavy objects on the glass surface.
 - V. Maximum load weight for this gas hob is 10kg.
18. DO NOT leave the gas stove unattended while cooking.

Product Structure

GP13-P1-TG/GP13-P1-LG



GP13-P2-TG/GP13-P2-LG



Installation Instructions

WARNING!

The gas cooking range must be installed by registered gas installers (RGI). Otherwise, German Pool will not be held responsible for any damages.

Attention:

- The use of a gas-cooking appliance produces heat and moisture. Please ensure that the kitchen is well ventilated. It is recommended to keep natural ventilation windows open or install a mechanical ventilation device (exhaust fan or range hood). For prolonged intensive use of the appliance, additional ventilation is required, for example opening windows or doors, or increasing the level of mechanical ventilation where present.
- Install the built-in hob in a well ventilated room and keep it away from any combustible or inflammable objects such as paper or oil.
- Place the built-in hob on a stable and level surface.
- If the unit is to be installed close to combustible surroundings (such as wooden walls, wooden shelves), it should be installed at least 15 cm (6") from the side walls. The unit should be installed with a distance of at least 15 cm away from surrounding combustible materials.
- Leave at least 25 mm (1") gap between the underside of the cooking range and the countertop/cabinet shelf board below.
- External gas governor is not required.

I. Room Ventilation

The kitchen should have no less than 20m³ air volume for regular gas combustion and be kept well ventilated at all time. Air must be able to naturally flow through the permanent opening in the walls (eg. windows and doors) of the room.

These openings must be able to vent the fumes outdoors and their openings must be at least 100cm², and ensure that they should never be blocked. Indirect ventilation by air drawn from an adjacent room is also permitted, in strict compliance with any local regulation in force.

II. Gas Ventilation

Attention:

According to the Gas Safety Ordinance of Hong Kong, any gas installation works including the installation of appliances and connection tubing, must be undertaken by registered gas installers (RGI) who are registered for that appropriate classes and be employed by registered gas contractors.

Before connecting the appliance, check that the specifications on the data label affixed to the underside of the hob correspond to those of the gas and electricity mains in the house. A label on the appliance indicates the regulating conditions: Type of gas and working pressure. Gas connection must comply with the pertinent standards and provisions in force. The size of the gas inlet is ½ inch.

Installation Instructions

A. LPG Connection

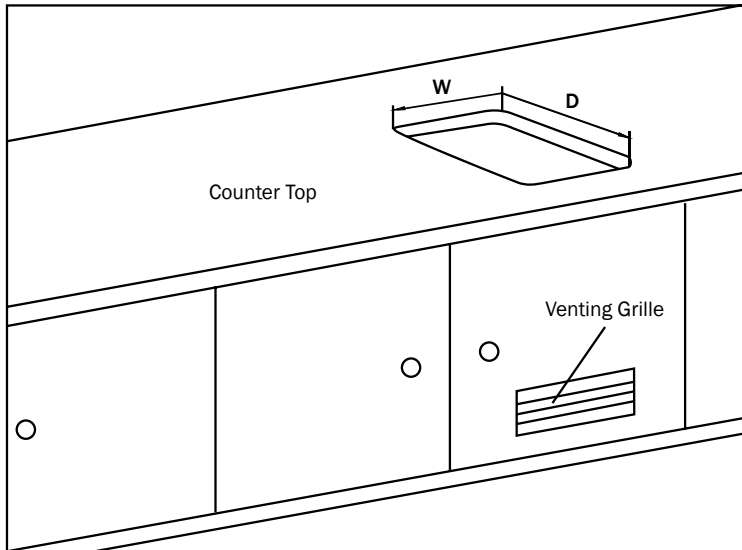
- Tubing connection: please use approved tubing made of rubber, parts and gas cock bearing EMSD approval marking (eg. EMSD APPROVAL GTXXXX), or other appropriate methods accepted by EMSD, for connecting from ½ inch B.S.P. thread at the back of the unit to the gas supply point.
- Stainless steel braided flexible hose connection: please use approved stainless steel braided flexible tubing, parts and gas cock bearing EMSD approval marking (eg. EMSD APPROVAL GTXXXX), or other appropriate methods accepted by EMSD, for connecting from ½ inch B.S.P. thread at the back of the unit to the gas supply point.

B. Towngas Connection

Please use approved stainless steel braided flexible tubing and gas cock bearing EMSD approval marking (eg. EMSD APPROVAL GTXXXX), or other appropriate methods accepted by EMSD, for connecting from ½ inch B.S.P. thread at the back of the unit to the gas supply point.

III. Cut-out Dimensions

Model No.	W (mm)	D (mm)
GP13-P1-TG GP13-P1-LG	265	490
GP13-P2-TG GP13-P2-LG	265	490



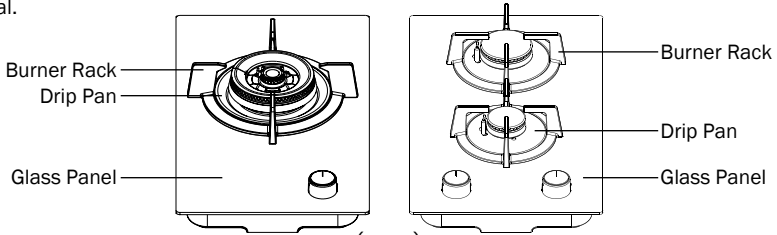
Installation Instructions

IV. Correct Position of Burner Rack & Burner Cap

Make sure that the following parts are fitted properly before use.

A. Burner Rack

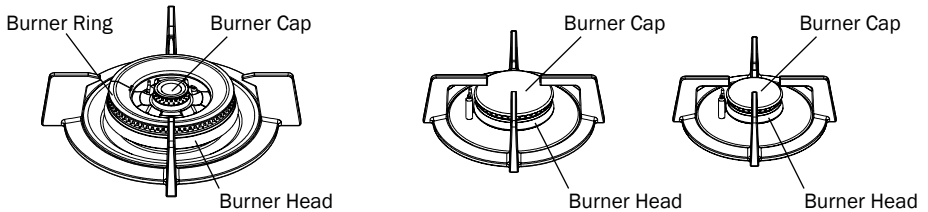
Fit burner rack onto Drip Pan (Fig. 1). DO NOT tilt the placement, otherwise it will cause the fire to be abnormal.



(Fig.1)

B. Burner Head

Install the Burner Cap and Burner Ring onto Burner Head (Fig.2), DO NOT tilt or leave a gap during installation (Fig.3). If either is incorrectly placed, using the cooking range may cause the burner head to deform, or the glass may break, or increase the risk of releasing carbon monoxide (CO).



GP13-P1-TG/GP13-P1-LG

GP13-P2-TG/GP13-P2-LG

(Fig.2)



(Fig.3)

Operation Instructions

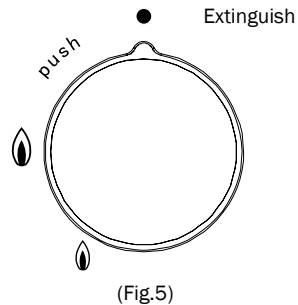
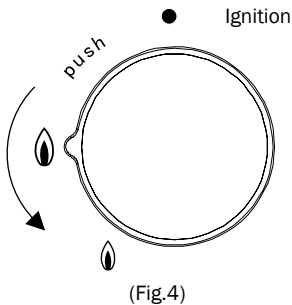
⚠ WARNING!

All cooking ranges must be installed, tuned and connected by registered gas installers. DO NOT install or repair the cooking range yourself.

DO NOT use additional fitting, such as aluminium foil.

DO NOT clean the top of the sensor with a hard brush or sharp object, as they may damage the sensor.

1. While pushing the control knob, turn it to the left (towards the “🕒” position) slowly until you hear a ‘clicking’ sound. Electronic spark will ignite burners. Release your hand after confirming the burners are ignited. The hob has automatic continuous ignition function, DO NOT continue pushing the control knob after ignition. ‘Click’ sound and spark will stop automatically after 6-8 seconds.
2. If the flame goes out when you release your hand, repeat the ignition procedure again but try releasing your hand slowly.
3. Turn Control Knob to adjust flame to desirable setting.
4. Turn the Control Knob slowly to adjust the flame intensity between “●” and “🕒”. (Fig.4).
5. If the flame extinguishes during use, the safety device will automatically shut off the gas supply. When this happens, turn the Ignition Control Knob knob to “●” position.
6. Turning the knob backwards to the “●” position will extinguish the burner.(Fig.5)



Note:

- When operating at low flame, DO NOT open the cabinet door beneath the cooking range in a quick motion, otherwise the flame may be extinguished by air draft.
- When decreasing flame power from maximum to medium, if flame of the outer ring burner becomes unstable (weak or extinguished), increase the flame power until flame of outer ring burner is stable, or simply decrease flame power by using only the inner burner ring.
- When the cooking range has been operating for 30 minutes, the glass panel and control knobs may become hot due to the heat from the flame. When using the control knobs, please use a moist towel to cool down before usage.
- A soft pop sound may be generated when the flame is extinguished, due to instant combustion of gas remaining in the burner. This is a normal phenomenon.

Operation Instructions

Flame Failure Safety Device

- If the flame extinguishes during use, the automatic flame failure safety device will shut off gas supply to the cooking range. When this happens, turn the knob to “●” position.
- The safety sensor is very delicate –DO NOT use hard brushes or rough cleaning pads when cleaning it.
- Aeration is preset at factory. DO NOT attempt to adjust it.

Cleaning & Maintenance

WARNING!

DO NOT clean the unit when it is hot. Wait until the cooker range has completely cooled down before cleaning.

Cleaning The Cooker Range

- Wipe the glass panel with a soft damp cloth and mild detergent.
- Wash the burner racks and burner heads with warm water and detergent.

WARNING!

Clean the burner assembly frequently to maintain a clear gas passage on the flame distributor. Clean and tidy up the flame distributor after spillage of food and liquid once the burner assembly cooled down.

Changing The Battery

- Battery Box is located on the underside of the product. Open the door of battery box and change the battery (DC1.5V).
- Ensure polarity connection (“+” and “-”) of the battery is correct.

Troubleshooting

Problem	Possible cause	Solution
No ignition	Gas valve not open or gas is used up	Open gas valve or change gas supply
	Air in the gas tubing	Prolong ignition time and repeatedly ignite till air is vented out
	Gas hose is bent	Straighten gas hose
	Injector is clogged	Contact Customer Service & Repair Centre or registered gas installer (RGI) to clear blockage
	Ignition plug has soot or is in wrong position	Contact Customer Service & Repair Centre or RGI to clear or adjust the plug
	Flame holes of burner cap are blocked by water or filth	Clean and dry burner cap
Gas smell	Gas tubing has aged	Contact Customer Service & Repair Centre or RGI to change a new gas tubing
	Main fire of burner not lighted	Re-ignite after the gas has dispersed
	Valve leak	Contact Customer Service & Repair Centre or RGI to change a new valve
Weak flame	Gas pressure too low	Contact Customer Service & Repair Centre or RGI to check gas supply or whether gas regulator is clogged
	Ports of burner cap are clogged	Clean ports
	Air hole is not properly adjusted	Contact Customer Service & Repair Centre or RGI to re-adjust air hole for proper air flow

⚠ WARNING! If the cooking range still fails to ignite after following the above suggested solutions, DO NOT attempt to ignite by other means. Please contact German Pool Customer Service & Repair Centre.

Technical Specification

Model	GP13-P1-TG	GP13-P1-LG	GP13-P2-TG	GP13-P2-LG
Gas Type	H.K. Towngas	H.K. LP Gas	H.K. Towngas	H.K. LP Gas
Gas Working Pressure	1500 Pa	2900 Pa	1500 Pa	2900 Pa
Power	6.0kW	5.0kW	2.5/1.3kW	1.8/1.1kW
Ignition Method	Instant Ignition Delay Technology			
Safety Device	Yes			
Product Dimensions	(H) 125 (W) 290 (D) 515 mm		(H) 115 (W) 290 (D) 515 mm	
Weight	5.8 kg		5.7 kg	

- Specification is subject to change without prior notice.
- If there is any inconsistency or ambiguity between the English version and the Chinese version, the Chinese version shall prevail.
- Refer to www.germanpool.com for the most updated version of the User Manual.

目錄

警告及注意事項 14

產品結構 15

安裝說明 16

使用說明 19

清潔與保養 20

故障檢修 21

技術規格 22

保用條款 23

警告及注意事項

⚠ 警告！

- 使用本產品前，請仔細閱讀所有說明。
- 請勿讓兒童或身體有殘障、精神不健全及對本產品缺乏經驗或知識的人士單獨使用本產品；如需使用，必須要在負責任的成年人監管下方可使用。
- 應照顧好兒童，確保他們不會玩耍本產品。
- 無成年人監管下，勿讓兒童清潔及維護本產品。
- 使用前，請先檢查家居的「氣體類別」及「操作壓力」及「額定熱負荷」是否與本產品標籤上的規格相符。
- 本產品只宜在家居室內使用。
- 如果氣體接駁喉管損壞，為免發生意外，喉管必須由廠方、廠方指定的維修中心或同等合格的技術人員進行更換。
- 清潔或維護本產品前，必須先確保爐掣已轉回至「●」關機位置，並確保爐具已完全涼卻後方可進行。
- 請聯繫德國寶授權的技術人員進行維修或保養本產品。

注意事項

重要說明

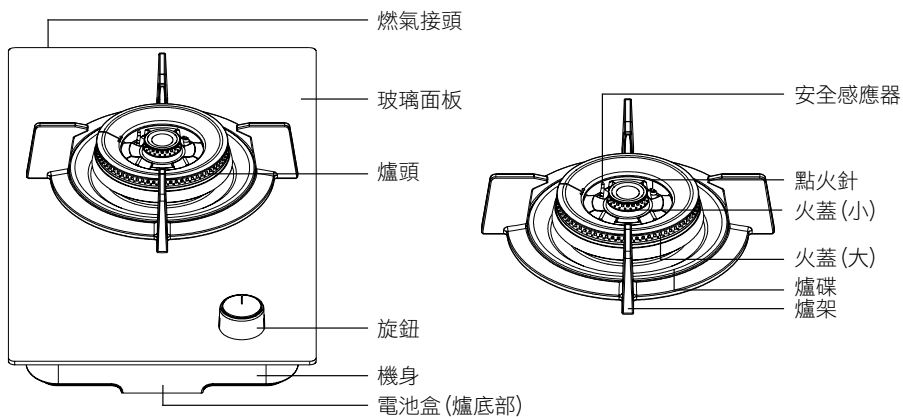
為安全起見，初次使用產品前請先細閱本說明書，並保存說明書，以便作參考之用。

本產品只供家居使用。請必須依照本說明書內的指示安裝及操作。

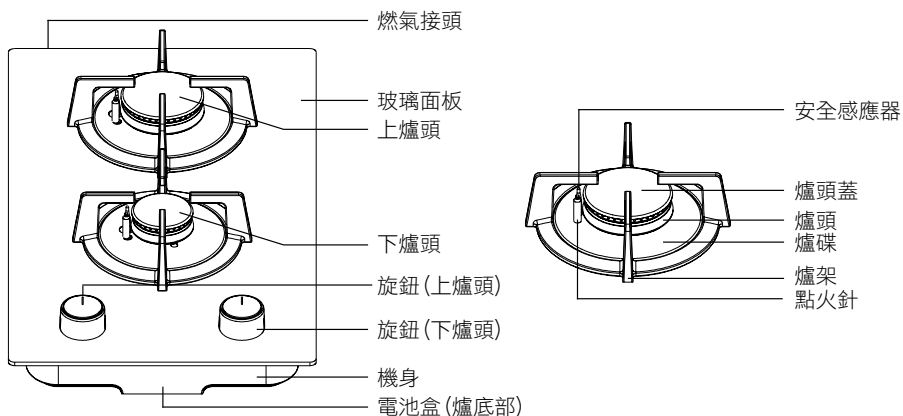
1. 必須由註冊氣體裝置技工安裝此爐具。
2. 請確保爐具使用範圍內通風良好，避免室內缺氧。
3. 此爐具只適用於烹飪，不可用於烘乾衣物、毛巾等。
4. 長時間使用時，請打開窗戶或開啟抽風設備，確保室內空氣流通。
5. 使用爐具後請檢查所有控制鍵有否扭回「●」位置。
6. 如爐火於使用中意外地被吹熄，安全閥會自動切斷氣源，於一分鐘後才可重新點火。
7. 煮油或脂肪時請特別小心控制爐火，因此類食物很容易因過熱而搶火。
8. 使用爐具時，請勿使用噴霧劑或壓縮氣體等，以免發生危險。
9. 於點火後檢查爐火是否平均正常；拿走煮食器皿時，先把爐火調小或關閉。
10. 請勿放置任何吸熱墊等物品於爐架與煮食器皿之間，避免對爐具造成嚴重損壞。
11. 請勿取出爐架配用其他鑊架等，以免令爐面過熱損壞。
12. 請勿用過大或過重之煮食器皿壓於爐架上，以免損壞爐架及令過多熱量反射回爐面，造成損壞。
13. 把煮食器皿穩固放於爐架正中位置，避免傾側。
14. 如需維修或更換零件，請與本公司維修部聯絡，並必須使用原廠配件。在保養期內，如因人為損壞、錯誤或不恰當使用爐具而導致之損壞，本公司會收取零件及維修費用。
15. 當在灶櫃面安裝嵌入式氣體煮食爐時，灶櫃應設有透氣設施，以確保煮食爐在使用時操作正常。
16. 不應將易燃物料、噴霧及壓縮容器放置於灶櫃內。
17. 此煮食爐的面板是用強化玻璃製造，較一般玻璃安全。惟使用嵌入式玻璃面板煮食爐時，還須注意以下事項，以避免玻璃面板爆裂：
 - I. 經常清潔爐頭組件以保持爐頭蓋上的火焰孔暢通，如滾瀉食物及汁液，應在爐頭組件冷卻後盡快作妥善清理。
 - II. 如煮食爐出現不尋常聲音，應即停用並安排氣體供應公司或德國寶客戶服務及維修中心檢查。
 - III. 切勿使用過大的器皿，煮食器皿直徑應小於34cm。
 - IV. 切勿以硬物撞擊或將重物放置於玻璃面板上。
 - V. 本煮食爐的最高負載重量為10公斤。
18. 嚴禁使用者在煮食時遠離氣體煮食爐。

產品結構

GP13-P1-TG/GP13-P1-LG



GP13-P2-TG/GP13-P2-LG



安裝說明

⚠ 警告！

所有爐具必須由註冊氣體裝置技工安裝，切勿自行安裝，否則一切後果本公司概不負責。

注意：

- 使用氣體煮食爐時會產生熱氣及濕氣，廚房必須保持空氣流通。可開啟自然風窗口或安裝抽氣或排氣裝置。長時間不斷使用氣體煮食爐，必須提供額外的通風設備，如打開窗戶或使用有效的通風裝置。
- 爐具須安裝在空氣流通房間內，附近不可放置易燃物品如紙張、油類等。
- 爐具須放置在穩固之平面上。
- 如要安裝爐具於易燃物料附近(如木牆、木架)，兩側須距離15厘米(6英寸)以上，此爐具的安裝位置應與周圍易燃物料距離15厘米以上。
- 爐的底部距離下面檯面不少於25毫米(1英寸)。
- 不需安裝外置氣體穩壓器。

I. 房間內通風

保持正常氣體燃燒及有關房間通風所需之空氣量，體積必須不少於20m³。空氣應自然流經房間內的固定窗戶或通風口。窗戶或通風口面積最少為100cm²，並確保不被阻塞。通風系統須符合有關法例，亦可接受從隔鄰房間抽取空氣的間接通風系統。

II. 氣體接駁

注意：

- 根據香港氣體安全條例，任何氣體裝置工程，包括爐具和接駁喉管的安裝，必須由註冊氣體裝置技工執行，而該技工已於相關的氣體工程類別註冊及受聘於註冊氣體工程承辦商。
- 安裝前先查看爐具底部標貼列出的規格是否與安裝地點的氣體及電力供應系統互相符合。爐具標貼列明氣體類別及操作壓力。氣體接駁必須符合有關法例。入氣咀的直徑為½吋。

A. 石油氣接駁

- 使用全橡膠材料軟喉接駁：請使用合格印有機電工程署批准標記(例如：機電工程署批准EMSD APPROVAL GTXXXX字樣)之全橡膠材料軟喉、配件及氣掣，或使用機電工程署接納的其他恰當方法進行接駁，由爐後面喉咀接駁至供氣點。
- 使用不銹鋼網喉接駁：請使用合格印有機電工程署批准標記(例如：機電工程署批准EMSD APPROVAL GTXXXX字樣)之不銹鋼網喉、配件及氣掣，或使用機電工程署接納的其他恰當方法進行接駁，由爐後面½吋B.S.P. 喉牙接駁至供氣點。

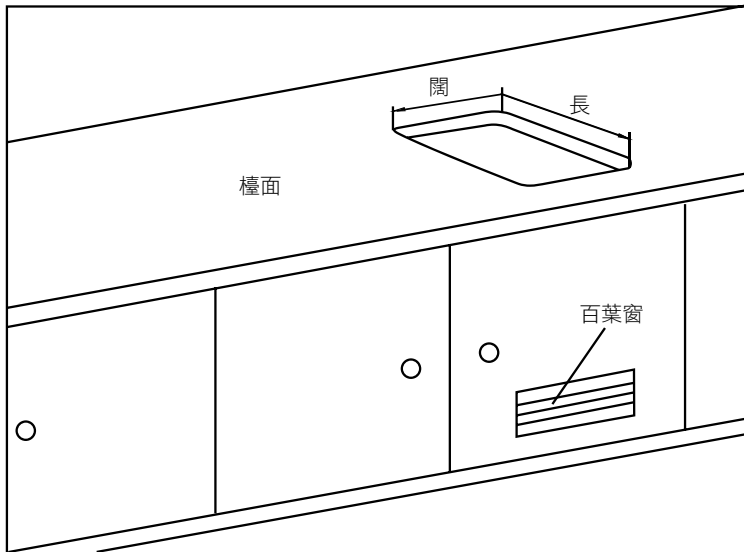
B. 煤氣接駁

請使用合格印有機電工程署批准標記(例如：機電工程署批准EMSD APPROVAL GTXXXX字樣)之不銹鋼網喉、配件及氣掣，或使用機電工程署接納的其他恰當方法進行接駁，由爐後面½吋B.S.P.喉牙接駁至供氣點。

安裝說明

III . 櫃面開孔尺寸

型號	闊 (毫米)	長 (毫米)
GP13-P1-TG GP13-P1-LG	265	490
GP13-P2-TG GP13-P2-LG	265	490



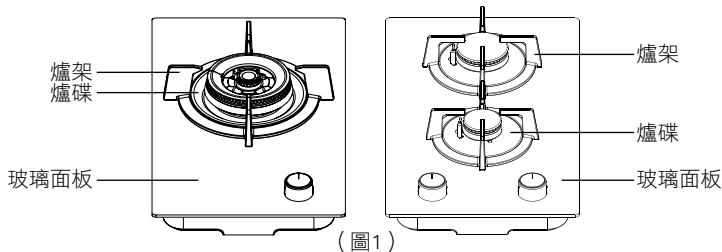
安裝說明

IV. 爐架及爐頭之正確位置

使用前請先確定以下配件已置於正確位置。

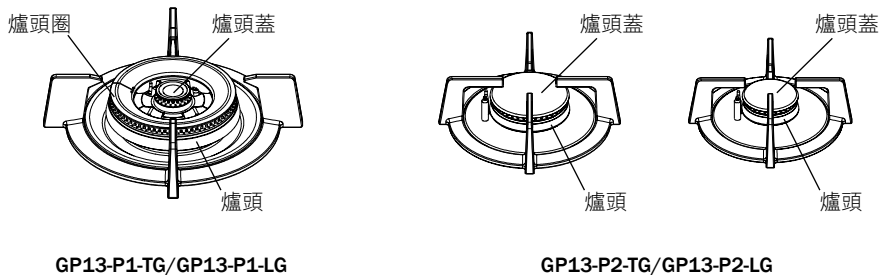
A. 爐架

爐架正確地安放在爐碟上(圖1)。放置時，請勿傾斜，否則會影響爐火不正常。

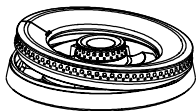


B. 爐頭

爐頭蓋及爐頭圈分別放置在爐頭上(圖2)，放置時請勿傾斜及不要留有空隙(圖3)。若兩者不正確地放置，使用爐具會導致爐頭變形、玻璃破裂和增加釋放一氧化碳之危險。



(圖2)



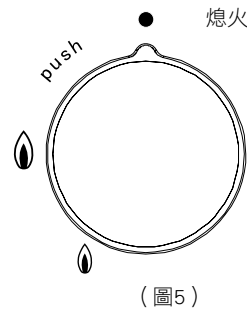
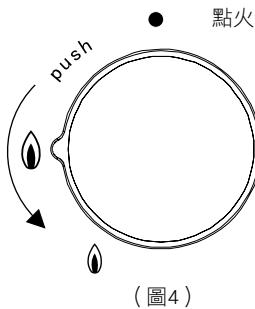
(圖3)

使用說明

⚠ 警告！

所有爐具須由合格註冊氣體裝置技工進行安裝、內部調試及接駁喉管。嚴禁用戶自行安裝或維修。切勿使用並非由製造商供應的配件，例如錫紙碟，使用錫紙可能導致爐火不正常。請勿用鋼刷或利器摩擦熄火安全感應頭。

1. 請一邊按住爐具開關掣一邊向左（◀）的方向慢慢地旋轉，隨著「啪啪」的響聲，火花將點燃燃燒器。在確認燃燒器被點燃後即可放手，此爐具帶有自動連續點火功能，點火後無須繼續按壓開關，6至8秒後出現「啪啪」聲響及火花會自動停止。
2. 將手放開爐具開關掣而爐火仍未點著時，請用同樣的方法再次操作，將手慢慢地放開。
3. 轉動爐掣，調節爐火至所需火力。
4. 緩慢轉動旋鈕調節爐火大小，於「●」及“◐”位置調節。（圖4）。
5. 如爐火熄滅，防漏熄火安全裝置會自動切斷燃氣供應。如有此情況，請將爐掣轉至「●」的位置。
6. 將爐掣轉回至「●」的位置，爐火便會熄滅。（圖5）



注意：

- 使用小火時，不應急速打開爐具下方的廚櫃門，以免氣流弄熄爐火。
- 從最大火力調低至近中火時，若發現外環火焰不穩定（微弱或熄滅），請立即調大火力，直至外環火焰穩定，才繼續使用；或調小火力，只使用芯火。
- 於爐具運作約30分鐘後，爐具玻璃面板及旋鈕部分會因爐火熱力而變熱，如需使用旋鈕，方以濕布降溫後使用。
- 關閉爐頭時，有機會因殘留在爐頭內的氣體瞬間燃燒而出現響聲，此屬正常現象。

防漏熄火安全裝置

- 如爐頭在使用中，火焰突然熄滅，防漏熄火安全裝置會自動切斷燃氣供應。如有此情況，請將爐掣轉至「●」的位置。
- 感應頭十分精密，切勿用粗刷子或硬物利器清潔。
- 生產商已調教了風位，切勿嘗試自行調校。

清潔與保養

⚠ 警告！

當爐具尚有餘熱時，切勿進行清洗。必須在爐具完全冷卻後方可進行清潔。

清潔爐面

- 用柔軟的濕布及中性洗潔精輕抹面板部分。
- 用暖水及洗潔精清理爐頭。

⚠ 警告！

經常清潔爐頭組件以保持爐頭蓋上的火焰孔暢通，如滾瀉食物及汁液，應在爐頭組件冷卻後盡快作妥善清理。

更換電池

- 電池盒在爐身的底部(直流1.5伏特)。請將盒蓋打開更換電池。
- 請小心別把乾電池的正、負極倒轉。

故障檢修

問題	原因	解決方法
點不著火	氣閥沒打開或燃氣用完	打開氣閥，更換氣源
	氣體接駁喉中有較多空氣	延長點火時間，直至氣體接駁喉管內空氣完全排出
	氣體接駁喉管彎折或壓扁	矯直氣體接駁喉管
	噴嘴堵塞	聯絡客戶服務及維修中心或註冊氣體裝置技工清除堵塞
	點火針髒或位置偏離	聯絡客戶服務及維修中心或註冊氣體裝置技工清潔並調整位置
	爐頭蓋積水或污物	清潔及抹乾爐頭蓋
有氣體氣味	氣體接駁喉管老化	聯絡客戶服務及維修中心或註冊氣體裝置技工更換氣體接駁喉管
	爐頭主火未點燃	待氣體消散後再重新點火
	閥體漏氣	聯絡客戶服務及維修中心或註冊氣體裝置技工更換閥體
弱火	燃氣壓力太低	聯絡客戶服務及維修中心或註冊氣體裝置技工檢查供氣或看減壓閥是否堵塞
	爐頭蓋堵塞	清潔爐頭蓋
	空氣調節不當	聯絡客戶服務及維修中心或註冊氣體裝置技工調節風門，讓適量空氣流通

⚠ 警告！

如無法順利排除故障，請與客戶服務及維修中心聯絡。嚴禁非專業人員對本機拆卸維修。

技術規格

型號	GP13-P1-TG	GP13-P1-LG	GP13-P2-TG	GP13-P2-LG
氣體類型	香港煤氣	香港石油氣	香港煤氣	香港石油氣
氣體壓力	1500 Pa	2900 Pa	1500 Pa	2900 Pa
功率	6.0kW	5.0kW	2.5/1.3kW	1.8/1.1kW
點火方式	瞬燃技術			
安全裝置	有			
機身尺寸 (毫米)	125高 x 290闊 x 515深		115高 x 290闊 x 515深	
淨重	5.8 kg		5.7 kg	

- 產品規格及設計如有變更，恕不另行通知。
- 中英文版本如有出入，一概以中文版為準。
- 本產品使用說明書以www.germanpool.com網上版為最新版本。

保用條款

此保用提供德國寶產品之機件在正常使用下壹年保用 (自購買日起計算)。

Warranty Terms & Conditions

Under normal operations, the product will guarantee a 1-year full warranty provided by German Pool (effective from the date of purchase).

* 貴戶須在購機十天內，以下列其中一種方式向本公司登記資料，保用手續方正式生效：

- 1) 填妥德國寶VIP手機應用程式保用登記表 (掃描右方二維碼)
- 2) 填妥本公司網頁保用登記表
www.germanpool.com/warranty
- 3) 填妥保用卡郵寄至本公司。



* This warranty is not valid until customer registration information is received by our Service Centre within 10 days of purchase via one of the following means:

- 1) Visit our VIP App and register online:
(Scan the QR Code on the right)
- 2) Visit our website and register online:
www.germanpool.com/warranty
- 3) Complete the attached Warranty Card and mail it back to our Customer Service Centre.



另請填妥以下表格並與正本發票一併保存，以便維修時核對資料。用戶提供之所有資料必須正確無誤，否則免費保用將會無效。 Please fill out the form below. This information and the original purchase invoice will be required for any repairs. Warranty will be invalidated if information provided is found to be inaccurate.

型號 Model No. : GP13-P1-TG GP13-P1-LG GP13-P2-TG GP13-P2-LG

機身號碼 Serial No. : _____ 發票號碼 Invoice No. : _____

購買商號 Purchased From : _____ 購買日期 Purchase Date : _____

1. 未能出示購買發票正本者，將不獲免費維修服務。
2. 用戶應依照說明書的指示操作。本保用並不包括：
 - 上門安裝、檢驗、維修或更換零件之人工以及一切運輸費用；
 - 因天然與人為意外造成的損壞 (包括運輸及其他)；
 - 電源接合不當、不依說明書而錯誤或疏忽使用本機所引致之損壞。
3. 於下列情況下，用戶之保用資格將被取消：
 - 購買發票有任何非認可之刪改；
 - 產品被用作商業或工業用途；
 - 產品經非認可之技術人員改裝或加裝任何配件；
 - 機身編號被擅自塗改、破壞或刪除。
4. 總代理有權選擇維修或更換配件或其損壞部份。
5. 產品一經被轉讓，其保用即被視作無效。

1. Customer who fails to present original purchase invoice will not be eligible for free warranty service.
2. Customer should always follow the operating instructions. This warranty does not apply to:
 - labour costs for on-site installation, check-up, repair, replacement of parts and other transportation costs;
 - damages caused by accidents of any kind (including material transfer and others);
 - operating failures resulting from applying incorrect voltage, improper usage, and unauthorized installations or repairs.
3. This warranty is invalid if:
 - the purchase invoice is modified by an unauthorized party;
 - the product is used for any commercial or industrial purposes;
 - the product is repaired or modified by unauthorized personnel, or unauthorized parts are installed;
 - the serial number is modified, damaged or removed from the product.
4. German Pool will, at its discretion, repair or replace any defective part.
5. This warranty will be void if there is any transfer of ownership from the original purchaser.

客戶服務及維修中心

香港

九龍大業街59號

三湘九龍灣貨運中心地下B室

電話：+852 2773 2888

傳真：+852 2356 9798

電郵：repairs@germanpool.com

澳門

澳門青洲大馬路(青洲新路)

515號美居廣場第二期1樓A座

電話：+853 2875 2699

傳真：+853 2875 2661

Customer Service & Repair Centre

Hong Kong

Unit B, G/F, Sunshine Kowloon Bay

Cargo Centre, 59 Tai Yip Street,

Kowloon, Hong Kong

Tel : +852 2773 2888

Fax : +852 2356 9798

Email : repairs@germanpool.com

Macau

A, 1 Andar, Mei Kui Kuong Cheong Fase 2,

No.515 Avenida Do Conselheiro Borja

Macau

Tel : +853 2875 2699

Fax : +853 2875 2661

此保用只適用於香港及澳門

This warranty is valid only in Hong Kong and Macau

GERMAN POOL

German Pool (Hong Kong) Limited



香港 (S MARK)
安全認證



中國電器/康電行業
十大影響力品牌

CEO

CEO非凡品牌大賞



香港優質商號



香港工商業獎



最具昇管
創建品牌企業獎



香港中小企業
最佳拍檔大獎



香港消費者推銷品牌



香港 (Q 標)
優質服務證書



香港名牌十年成就獎
HONG KONG TOP BRAND TEN YEAR
ACHIEVEMENT AWARD

© All rights reserved. Copying, reproducing or using the contents of this manual is not allowed without prior authorization from German Pool, violators will be prosecuted.