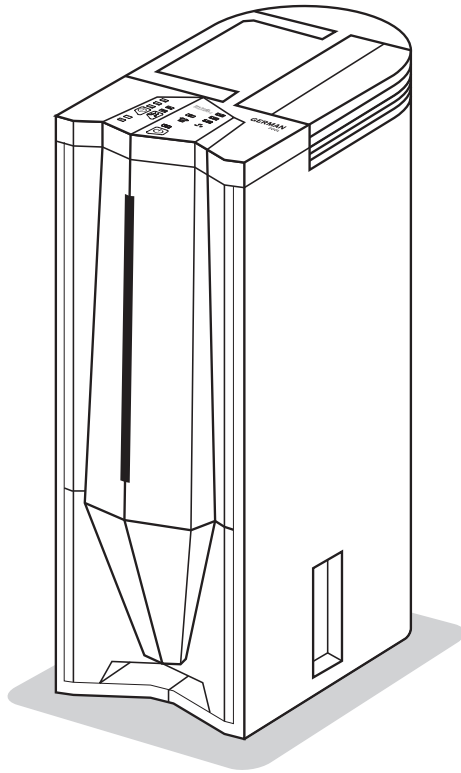


GERMAN
POOL



德國寶

抽濕機 | DH-308D
Dehumidifier



在使用之前請詳細閱讀「使用說明書」及「保用條例」，並妥為保存。
Please read these instructions and warranty information carefully
before use and keep them handy for future reference.



使用說明書 OPERATING INSTRUCTIONS

目錄 Table of Contents

注意事項 Notice Before Use 04

產品結構 Product Structure 05

操作說明 Operating Instructions 06

清潔與保養 Care & Maintenance 10

常見故障及處理 Troubleshooting 11

安全注意事項 Safety Cautions 12

技術規格 Technical Specifications 14

保用條款 Warranty Terms & Conditions 15

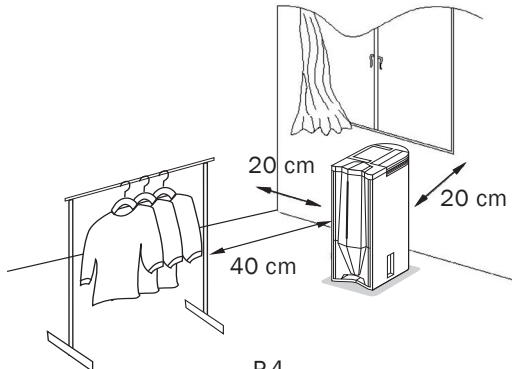
注意事項 Notice Before Use

重要說明

為安全起見，初次使用產品前請先細閱本說明書，並保存說明書，以便作參考之用。

本產品只供家居使用。請必須依照本說明書內的指示安裝及操作。

1. 在清潔或儲存抽濕機時請先將插頭拔下。
2. 請勿將本機浸在水中或接近水源。
3. 請勿將本機放置在靠近發熱裝置或易燃危險品處。
4. 請勿將手指或棒狀物件插入進風口或出風口處。
5. 請勿坐立在此機台上。
6. 請按照要求將水箱進行排水。
7. 請確保排水管往下安裝，以便冷凝水可持續地排出。
8. 機身應保持水平，避免放置本機於不平或傾斜的地面。
9. 切勿用水噴灑本機。
10. 切勿於本機上噴灑殺蟲劑及可燃性液體。
11. 請勿於本機上放置重物或讓小孩、動物乘坐。
12. 本機不得於密閉狹窄的空間裡操作。
13. 電源線損壞時，必須由本公司認可或合資格之技術人員進行更換。
14. 本機適用於溫度/濕度為 $1\sim 40^{\circ}\text{C}$ / $>25\%$ RH 的環境。
15. 使用乾衣功能時，衣物應與出風口保持至少 40 cm 以上距離，以免衣物上的水滴入機內，使機器受損。
16. 當抽濕機運作時，確保其四周的最小間距如下圖所示：



Important

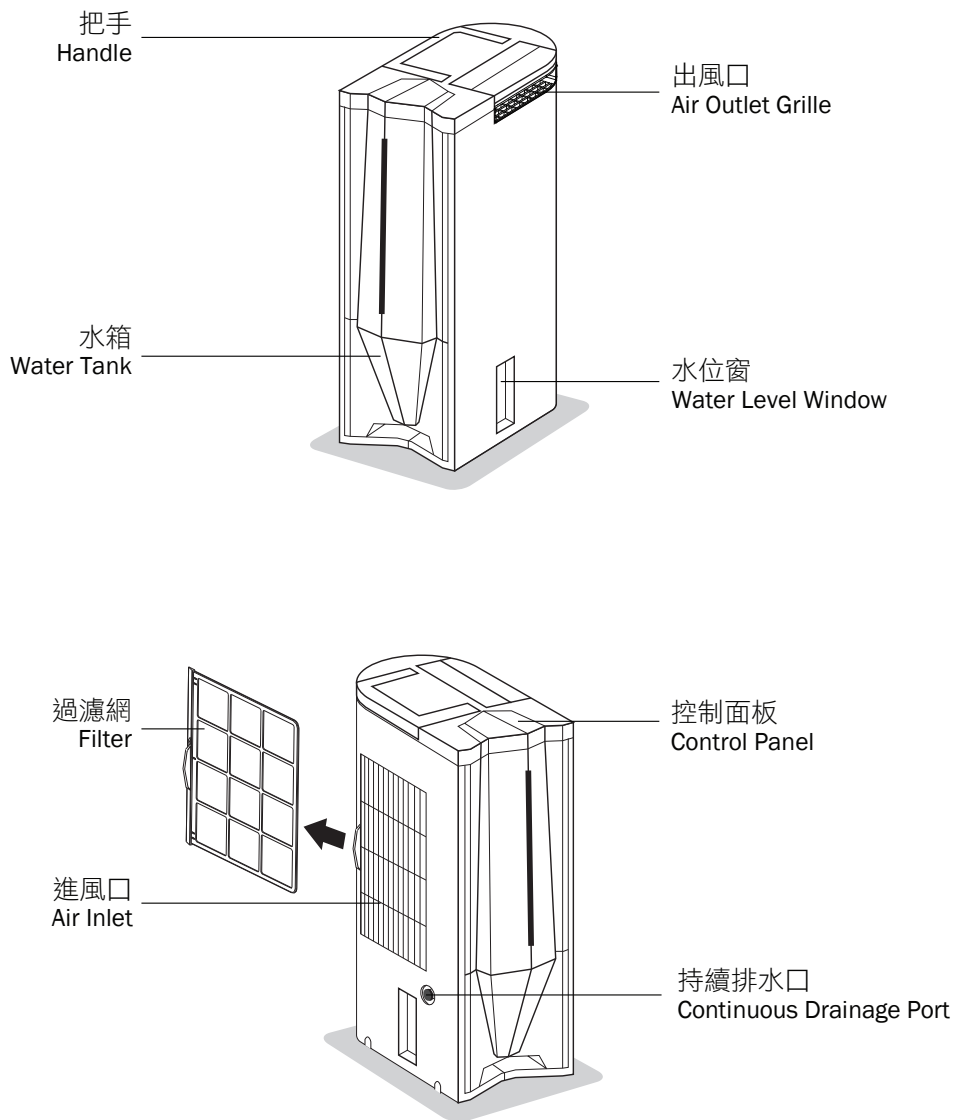
For safety purpose, you should read the instructions carefully before using the appliance for the first time. Save the instructions for future reference.

The appliance is designed for domestic use and may only be installed and operated in accordance with these instructions for use.

1. Unplug the power supply cord before cleaning or storage.
2. Do not immerse the unit in water, or place it close to water.
3. Do not put the unit close to heat-generating devices or near flammable and dangerous materials.
4. Never put your fingers or any stick-form objects into the air inlet or outlet grille.
5. Do not sit or stand on the unit.
6. Discard water collected in the tank as instructed.
7. Install drain piping at a downward direction to make sure that condensed water can be drained continuously.
8. Place and operate the unit on a stable and level floor.
9. Do not spray or splash water directly onto the unit.
10. Do not spray any pesticide nor flammable liquid onto the unit.
11. Do not place any heavy object or let children and pets sit on the unit.
12. Do not operate dehumidifier in a small and confined space.
13. Damaged power cord must be replaced by a licensed technician.
14. This unit should be placed in an ambient temperature/humidity of $1\sim 40^{\circ}\text{C}$ / $>25\%$ RH.
15. Keep the clothes at least 40 cm from the air outlet to prevent water from dripping to the unit.
16. Maintain the below minimum clearance around the dehumidifier during operation:

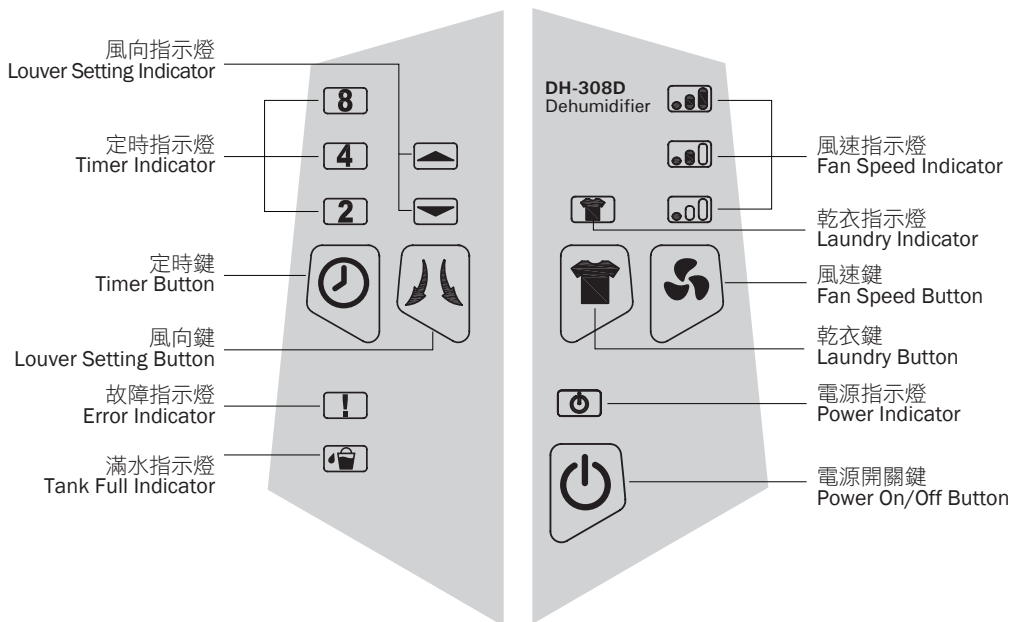
產品結構 Product Structure

主機 Body



操作說明 Operation Instructions


操作面板 Control Panel




操作說明 Operation Instructions

A. 基本操作步驟


1. 啟動

按電源鍵  開啟或關閉本機。接通電源後，電源指示燈亮起。


2. a. 設定風速


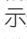
按風速鍵  設定抽濕風速 (低速→中速→高速)，風速指示燈亮起。

b. 或選用乾衣功能


按乾衣鍵  選擇低速乾衣模式，乾衣指示燈亮起。

3. 設定風向

按風向鍵  啟動導風板擺動功能 (下方→上方→靜止)。

- 下方：導風板擺動，送風方向自動控制於下方範圍，角度約0°-60°，風向指示燈  亮起。
- 上方：導風板擺動，送風方向自動控制於正前方範圍，角度約30°-90°，風向指示燈  亮起。
- 靜止：導風板停止擺動，固定送風方向。

4. 可選定時功能


按定時鍵 ，選擇8 / 4 / 2小時運轉時間，功能指示燈亮起。所顯示小時將隨運轉時間遞減，直至停機。

注意：

- 關機後，風扇會繼續運轉約1分鐘散熱。如需拔下電源線插頭，應在出風口停止送風後方能進行。
- 故障顯示燈：機器發生故障或因環境溫度超出1-40°C範圍，出風口受遮蔽或其他異常因素使機器發生故障時，故障顯示燈亮起，警示應檢查故障情況，處理後方能正常運作。
- 功能選擇鍵為輕觸式按鍵，切勿粗暴按壓，以免損壞。

A. Basic Operation


1. Start the Unit

Plug into the power supply and press Power Button  to turn on the unit. To turn off the unit, press Power Button again.

2. a. Set Fan Speed

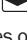

Press Fan Speed Button to select fan speed (Low→Middle→High). Fan speed indicator will light up.

b. Or Select Laundry Function


Press Laundry Button , laundry mode will operate in low fan speed. Laundry indicator will light up.

3. Set the Louver

Press Louver Setting Button  to set louver swinging direction (down→up→hold).

- Down : Air comes out from the front with the louvers swing angle scale of about 0°-60°. Indicator  will light up.
- Up : Air comes out from front with the louvers swing angle scale about 30°-90°. Indicator  will light up.
- Hold : Louvers stop to swing.

4. Select Timer Function

Press Timer Button  to set 8hr / 4hr / 2hr timer. Timer indicator will light up. The number of hours indicated will decrease as time passes during operation.

Caution:

- After turning off the dehumidifier, the fan will keep running for about 1 minute to cool down. Do not unplug the power until the fan has stopped running.
- Error Indicator: When there is a malfunction, the ambient temperature rises to above the range of 1-40°C, air outlet is covered or other abnormal factors occur, this indicator will light up to alert user that there is a need to check the dehumidifier.
- Please press buttons gently, as pressing forcefully may cause damages.

操作說明 Operation Instructions

B. 水箱排水

當水箱水滿時，水滿指示燈會亮起紅色，蜂鳴器鳴響15聲警告使用者，然後自動停機。此時必須清空水箱中的水。

B . Water Drainage

When the water tank is full, the Tank Full indicator will light up, the operation will stop automatically. A buzzer will beep 15 times to alert the user to empty the water from the water tank.

清空水箱

Emptying the Water Tank



註：

- 請勿將水箱中的浮子移走，如果水箱的浮子被移走之後，水滿感應器將無法正常感應到水位，以致水滿時水會從水箱中溢出。
- 如果水箱很髒，只需使用冷水或溫水清洗即可，不可使用清潔劑、鋼絲絨、化工處理的除塵布、汽油、苯、稀釋劑或其他溶劑處理，否則可能會損壞水箱致使其漏水。
- 當放入水箱時，用雙手將水箱按緊，如果水箱沒有放置好，水滿感應器仍然會被啟動，抽濕機將無法運轉。

Note:

- Do not remove the float from the water tank. The water full sensor will no longer be able to detect the water level correctly without the float and water may leak from the water tank.
- If the water tank is dirty, wash it with cold or lukewarm water. Do not use detergent, scouring pads, chemically treated dust cloths, gasoline, benzene, thinner, or other solvents, as these can scratch and damage the tank and cause water leakage.
- When replacing the water tank, press the tank firmly into place with both hands. If the tank is not positioned properly, the "Tank Full" sensor will still be activated, and the dehumidifier will not operate.

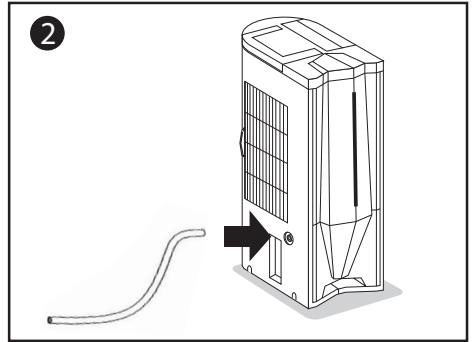
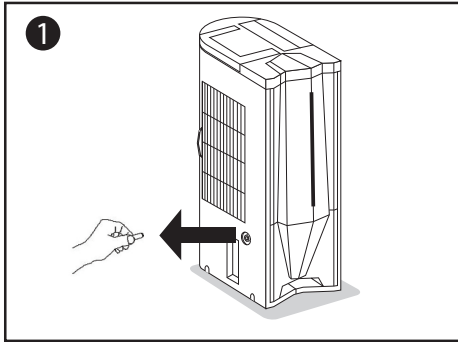
操作說明 Operation Instructions

持續性排水

抽濕機有一個持續排水孔，採用一根塑膠管（內徑9mm），水就可以由持續排水孔將機體內的水排出。

Continuous Drainage

The unit features a continuous drainage port. Connect a plastic hose (with an inner diameter of 9mm) to the continuous drainage port for draining water in the tank continuously.



清潔與保養 Care & Maintenance

⚠ 警告

為免觸電，在清潔與維修前必須關掉本機，並拔除電源插頭。

⚠ Caution

In order to avoid electric shocks, please power off the machine and pull out the plug before cleaning or repair.

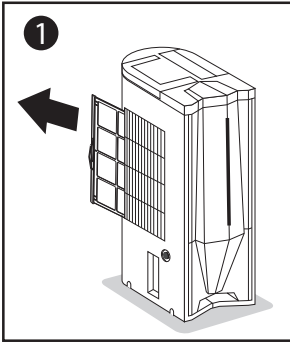
A. 機身清洗

採用柔軟微濕的布擦拭機身。

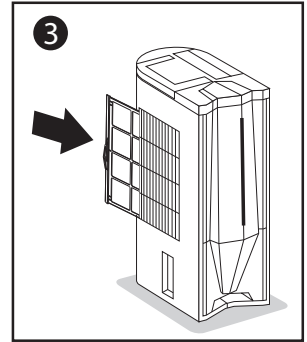
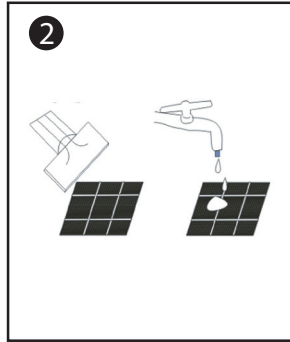
A. Cleaning the Body

Wipe the unit body with a soft damp cloth.

B. 過濾網清洗



1. 向左拉出濾網。
2. 清洗濾網：使用吸塵器輕輕地吸走濾網表面的灰塵，如果濾網非常髒，可使用溫水及柔和的清潔劑擦拭並完全晾乾。
3. 將濾網慢慢地插回機身。



B. Cleaning the Filter

1. Pull left to remove the air filter.
2. Cleaning: Run a vacuum cleaner lightly over the surface of air filter to remove dirt. If the air filter is exceptionally dirty, wash it with warm water and a mild cleanser and dry thoroughly.
3. Insert the filter into the unit smoothly.

C. 抽濕機儲存

長時間不使用抽油機而想將其存放時，注意以下步驟：

1. 清空水箱內的積水。
2. 捲起電源線，並將其放入水箱。
3. 清潔濾網。
4. 放置清爽乾燥的環境中。

C. Dehumidifier Storage

When the unit is not being used for a long time and you want to store it, please follow the steps below:

1. Empty any water left in the water tank.
2. Fold up the power supply cord and put it in the water tank.
3. Clean the air filter.
4. Store in a cool and dry place.

常見故障及處理 Troubleshooting

使用中如發現本機操作上有問題，請依照下表進行檢查。

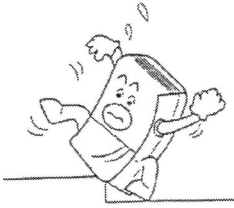
When you run into any problems operating this product, use the table below to troubleshoot the problems.

故障現象 Phenomenon	原因分析 Possible Cause	處理方法 Solution
機器不運轉。 The unit does not operate.	電源線是否有正常連接好? Has the power cord been disconnected?	將插頭和插座連接好。 Plug the power cord into the outlet.
	滿水指示燈有亮著嗎? (水箱水滿或未放到位) Is the Tank Full indicator blinking? (The tank is full or in a wrong position.)	將水箱中的水排出並將其放回機身的正確位置。 Empty the water in the water tank and then reposition the tank.
	室溫是否在40°C之上? Is the room temperature above 40°C?	因本產品並不適用於過熱或過冷的環境，保護裝置啟動，因此機器暫時不工作。 This product is not designed to be used in an environment too cold or too hot. The protection device is activated and the unit cannot be started temporarily.
抽濕功能無法啟動。 The dehumidifying function does not work.	濾網是否被阻塞? Is the air filter clogged?	按照“清潔及保養”一欄將濾網清洗乾淨。 Clean the air filter as instructed under “Care & Maintenance”.
	入風口或出風口是否被堵塞了? Is the air inlet or air outlet obstructed?	將阻塞物從入風口或出風口清除。 Remove the obstruction from the air inlet or outlet.
運轉時噪音大。 Operation is noisy.	機器是否傾斜放置? Is the unit tilted or unsteady?	將機器移放至水平，穩固機器位置。 Move the unit to a stable and sturdy location.
	濾網是否被阻塞? Is the air filter clogged?	按照“清潔及保養”一欄將濾網清洗乾淨。 Clean the air filter as instructed under “Care & Maintenance”.

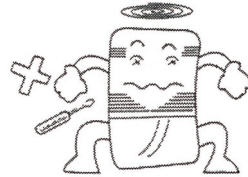
注意：如問題持續發生，請關機及拔除電源插頭，並送回本公司維修。

Note: If the problem persists or other abnormal situations occur, turn off the machine and pull out the plug. Then contact our Repair Centre for help.

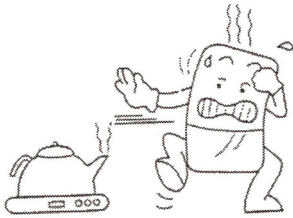
安全注意事項 Safety Cautions



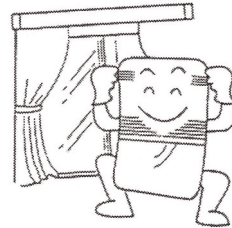
1. 使用時，請勿將本機置於柔軟、不平地面上，避免產生震動或移動。
Do not place unit on uneven surface.



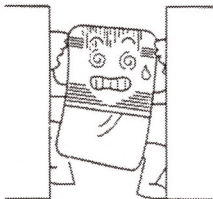
2. 不可使用細棒、硬物插入機身內，以免發生故障或危險。
Do not insert any sharp objects into air inlet/air outlet.



3. 使用時，請將本機遠離暖爐、電熱水壺等熱源，可節省用電。
Do not operate unit near radiators, kettles or any object that releases steam.



4. 使用時，請關閉門窗，以達到最佳的抽濕效果。
Do not operate unit near windows or doors opening to the outdoor.

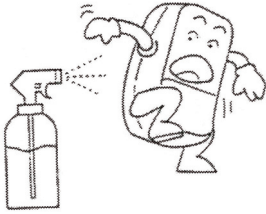


5. 請勿擺放物品在機體前後。通風若受阻，抽濕效果會受影響。
Do not obstruct air inlet and outlet.

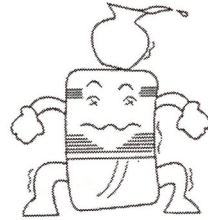


6. 如遇停電或長期不使用時，請拔掉電源線插頭。
Unplug power when the unit is not in use for an extended period.

安全注意事項 Safety Cautions



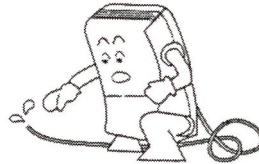
7. 清理機身時，以濕布輕輕擦拭即可，切勿直接射水。
Do not spray any liquid onto unit.



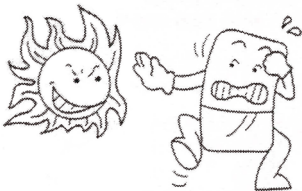
8. 請勿擺放任何物件在機身上。
Do not put heavy objects on top of unit.



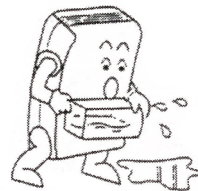
9. 請每兩週清洗過濾網一次(切勿使用40°C以上熱水、酒精、汽油或甲苯)。
Wash the air filter once every 2 weeks with cold water. (Do not use water >40°C, alcohol, petroleum or benzene)



10. 連續排水時，排水管須水平放置，不可高低不平及有纏繞情況。
When draining water continuously, make sure drain hose is not tangled.



11. 過濾網清潔後，請不要放置在太陽直射下曬乾，以避免變形。
Do not place filter directly under the sun when drying.



12. 移動、搬運本機前，請先倒出水箱內積水。
Empty water tank before moving unit.

技術規格 Technical Specifications

型號 Model	DH-308D
電壓 Voltage	220-240 V
頻率 Frequency	50 Hz
功率 Power	630 W
電流 Electric Current	2.8 A
抽濕能力 Dehumidifying Capacity	8 L / day
適用室溫 Applicable Room Temperature	1°C - 40°C
水箱容量 Capacity: Water Storage	2 L
尺寸 Dimensions	(H) 495 mm (W) 170 mm (D) 329 mm
包裝尺寸 Packing Dimensions	(H) 558 mm (W) 228 mm (D) 380 mm
淨重 Net Weight	6.5 kg
總重連包裝 Gross Weight With Packing	7.2 kg

產品規格及設計如有變更，恕不另行通知。
Specifications are subject to change without prior notice.

中英文版本如有出入，一概以中文版為準。
If there is any inconsistency or ambiguity between the English version and the Chinese version, the Chinese version shall prevail.

請填妥以下空格並與發票一併保存，以便維修時核對資料。用戶提供本公司之所有資料必須正確無誤，否則免費保用將會無效。
Please fill out the form below. This information and the purchase invoice will be required for any repairs. Warranty will be invalid if information provided is found to be inaccurate.

型號 Model No. : DH-308D

機身號碼 Serial No. : _____

發票號碼 Invoice No. : _____

購買商號 Purchased From : _____

購買日期 Purchase Date : _____

保用條款

此保用提供德國寶產品之機件在正常使用下壹年保用(自購買日起計算)。

* 貴戶須在購機十天內，以下列其中一種方式向本公司登記資料，保用手續方正式生效：

- 1) 填妥本公司網頁內之保用登記表格 www.germanpool.com/warranty。
- 2) 填妥保用登記卡，並連同購機發票之副本一併郵寄到客戶服務部 (本公司將不發還發票副本或登記卡)。

1. 未能出示購買發票正本者，將不獲免費維修服務。
2. 用戶應依照說明書的指示操作。本保用並不包括：
 - 上門安裝、檢驗、維修或更換零件之人工以及一切運輸費用；
 - 因天然與人為意外造成的損壞 (包括運輸及其他)；
 - 電源接合不當、不依說明書而錯誤或疏忽使用本機所引致之損壞。
3. 於下列情況下，用戶之保用資格將被取消：
 - 購買發票有任何非認可之刪改；
 - 產品被用作商業或工業用途；
 - 產品經非認可之技術人員改裝或加裝任何配件；
 - 機身編號被擅自塗改、破壞或刪除。
4. 總代理有權選擇維修或更換配件或其損壞部份。
5. 產品一經被轉讓，其保用即被視作無效。

維修部 - 小型電器

德國寶(香港)有限公司
香港九龍紅磡暢通道 1 號
中旅貨運物流中心8樓
電話：+852 2215 4582
傳真：+852 2356 9798
電郵：repairs@germanpool.com

Warranty Terms & Conditions

Under normal operations, the product will receive a 1-year full warranty provided by German Pool (effective starting from the date of purchase).

* This warranty is not valid until Customer's registration information is returned to and received by our Service Centre within 10 days of purchase via one of the following methods:

- 1) Visit our website and register online: www.germanpool.com/warranty.
- 2) Complete all fields on the attached Warranty Card and mail it back to our Customer Service Centre along with a photocopy of the purchase invoice (Warranty Card and invoice copy will not be returned to Customer).

1. Customer who fails to present original purchase invoice will be disqualified for free warranty.
2. Customer should always follow the operating instructions. This warranty does not apply to:
 - labour costs for on-site installation, check-up, repair, replacement of parts and other transportation costs;
 - damages caused by accidents of any kind (including transport and others);
 - operating failures resulted from incorrect voltage, improper operations and unauthorized installations or repairs.
3. This warranty is invalid if:
 - purchase invoice is modified by unauthorized party;
 - product is used for any commercial or industrial applications;
 - product is repaired or modified by unauthorized personnel, or unauthorized parts are installed;
 - serial number is modified, damaged or removed from the product.
4. German Pool will, in its discretion, repair or replace any defective part.
5. This warranty will be void if there is any transfer of ownership from the original purchaser.

Repair Centre - Small Appliances

German Pool (Hong Kong) Limited
8/F, China Travel (Cargo) Logistics Centre
1 Cheong Tung Road
Hung Hom, Kowloon, Hong Kong
Tel : +852 2215 4582
Fax : +852 2356 9798
Email : repairs@germanpool.com

此保用證只適用於香港

This warranty card is valid only in Hong Kong

GERMAN
POOL  德國寶

德國寶 (香港) 有限公司 German Pool (Hong Kong) Limited

香港九龍土瓜灣馬頭角道116號新寶工商中心高層地下2-3號室
Room 2 & 3, Upper Ground Floor, Newport Centre
116 Ma Tau Kok Road, Tokwawan, Kowloon, Hong Kong

電話 (Tel) :
+852 2333 6245
+852 2773 2888

傳真 (Fax) :
+852 2765 8215
+852 2365 6009

電郵 (E-mail) :
info@germanpool.com



© 版權所有。未獲本公司授權，不得翻印、複製或使用本說明書作任何商業用途。

© All rights reserved. Copying, reproducing or using the contents of this manual is not allowed without prior authorization from German Pool.

www.germanpool.com