



# GERMAN POOL

INSTANTANEOUS ELECTRIC WATER HEATER | 即热式电热水器



# INSTANTANEOUS ELECTRIC WATER HEATER SERIES

INNOVATIVE HOT WATER SOLUTION

*CONVENIENT · ECONOMICAL · ECOLOGICAL · STYLISH · SAFE*



荣获欧盟A级能源效益认证



100% 德国制造  
MADE IN GERMANY



### 100% Made in Germany and Truly Ecological

As the premier choice of major international establishments, German Pool's series of Instantaneous Electric Water Heaters features a number of designs with different functionalities. These innovative creations have received a number of international ecological and design accolades; thanks to a team of elite German engineers who are committed to developing consumer-oriented, and eco-friendly water heaters. With this in mind, our Instantaneous Electric Water Heaters utilise solar energy and cutting-edge technologies to help reduce energy loss and improve user experience. Innovative, attractive and reliable, German Pool's Instantaneous Electric Water Heaters reflect German Pool's motto – Life Made Simpler.

### 全线德国制造 真正环保设计

德国宝即热式电热水器系列全线于德国原厂设计及制造，并备有多款型号以满足不同需要，荣获无数世界级工程选用。全线产品由德国的精英团队用心打造，屡获国际殊荣。即热式电热水器系列采用尖端制热技术，有效减少热损失，部分型号更能与太阳能加热技术完美结合，实践环保理念，让用家在节能的同时尽享恒温舒适的生活。贴心、创新、时尚及可靠兼备，真正做到「家有德国宝，生活无烦恼」。

Product specifications and design may change without prior notice. 产品技术规格及设计如有变更，恕不另行通知。

Due to printing limitations, actual product colours may be slightly different. 印刷时可能使颜色跟实物有轻微差别。

以上资料及产品图片仅供参考。

德国宝即热式电热水器 | 03

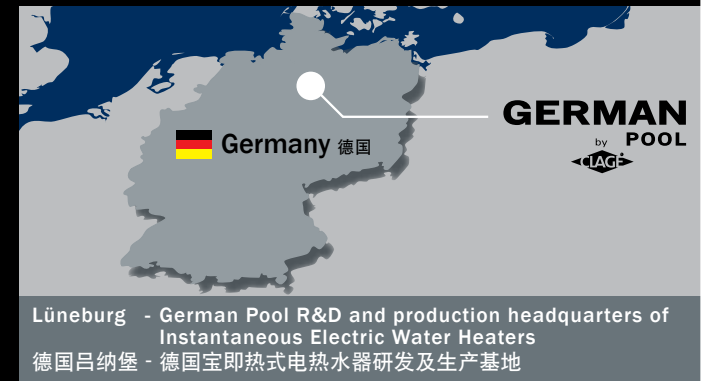
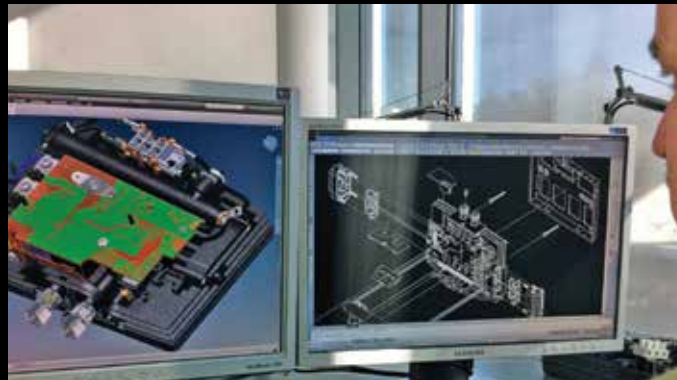


# RENOWNED GERMAN CRAFTSMANSHIP

German technology is renowned for refined craftsmanship, durability, and functionality. Designed in Lüneburg, Northern Germany, German Pool's Instantaneous Electric Water Heaters are manufactured to an exacting standard under the watchful eyes of our highly qualified German engineers. Nothing carries the German Pool label unless we are proud of it; and our Instantaneous Electric Water Heaters are proof of our commitment to exceptional craftsmanship and impeccable quality.

## 传承德国工艺 品质享誉盛名

德国工艺以做工精细、持久耐用及讲究实效而享誉世界，德国宝即热式电热水器研发及生产基地均位于德国北部的吕纳堡，从研发、制造到质检包装，都全线在德国本土进行，每个部件的生产都由高素质工程师依照相关标准严格把关，尽得德国工艺精髓。优异的品质和技术的创新印证德国宝对精细做工孜孜不倦的追求。



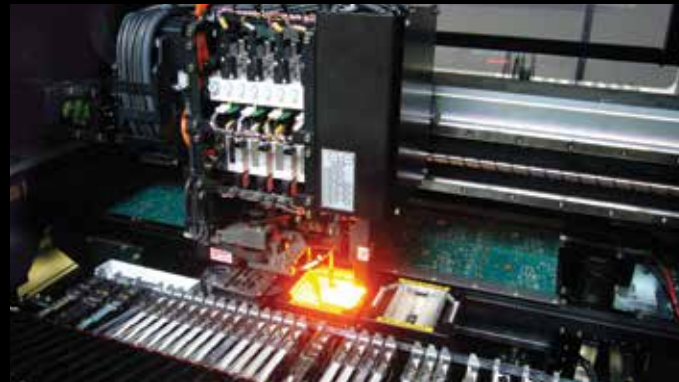


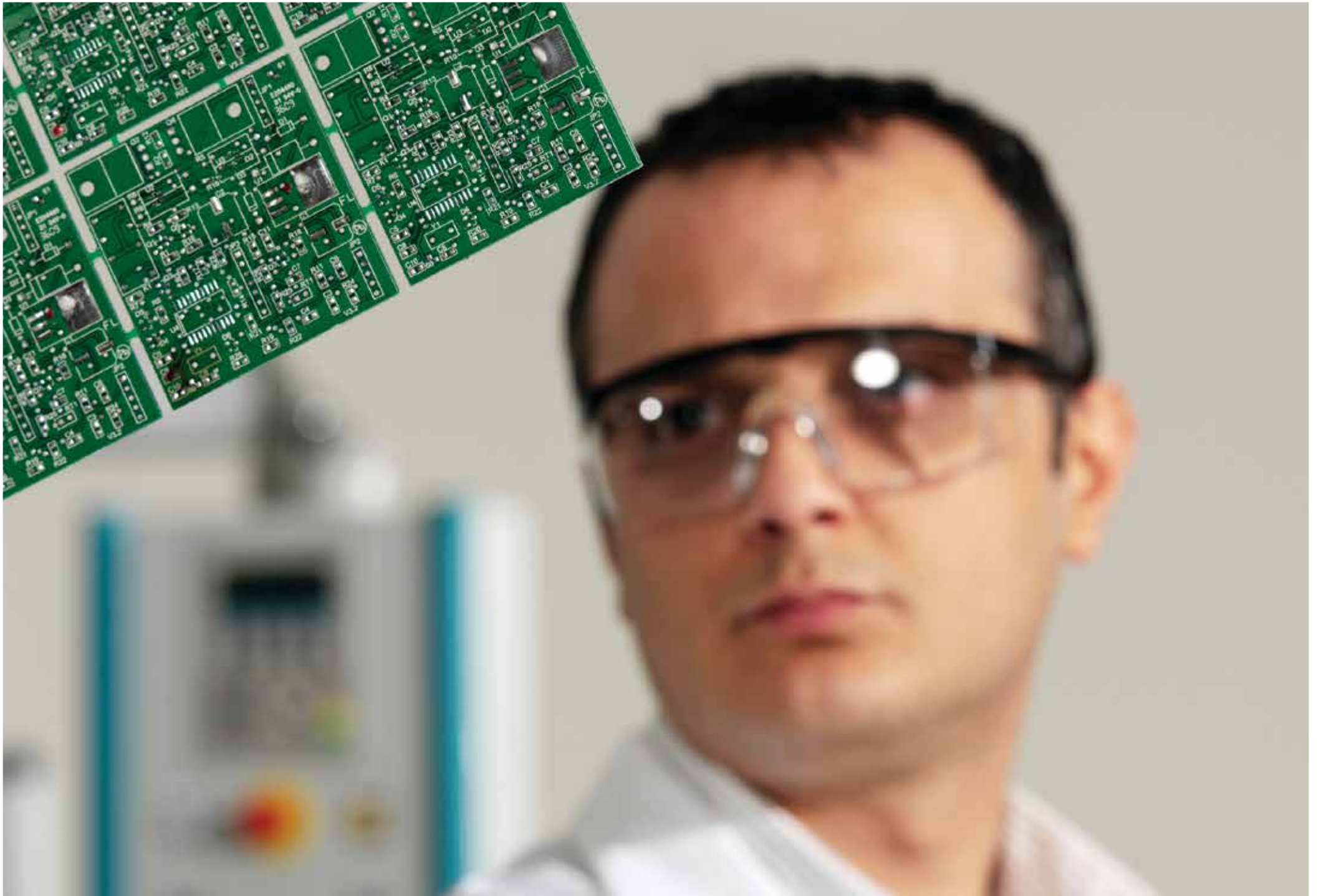
# TOP NOTCH TECHNOLOGY

German Pool's Instantaneous Electric Water Heaters feature an IES<sup>®</sup> bare wire heating system (for efficient heating), MPS<sup>®</sup> multiple power system (for a variety of power rating), and TTC<sup>®</sup> twin temperature control (for enhanced temperature accuracy). The Mini Series has won the American Green Good Design Award in 2013, the IF Product Design Award in 2012, and a nomination for the German Design Award. The DSX Servotronic<sup>®</sup> MPS<sup>®</sup> rose above 328 competitors to win the "Focus in Silver Prize" in the Baden-Wurttemberg International Design Focus Energy competition.

## 顶尖德国技术 设计独占鳌头

德国宝即热式电热水器采用全电子控制 IES<sup>®</sup> 高效明线加热系统，MPS<sup>®</sup> 多功率调校系统便于安装及 TTC<sup>®</sup> 双温度控制系统精确设定出水温度。单是迷你型即热式电热水器就三次获奖，包括：美国的绿色设计大奖「Green Good Design」环保奖，有「设计奥斯卡」美誉的 2012 年度德国「IF Product Design Award」奖及德国「Design Award」奖的提名。德国宝的 DSX Servotronic<sup>®</sup> MPS<sup>®</sup>，因高效节能环保的杰出表现从 328 件参赛作品中脱颖而出，获得巴登-符登堡国际设计大赛银奖。







# WORLD CLASS QUALITY

Quality control is the most important part of a production process. German Pool's Instantaneous Electric Water Heaters are subjected to stringent German tests, which monitor raw materials, components and products carefully before and after production. German Pool's advanced and ecological instantaneous electric water heaters are also awarded the DIN EN ISO 14001:2009 and ISO 14001 certifications – demonstrating the series' world class quality.

## 德国严格质检 品质信誉保证

质检在产品的生产过程中至关重要，无论是原材料的管理、组装还是零件等都要严格把关，而德国质检之严格在世界上可谓首屈一指。德国宝即热式电热水器系列在出厂前都经过严格质检，通过德国及国际多项测试认可：通过了最高标准的国际组织标准DIN EN ISO 14001:2009 品质认证及ISO 14001认证。最顶尖规格、最强劲性能、最节能表现，造就了德国宝以高品质为本的品牌声誉。





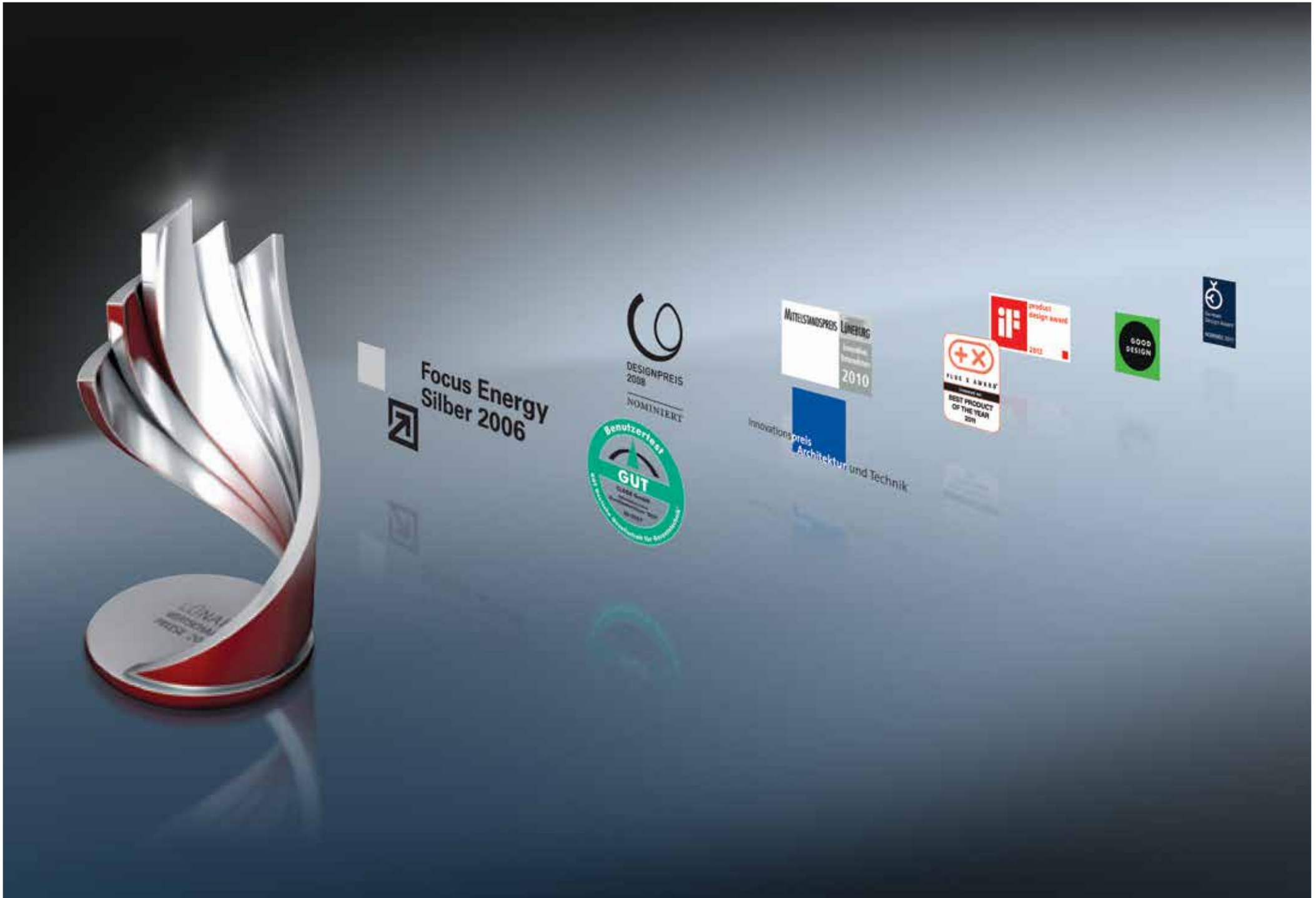
# EXPERT TEAM OF ENGINEERS

Over 170 elite researchers and experienced production staff members are employed at the CLAGE R&D and production base, ensuring that each and every water heater that comes off the assembly lines is of exceptional quality. These world-class researchers are tasked with the creation and the manufacturing of cutting-edge products. The R&D team is constantly pushing technological boundaries. Their innovation is exemplified by the use of the IES® bare wire heating system in the mini instantaneous water heaters and the incorporation of electronic touch control panels in the Compact and Deluxe High-Tech series. Professional training is regularly provided to keep the staff up-to-date in their specific areas of expertise and in developing new technologies.

## 优秀专业团队 致力研发创新

德国宝热水器的研发及生产基地精英云集，由超过170位专业人员组成的团队严格把关，确保每台热水器的出厂品质。世界级的研究人员云集于此致力研发使用方便、节能环保的高端热水器。无论是迷你即热式电热水器的明线加热系统，还是纤巧或豪华系列即热式电热水器的全电子可触控面板，都体现了团队不断地创新和推动科学向前发展的精神。此外，德国宝的培训制度一丝不苟，定期为员工提供与时俱进的专业培训及课程，更新专业知识和技能。





# AWARD-WINNING PARTNERSHIP

CLAGE, German Pool's strategic partner, has long been the driving force behind technological innovation in instantaneous water heaters. Since 1951, CLAGE has specialised in the production and distribution of efficient, powerful electrical water heating appliances, bringing over sixty years of technological advancement into its partnership with German Pool. Thanks to advanced R&D facilities and an in-house production plant, CLAGE has set many benchmarks for electric water heaters, including the development of the first-ever water heater with touch controls, and an award-winning design for the Mini Series. CLAGE and German Pool's products have become synonymous with German manufacturing quality.

## 品牌强强合作 达成优势联盟

德国宝的优秀合作伙伴德国CLAGE公司一直致力于热水器技术的创新。自1951年以来，CLAGE就专注于高效、强劲电热水设备的研发生产，与德国宝的合作带来了60余年来一直奋战在先进技术最前沿的经验。依赖先进的热水器生产设施和设备，通过在吕纳堡的研究，CLAGE团队成就颇丰，包括第一台可触控操控面板的热水器，以及设计获奖的小型热水器系列。德国宝和CLAGE强强合作，其品质优物美，成为「德国品质」的代名词。





# BENEFITS OF THE INSTANTANEOUS ELECTRIC WATER HEATER

即热式电热水器的优点

CONVENIENCE  
& FLEXIBILITY  
方便实用

EFFICIENCY &  
ECONOMICAL  
经济高效

ECOLOGICAL  
FRIENDLINESS  
节能环保

STYLISH  
DESIGN  
设计简约

SAFETY &  
RELIABLILITY  
安全可靠





# CONVENIENCE & FLEXIBILITY

German Pool's Instantaneous Electric Water Heaters are characterised by a high level of flexibility. The heaters support multiple points of application; they can be connected to a bathtub, shower, sink or any other household water outlet easily, many with water connection either on top or underneath. The decentralised system intelligently and effectively covers every corner of the home, enabling the user to enjoy an endless, convenient supply of hot water instantly. The controls boost user convenience, putting easy and precise pre-setting of water temperature at your fingertips with the press of a button. A wireless remote control option is available for most models, facilitating easy operation even when the water heater is not immediately accessible.

## 方便实用 用途广泛

德国宝即热式电热水器安装快速简单，用途广泛，可接驳浴盆设备、淋浴设备、洗手盆及厨房锌盆等，一机多用，简易操作，上下入水皆可。复盖全屋，每个角落都能即时享用源源不绝的舒适热水。液晶控制面板及两键按钮设计可以简单的灵活调节水温。配合无线遥控器，即使热水器安装于不便触碰之处，也能通过无线遥控轻松操作。





# EFFICIENCY & ECONOMY

High energy efficiency is the key strength of German Pool's Instantaneous Electric Water Heaters. Unlike conventional storage water heaters which heat a mix hot and cold water, German Pool's Instantaneous Electric Water Heaters use precision temperature controls and an efficient heating system to provide the desired temperature at the tap. Without the need to keep a storage tank heated, Instantaneous Electric Water heaters heat only what is needed - saving energy of up to 85% when compared to traditional storage water heaters.

## 经济实用 高效节能

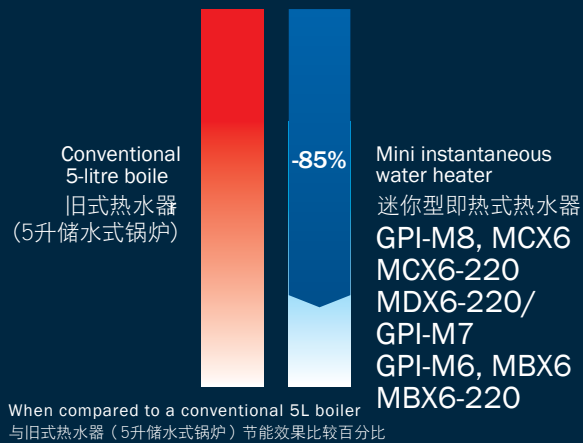
德国宝即热式电热水器的一个显著特点便是高效。德国宝即热式电热水器可以根据不同的需求设置不同的水温，无需加热至高温再混合冷水，而是直接加热至所需温度。德国宝即热式电热水器采用创新技术，只在真正需要热水时才即时供应符合设定温度的热水，有效避免热量流失，更经济高效，与传统储水式热水器相比，德国宝即热式电热水器能节省高达85%的能源。



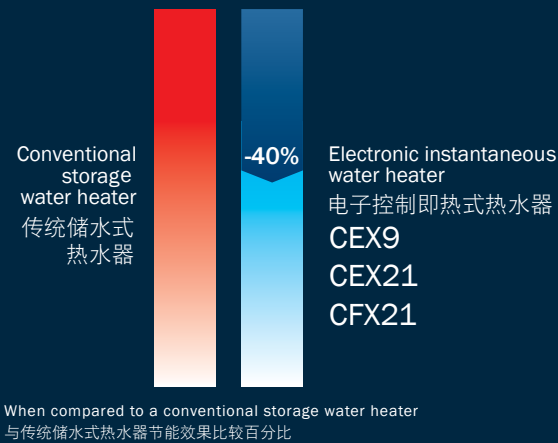


## ENERGY-SAVING PERFORMANCE 节能效果

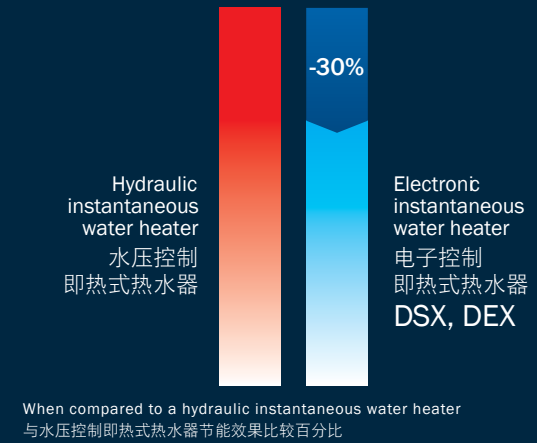
### MINI SERIES 迷你系列



### COMPACT SERIES 纤巧系列



### DELUXE HIGH-TECH SERIES 豪华系列



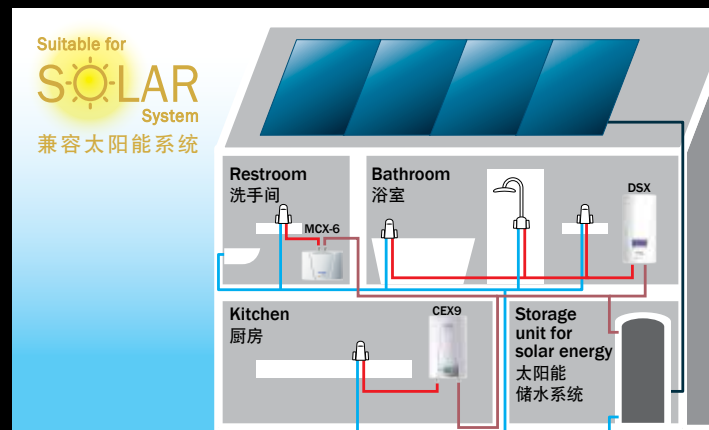
For reference only, based on current German average energy consumer costs for electricity and water resources. Percentages are subject to change depending on inlet and outlet water temperature and water flow rates, power supply and proper installation. Specifications are subject to change without prior notice.  
数据仅供参考。实际百分比数取决于出入水温度、流量、功率以及正确安装与否。规格和设计如有变更，恕不另行通知。

# ECOLOGICAL & SOLAR COMPATIBLE

Selected models of German Pool's Instantaneous Electric Water Heaters support pre-heated inlet water, making them compatible with solar thermal systems. The use of solar energy generates no carbon dioxide or greenhouse gases; and only in low light condition does the Instantaneous Electric Water Heater draw from the mains. The heater then modulates its power consumption according to the pre-heated inlet water temperature and flow rate, keeping energy use to a minimum. This revolutionary approach guarantees an unlimited hot water supply – and the best of all, it is done without depleting the planet's resources.

## 节能环保 兼容太阳能

部分德国宝即热式电热水器相容预热入水，真正实现与太阳能完美结合。太阳能加热过程中不会释出二氧化碳及温室气体，并只会在太阳能不足的情况下才以电力调节水温，既为环保节能出一份力，又丝毫不损热水无限量供应的极致享受。热水器还可以根据入水温度和水流大小，自动调温以控制用电量，确保一切热量损耗减至最低，实现最节能的理想制热效果。





# STYLISH DESIGN

German Pool's commitment to modern, functional, and attractive design is exemplified in our range of water heaters, each reflecting the philosophy of German industrial design. German Pool's Instantaneous Electric Water Heaters meet a wide range of user requirements with three distinct product lines, each with a range of various sizes and functions. The Mini, Compact and Deluxe High-Tech water heaters boast superb contours and a glossy finish, making them stylish additions to any home.

## 简约设计 时尚雅观

德国宝即热式电热水器系列产品独有德国时尚简约、功能至上的设计风格，更有迷你、纤巧和豪华三种不同系列，针对不同需求提供极致体验，贴心满足您不同层次的需求。纤薄小巧及高雅的机身，既方便安装又能让您轻松搭配各种装修风格。







# SAFETY & RELIABILITY

Product safety is always the first concern when it comes to choosing water heaters. That is why German Pool's Instantaneous Electric Water Heaters are equipped with a sophisticated, state-of-the-art automatic electronic safety system that includes air bubble detection, temperature and pressure cut-offs. Precise water temperature controls prevent the heaters from delivering unsuitably hot water, and the Twin Temperature Control (TTC®) system allows water temperature to be easily adjusted between 20°C and 60°C. Each water heater is made in accordance with the IP24/IP25 splash-jet-proof standard and is subject to the same strict quality control as everything else that carries the German Pool label, ensuring safety, reliability and functionality.

## 安全可靠 稳定卓越

产品安全永远是选择热水器的首要考虑因素，因此德国宝即热式电热水器配备自动精密电子安全系统，更特设气泡检测及温度压力断流装置以确保使用安全。简易操作的精准水温调校系统，可有效避免烫伤，使用更放心。TTC®系统随时调节20°C-60°C的适宜出水温度。高达IP24/IP25的防水保护，浴室安装安全可靠。德国宝每台电热水器在生产过程中都受到严格品质监控，保证产品功能卓越，安全可靠。



IP24

IP25



CE





# MINI SERIES

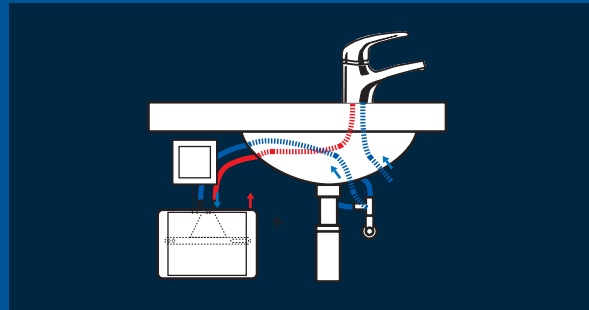
AWARD-WINNING AND HIGHLY EFFICIENT  
*KITCHEN SINK · WASH BASIN*

**THE MINI SERIES**, designed for single-point application, is the most efficient means of supplying hot water to a wash basin. The Mini Series instantly heats up the water flowing through it, wasting no energy pre-heating a storage tank. The Mini Series can therefore save up to 85% of energy compared to a 5L boiler.

### 迷你系列

德国宝迷你系列即热式电热水器体积小，特别为厨房锌盆及浴室洗手盆单点使用设计，节能高效的优化设计是洗手盆热水供应之选。即时加热功能无须储水蓄能，舒适热水即开、即热、即用。减少热量流失，相比5升储水式热水器节省高达85%能源。

### FLEXIBLE INSTALLATION 灵活安装



The mini water heaters can be mounted quickly and easily in open or closed outlets, and are practical reliable.

迷你型热水器可快速简易的用于出口敞开式或闭合式安装，安全可靠。

### ENERGY-EFFICIENT PERFORMANCE 节能效果

- Instant hot water with an economic flow rate
- Hot water supplied as needed
- No standby energy consumption
- Saves energy by up to 85%\*
- Reduce operating costs
- Easy, space-saving installation
- Hygienic operation (No stagnant water hence no bacteria or legionella risk)

- 节水即热
- 按需要供应热水
- 备用时不虚耗电源
- 节能高达85%\*
- 节省运作开支
- 不占空间，安装简便
- 卫生清洁，不积水，不滋生细菌及病原体等

\*When compared to a 5L water heater  
与旧式5升储水式热水器相比

# GPI-M8

Hong Kong & Macau Market Only  
香港和澳门市场专用

# MCX6-220/MCX6

China Market Only  
中国市场专用

## FULL ELECTRONIC CONTROL 全电子控制



### Features 产品特点

- Ultra compact design
  - Full electronic control with IES® Bare Wire Heating System
  - Instant supply of hot water at 35°C, 38°C, 45°C
  - Coloured LED temperature indicators on the unit body
  - No pre-heating or heat loss, saving up to 85% energy
  - Double pole thermal cut-out protection
  - Ø 1/2" Inlet/outlet water pipes; supplied with suitable power cable
  - Compatible with LED sensor tap or any other conventional tap
  - 1-phase electric power
  - Single-point application only
  - Awarded CE, CCC, and EU Energy Efficiency Class A
  - 100% engineered and made in Germany
- 迷你外型极简设计
  - 全电子控制，IES®明线加热线制热
  - 即时供应35°C、38°C及45°C 舒适热水
  - LED彩色显示灯显示出水温度
  - 无需预热、无热量流失，节能高达85%
  - 双极断路保护
  - Ø 1/2" 出入水喉，并附设电源线
  - 相容LED自动感应龙头及一般普通龙头
  - 适用单相电源
  - 单一出水口
  - 荣获CE和CCC认证及欧盟A级能源效益
  - 100%德国设计及制造

### Applications 应用



### Award 奖项

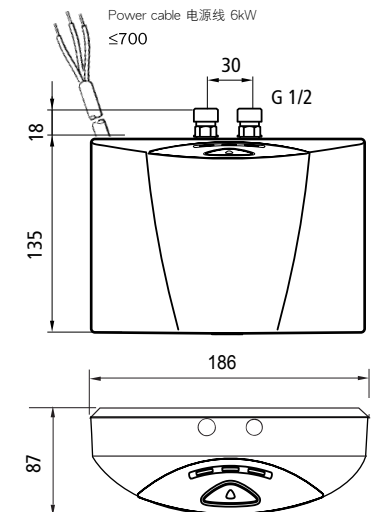


### Accessories 配件



An Example of an LED Sensor Tap  
LED 自动感应龙头范例

### Installation Diagram 安装图



The above information and photos are for reference only.

1 Phase  
单相

Single-Point  
application  
单一出水口

### Certification 认证



荣获欧盟A级能源效益认证



## Industry-Leading Innovation 领先科技创新

The brand new GPI-M8, MCX6-220 & MCX6 mini instantaneous electric water heater is petite in size and easy to install. GPI-M8, MCX6-220 & MCX6 requires no prior storage and heats only what is needed to instantly supply comfortable hot water.

全新GPI-M8，MCX6-220及MCX6迷你型即热式电热水器，体积小，易于安装。设计美观又功能强劲，无须预先储水，随时享用舒适热水。

### KEY FEATURE 焦点特色



## Specifications 规格

Model 型号	GPI-M8	MCX6-220	MCX6
Voltage / Frequency(V/Hz) 电压 / 频率 (伏特 / 赫兹)	220V/50Hz		220-240V/50Hz
Power Supply (1-Phase / 3-Phase) 电源 (单相 / 三相)	1-Phase 单相		
Power (kW) <sup>(1)</sup> 功率 (千瓦)	6.0		5.7
Electrical Current (A) 电流 (安培)	27.3		25
Min-Max Flow Rate (L/min) 最低及最高入水流量要求(升/分钟)	1.5 - 3.4		
Maximum Water Pressure (bar) 最高水压要求	10		
Hot Water Flow Rate @ Δt=25 K(L/min) <sup>(2)/(3)</sup> 每分钟热水流量(热水升温 Δt=25 K) (升/分钟)	3.4		3.0
Temperature Adjustment Range (°C) 可选择温度范围 (°C)	35, 38, 45		
Solar-Compatible 兼容太阳能系统	YES 可	Max Inlet Temperature 70 °C 最高入水水温达 70 °C	
Product Dimensions (mm) 机身尺寸 (毫米)	(H) 135 (W) 186 (D) 87		
Net Weight: Full Tank (kg) 注水后重量 (公斤)	1.5		
Control 控制	Electronic Control 电子控制		
Minimum Cable Size(mm <sup>2</sup> ) 最小电线尺寸(平方毫米)	4		
Inlet / Outlet Water Pipe 入出水喉	1/2"		
Certification / VDE Approval 认证 / VDE防水安全认证	CE / CCC / IEC60335-1 (ed.4) am1, am2, IEC60335-2-35 (ed.4) am1, IP 25 / Class 1 / VDE		
Applications 应用	Kitchen Sink, Wash Basin 锌盆、洗手盆		

(1) Regulations vary according to the regional power supply authority. Must only be connected by a qualified electrician. Actual power consumption varies according to water flow rate, inlet, and outlet temperature.  
具体规定随当地供电部门的不同而变化，必须由有相关资格的电工进行安装。实际耗电量视水流量及入出水温度而定。

(2) Mixed water.  
混合冷水。

(3) Temperature increase eg. from 15°C to 40°C.  
例如温度从15°C升至40°C。

(4) If there is any inconsistency or ambiguity between the English and Chinese versions, the English version shall prevail.  
中英文版本如有出入，一概以英文版为准。

# GPI-M7

Hong Kong & Macau Market Only  
香港和澳门市场专用

# MDX6-220

China Market Only  
中国市场专用

FULL ELECTRONIC CONTROL 全电子控制



## Features 产品特点

- Ultra compact design
  - Full electronic control with IES® Bare Wire Heating System
  - Instant supply of hot water between approx. 30°C-50°C
  - No pre-heating or heat loss, saving up to 85% energy
  - Double pole thermal cut-out protection
  - Ø 1/2" Inlet/outlet water pipes; supplied with suitable power cable
  - Compatible with LED sensor tap or any other conventional tap
  - 1-phase electric power
  - Single-point application only
  - Awarded CE, CCC, and EU Energy Efficiency Class A
  - 100% engineered and made in Germany
- 迷你外型极简设计
  - 全电子控制，IES®明线加热线制热
  - 即时加热供应约30°C-50°C热水
  - 无需预热、无热量流失，节能高达85%
  - 双极断路保护
  - Ø 1/2" 入出水喉，并附设电源线
  - 相容LED自动感应龙头或一般普通龙头
  - 适用单相电源
  - 单一出水口
  - 荣获CE和CCC认证及欧盟A级能源效益
  - 100%德国设计及制造

## Applications 应用



## Award 奖项

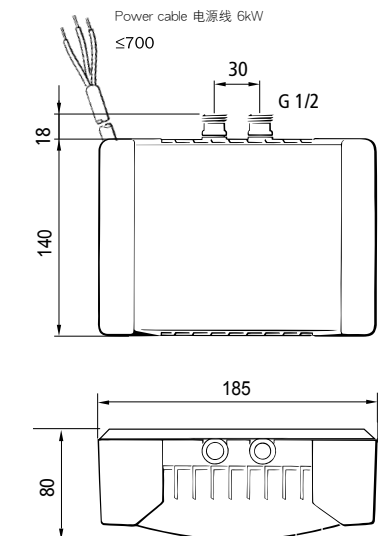


## Accessories 配件



An Example of an LED Sensor Tap  
LED 自动感应龙头范例

## Installation Diagram 安装图



1 Phase  
单相

Single-Point  
application  
单一出水口

## Certification 认证



荣获欧盟A级能源效益认证



## LED Sensor Tap LED 自动感应龙头

- Touch-free sensor-tap for hygienic and energy-efficient use
- Red or green LED indicates hot or cold water respectively
- Temperature adjustment lever
- Made in Germany
- Available as a set with MBX6, GPI-M7/MDX6-220, GPI-M8, MCX6

- 可触感应操作，省电卫生
- LED视觉化水温选择（红：热，绿：冷）
- 可透过龙头调节水温
- 100%德国制造
- 可与MBX6, GPI-M7/MDX6-220, GPI-M8, MCX6型号热水器组合选购

### ACCESSORY 专用配件



## Specifications 规格

Model 型号	GPI-M7/MDX6-220	
Voltage / Frequency(V/Hz) 电压 / 频率 (伏特 / 赫兹)	220 V/50 Hz	
Power Supply (1-Phase / 3-Phase) 电源 (单相 / 三相)	1-Phase 单相	
Power (kW) <sup>(1)</sup> 功率 (千瓦)	6.0	
Electrical Current (A) 电流 (安培)	27.3	
Min-Max Flow Rate (L/min) 最低及最高入水流量要求(升/分钟)	1.5 - 3.3	
Maximum Water Pressure (bar) 最高水压要求	10	
Hot Water Flow Rate @ $\Delta t=25$ K(L/min) <sup>(2)(3)</sup> 每分钟热水流量(热水升温 $\Delta t=25$ K)(升/分钟)	3.3	
Temperature Adjustment Range (°C) 可选择温度范围 (°C)	30 - 50	
Solar-Compatible 兼容太阳能系统	YES 可	Max Inlet Temperature 60°C 最高入水水温达 60°C
Product Dimensions (mm) 机身尺寸 (毫米)	(H) 140 (W) 185 (D) 80	
Net Weight: Full Tank (kg) 注水后重量 (公斤)	1.5	
Control 控制	Electronic Control 电子控制	
Minimum Cable Size(mm <sup>2</sup> ) 最小电线尺寸(平方毫米)	4	
Inlet / Outlet Water Pipe 入出水喉	1/2"	
Certification / VDE Approval 认证 / VDE防水安全认证	CE / CCC / IEC60335-1 (ed.4) am1, am2, IEC60335-2-35 (ed.4) am1, IP 24 (undersink installation)/Class 1, IP 25 (oversink installation)/Class 1	
Applications 应用	Kitchen Sink, Wash Basin 锌盆、洗手盆	

(1) Regulations vary according to the regional power supply authority. Must only be connected by a qualified electrician. Actual power consumption varies according to water flow rate, inlet, and outlet temperature.  
具体规定随当地供电部门的不同而变化，必须由有相关资格的电工进行安装。实际耗电量视水流量及入出水温度而定。

(2) Mixed water.  
混合冷水。

(3) Temperature increase eg. from 15°C to 40°C.  
例如温度从15°C升至40°C。

(4) If there is any inconsistency or ambiguity between the English and Chinese versions, the English version shall prevail.  
中英文版本如有出入，一概以英文版为准。

# GPI-M6

Hong Kong & Macau Market Only  
香港和澳门市场专用

## HYDRAULIC CONTROL 水压控制

### Features 产品特点

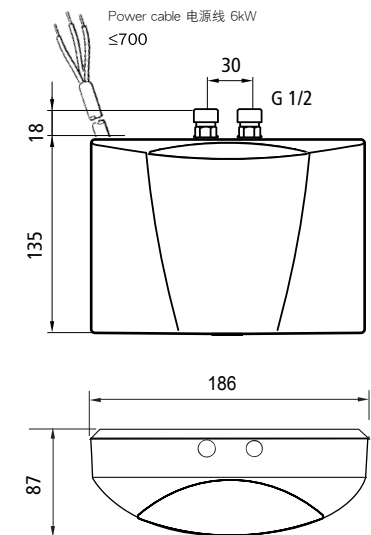
- Mini-sized, hydraulically controlled instantaneous water heater
- IES® bare wire technology is efficient and easy maintenance, with a replaceable heating cartridge
- The heating element is activated automatically as soon as water begins to flow through the unit
- New flow technology for optimum water jet and economical water consumption
- Saves up to 60 % energy in comparison with a small storage water heater
- Ø 1/2" Inlet/outlet water pipes; supplied with suitable power cable
- 1-phase electric power
- Perfect for use in kitchen sink, domestic and commercial hand wash basin
- Awarded CE and CCC
- 100% engineered and made in Germany
- 迷你小巧外型，水压控制
- IES®明线加热系统，高效能又容易保养，设有可更换发热管
- 发热线会于水流入热水器时自动启动，即时将来水加热
- 新技术达至最佳水流和经济用水量
- 与传统储水式热水器比较，节省高达60%用电
- Ø 1/2" 入出水喉，并附设电源线
- 适用单相电源
- 使用范围：厨房洗手盆、家用及商用洗手盆
- 荣获CE和CCC认证
- 100%德国设计及制

### Applications 应用



IES  
SYSTEM

### Installation Diagram 安装图



1 Phase  
单相

Single-Point  
application  
单一出水口

Certification 认证







## Industry-Leading Innovation 领先科技创新

The brand new GPI-M6 mini instantaneous electric water heater is petite in size and easy to install. Replaceable Heating Cartridge with newly designed heating system, heating cartridges can be replaced by simply sliding them out, increasing sustainability of the product.

全新GPI-M6迷你型即热式电热水器，体积小，易于安装。  
新可替换发热管设计，方便退出替换，更持久耐用。



## KEY FEATURE 焦点特色

## Specifications 规格

Model 型号	GPI-M6
Voltage / Frequency(V/Hz) 电压 / 频率 (伏特 / 赫兹)	220V/50Hz
Power Supply (1-Phase / 3-Phase) 电源 (单相 / 三相)	1-Phase 单相
Power (kW) <sup>(1)</sup> 功率 (千瓦)	6.0
Electrical Current (A) 电流 (安培)	27.3
Min-Max Flow Rate (L/min) 最低及最高入水流量要求(升/分钟)	2.2 - 3.3
Maximum Water Pressure (bar) 最高水压要求	10
Hot Water Flow Rate @ $\Delta t=25$ K(L/min) <sup>(2)(3)</sup> 每分钟热水流量(热水升温 $\Delta t=25$ K)(升/分钟)	3.3
Temperature Adjustment Range (°C) 可选择温度范围 (°C)	N/A 不适用
Solar-Compatible 兼容太阳能系统	No 不可
Product Dimensions (mm) 机身尺寸 (毫米)	(H) 135 (W) 186 (D) 87
Net Weight: Full Tank (kg) 注水后重量 (公斤)	1.5
Control 控制	Hydraulic Control 水压控制
Minimum Cable Size(mm <sup>2</sup> ) 最小电线尺寸(平方毫米)	4
Inlet / Outlet Water Pipe 入出水喉	1/2"
Certification / VDE Approval 认证 / VDE防水安全认证	CE / IP25 / VDE
Applications 应用	Kitchen Sink, Wash Basin 锌盆、洗手盆

(1) Regulations vary according to the regional power supply authority. Must only be connected by a qualified electrician. Actual power consumption varies according to water flow rate, inlet, and outlet temperature.  
具体规定随当地供电部门的不同而变化，必须由有相关资格的电工进行安装。实际耗电电量视水流量及入出水温度而定。

(2) Mixed water.  
混合冷水。

(3) Temperature increase eg. from 15°C to 40°C.  
例如温度从15°C升至40°C。

(4) If there is any inconsistency or ambiguity between the English and Chinese versions, the English version shall prevail.  
中英文版本如有出入，一概以英文版为准。

# MBX6-220/MBX6

China Market Only  
中国市场专用

## FULL ELECTRONIC CONTROL 全电子控制

### Features 产品特点

- Compact, stylish, and space saving design
  - High-efficiency instantaneous water heater
  - Effective IES® bare wire heating system provides hot water instantly without heat loss
  - Instant supply of hot water ranging from 30°C to 45°C
  - No pre-heating needed, significant energy saving compared to conventional storage water heater
  - Ø 1/2" Inlet/outlet water pipes; supplied with suitable power cable
  - Compatible with LED sensor tap or any other conventional tap
  - 1-phase electric power
  - Perfect for use in kitchen sink, domestic and commercial hand wash basin
  - Awarded CE, CCC, and EU Energy Efficiency Class A
  - 100% engineered and made in Germany
- 外型美观、小巧、省位
  - 高效能即热式电热水器
  - IES®明线加热系统将水高效加热，无热损耗，即时供应源源不绝热水
  - 即时加热供应约30°C至45°C热水
  - 无须预热，比传统储水式热水供应系统节省能源
  - Ø 1/2" 出入水喉，并附设电源线
  - 相容LED自动感应龙头及一般普通龙头
  - 适用单相电源
  - 使用范围：厨房洗手盆、家用及商用洗手盆
  - 荣获CE和CCC认证及欧盟A级能源效益
  - 100%德国设计及制造

### Applications 应用



Suitable for  
**SOLAR**  
System  
兼容太阳能系统

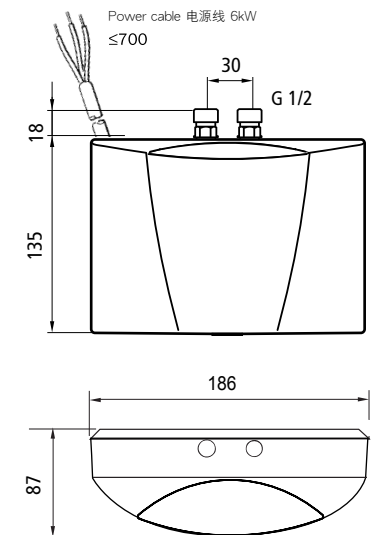
**IES**  
SYSTEM

### Accessories 配件



An Example of an LED Sensor Tap  
LED 自动感应龙头范例

### Installation Diagram 安装图



1 Phase  
单相

Single-Point  
application  
单一出水口



### Certification 认证



荣获欧盟A级能源效益认证



## Industry-Leading Innovation 领先科技创新

The brand new MBX6 mini instantaneous electric water heater is petite in size and easy to install. Replaceable Heating Cartridge with newly designed heating system, heating cartridges can be replaced by simply sliding them out, increasing sustainability of the product.

全新MBX6迷你型即热式电热水器，体积小，易于安装。新可替换发热管设计，方便退出替换，更持久耐用。



## KEY FEATURE 焦点特色

## Specifications 规格

Model 型号	MBX6-220	MBX6
Voltage / Frequency(V/Hz) 电压 / 频率 (伏特 / 赫兹)	220V/50Hz	220-240V/50Hz
Power Supply (1-Phase / 3-Phase) 电源 (单相 / 三相)	1-Phase 单相	
Power (kW) <sup>(1)</sup> 功率 (千瓦)	6.0	5.7
Electrical Current (A) 电流 (安培)	27.3	25
Min-Max Flow Rate (L/min) 最低及最高入水流量要求(升/分钟)	1.5 - 3.4	
Maximum Water Pressure (bar) 最高水压要求	10	
Hot Water Flow Rate @ $\Delta t=25$ K(L/min) <sup>(2)(3)</sup> 每分钟热水流量(热水升温 $\Delta t=25$ K)(升/分钟)	3.4	3.0
Temperature Adjustment Range (°C) 可选择温度范围 (°C)	N/A 不适用	
Solar-Compatible 兼容太阳能系统	YES 可	Max Inlet Temperature 70°C 最高入水水温达 70°C
Product Dimensions (mm) 机身尺寸 (毫米)	(H) 135 (W) 186 (D) 87	
Net Weight: Full Tank (kg) 注水后重量 (公斤)	1.5	
Control 控制	Electronic Control 电子控制	
Minimum Cable Size(mm <sup>2</sup> ) 最小电线尺寸(平方毫米)	4	
Inlet / Outlet Water Pipe 出入水喉	1/2"	
Certification / VDE Approval 认证 / VDE防水安全认证	CE / CCC / IP25 / VDE	
Applications 应用	Kitchen Sink, Wash Basin 锌盆、洗手盆	

(1) Regulations vary according to the regional power supply authority. Must only be connected by a qualified electrician. Actual power consumption varies according to water flow rate, inlet, and outlet temperature.  
具体规定随当地供电部门的不同而变化，必须由有相关资格的电工进行安装。实际耗电量视水流量及出入水温而定。

(2) Mixed water.  
混合冷水。

(3) Temperature increase eg. from 15°C to 40°C.  
例如温度从15°C升至40°C。

(4) If there is any inconsistency or ambiguity between the English and Chinese versions, the English version shall prevail.  
中英文版本如有出入，一概以英文版为准。



## COMPACT SERIES

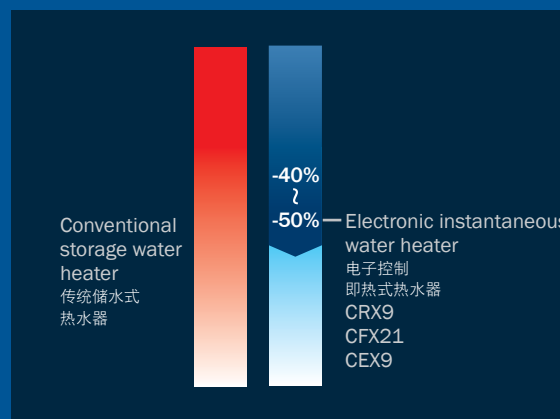
VERSATILE FUNCTIONS AND SPACE-SAVING  
*KITCHEN SINK · WASH BASIN · SHOWER · BATH*

**THE COMPACT SERIES** are made for installation in the bathroom, below kitchen sinks or wash basins, with most models supporting multi-point use. The space-saving and economical Compact Series supplies sufficient hot water for a range of functions including bathing, hand or dish washing, and express showers.

### 纤巧系列

德国宝纤巧系列即热式电热水器，安装方便，用途广泛，机身轻薄并节省能源和空间。纤巧系列适用于浴室、洗手盆及厨房锌盆，可供应一个或多个出水位，为洗手、洗碗、淋浴或泡澡即时供应恒温热水。

### ENERGY EFFICIENT PERFORMANCE 高效运作



- No need for hot water storage
- Water only heated precisely as needed
- Compact size – suitable for wash basins, kitchen sinks and bathrooms
- Energy savings of up to 40%\*

- 无须预先储存热水
- 按需要即时加热用水
- 机身轻薄，用途广泛，适用于洗手盆、厨房锌盆和浴室
- 节能高达40%\*

\*When compared with a conventional storage water heater  
与传统储水式热水器节能效果比较



# CFX21

Innovative Design for Versatile Installation  
 创新设计 安装灵活

## Features 产品特点

- Suitable for under ceiling operation
  - Electronic control with IES® Bare Wire Heating System
  - Multiple Power System MPS®: Power rating can be set at 16.2kW-19.4kW or 19.0kW-22.6kW (380-415V) on installation
  - Twin Temperature Control (TTC®) inlet and outlet for precise hot water temperatures between 20°C-60°C
  - Heating power automatically adjusted to compensate variable inlet pressures and inlet temperatures
  - Compatible with solar heating system; suitable for pre-heated water of up to 70°C
  - Single- or multi-point application
  - Wireless remote control
  - 3-phase electric power
  - Awarded CE, CCC, and EU Energy Efficiency Class A
  - 100% engineered and made in Germany
- 适合藏天花式安装
  - 电子控制，IES®明线加热线制热
  - MPS®多功率调校系统：安装时可设定功率 16.2kW-19.4kW或19.0kW-22.6kW (380-415V)
  - TTC®双温度控制系统精确设定20°C-60°C出水
  - 根据流量和入水水温自动调节功率，节能省电
  - 相容太阳能加热系统；入水预热可达70°C
  - 单一或多点出水口
  - 无线遥控控制
  - 适用于三相电源
  - 荣获CE和CCC认证及欧盟A级能源效益
  - 100%德国设计及制造

## Applications 应用

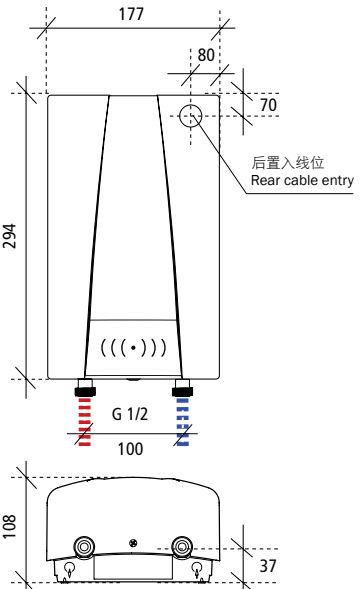


Suitable for SOLAR System 兼容太阳能系统  
 Suitable for Smart Control 兼容智能热水器控制系统  
 IES SYSTEM

## Accessories 配件



## Installation Diagram 安装图



## Certification 认证



The above information and photos are for reference only.



## FX Wireless Remote Control

### FX 无线遥控器

The FX remote control gives users complete control over their water heaters irrespective of their installed location. Compatible with CEX, CFX, DEX, DEX12, and DSX, the FX remote control with its 10m range allows users to easily adjust temperature and memory settings, whether the water heaters are installed inside a kitchen cabinet or behind faux panels or ceilings.

不论热水器安装于何处，例如在厨柜内或藏于假天花中，FX无线遥控的10米控制范围都能让用户轻松地控制热水器。FX无线遥控与CEX、CFX、DEX、DEX12及DSX型号相容。

### KEY FEATURE 焦点特色



## Specifications 规格

Model 型号	CFX21	
Voltage / Frequency(V/Hz) 电压 / 频率 (伏特 / 赫兹)	380 - 415 V/50 Hz	
Power Supply (1-Phase / 3-Phase) 电源 (单相 / 三相)	3-Phase 三相	
Power (kW) <sup>(1)</sup> 功率 (千瓦)	16.2 - 19.4	19.0 - 22.6
Electrical Current (A) 电流 (安培)	25 - 27	29 - 31
Min-Max Flow Rate (L/min) 最低及最高入水流量要求(升/分钟)	2.5 - 8.0 <sup>(2)</sup>	
Maximum Water Pressure (bar) 最高水压要求	10	
Hot Water Flow Rate @ Δt=25 K(L/min) 每分钟热水流量(热水升温 Δt=25 K)(升/分钟)	9.2 - 10.7	
Temperature Adjustment Range(°C) 可选择温度范围 (°C)	20 - 60	
Solar-Compatible 兼容太阳能系统	YES 可	Max Inlet Temperature 70°C 最高入水水温达 70°C
Product Dimensions (mm) 机身尺寸 (毫米)	(H) 294 (W) 177 (D) 108	
Net Weight: Full Tank (kg) 注水后重量 (公斤)	3.1	
Control 控制	Electronic Control 电子控制	
Minimum Cable Size(mm <sup>2</sup> ) 最小电线尺寸(平方毫米)	4	
Inlet / Outlet Water Pipe 出入水喉	1/2"	
Certification / VDE Approval 认证 / VDE防水安全认证	CE / CCC / IEC60335-1 (ed.4), IEC60335-2-35 (ed.4), IP 25 / Class 1 / VDE	
Applications 应用	Bath, Shower, Kitchen Sink, Wash Basin 浴盆、淋浴、锌盆、洗手盆	

(1) Regulations vary according to the regional power supply authority. Must only be connected by a qualified electrician. Actual power consumption varies according to water flow rate, inlet, and outlet temperature.  
具体规定随当地供电部门的不同而变化，必须由有相关资格的电工进行安装。实际耗电量视水流量及出入水温度而定。

(2) Flow is limited in order to obtain optimal temperature increase.  
为取得最佳升温效果，对水流进行了限制。

(3) CEX21 and CFX21 high power water heater require environmental temperature not exceeding 25°C. The installation must comply to local safety regulations and must be executed by responsible and qualified technician only.  
CEX21及CFX21高功率热水器运作时环境温度不可超过25°C，安装必须符合当地电工标准及由持证技师完成。

(4) If there is any inconsistency or ambiguity between the English and Chinese versions, the English version shall prevail.  
中英文版本如有出入，一概以英文版为准。



3 Phase  
三相

Multi-Point  
application  
多点出水口



Certification 认证

# CEX21

Energy-Saving Design Suitable for Solar System  
省电设计 相容太阳能加热系统

## Features 产品特点

- Suitable for under ceiling operation
- Electronic control with IES® Bare Wire Heating System
- Multiple Power System MPS®: Power rating can be set at 16.2kW-19.4kW or 19.0kW-22.6kW (380-415V) on installation
- Twin Temperature Control (TTC®) inlet and outlet for precise hot water temperatures between 20°C-60°C
- Heating power automatically adjusted to compensate variable inlet pressures and inlet temperatures
- Compatible with solar heating system; suitable for pre-heated water of up to 70°C
- Single- or multi-point application
- Optional wireless remote control
- 3-phase electric power
- Awarded CE, CCC, and EU Energy Efficiency Class A
- 100% engineered and made in Germany
- 适合藏天花式安装
- 电子控制，IES®明线加热线制热
- MPS®多功率调校系统：安装时可设定功率 16.2kW-19.4kW或19.0kW-22.6kW (380-415V)
- TTC®双温度控制系统精确设定20°C-60°C出水
- 根据流量和入水水温自动调节功率，节能省电
- 相容太阳能加热系统；入水预热可达70°C
- 单点或多点出水
- 可选用无线遥控器（需自行选购）
- 适用于三相电源
- 荣获CE和CCC认证及欧盟A级能源效益
- 100%德国设计及制造

## Applications 应用



Suitable for  
**SOLAR**  
System  
兼容太阳能系统

Suitable for  
**Smart Control**  
兼容智能热水器控制系统

**IES**  
SYSTEM

## Award 奖项

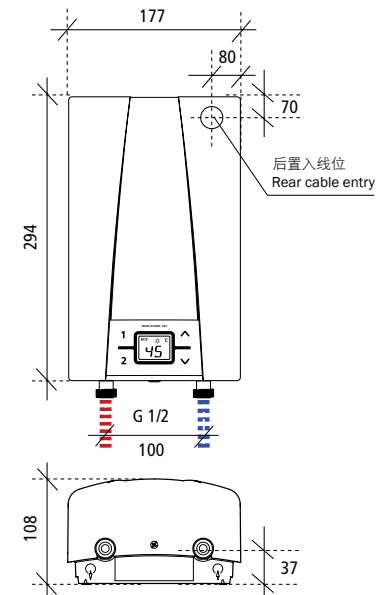


## Accessories 配件



FX Wireless Remote Control (Optional)  
FX 无线遥控器 (需另购)

## Installation Diagram 安装图







## Industry-Leading Innovation 领先科技创新

The CEX21 represents the future of compact electric water heaters. Perfect for under-ceiling installation – an industry first – CEX21 is a revolutionary compact VDE-approved water heaters.

CEX21即热式电热水器代表着德国宝纤巧型即热式电热水器的新顶峰。行业首创藏天花式安装，怪位美观，引领纤巧型热水器的新潮流。

### KEY FEATURE 焦点特色



## Specifications 规格

Model 型号	CEX21	
Voltage / Frequency(V/Hz) 电压 / 频率 (伏特 / 赫兹)	380 - 415 V/50 Hz	
Power Supply (1-Phase / 3-Phase) 电源 (单相 / 三相)	3-Phase 三相	
Power (kW) <sup>(1)</sup> 功率 (千瓦)	16.2 - 19.4	19.0 - 22.6
Electrical Current (A) 电流 (安培)	25 - 27	29 - 31
Min-Max Flow Rate (L/min) 最低及最高入水流量要求(升/分钟)	2.5 - 8.0 <sup>(2)</sup>	
Maximum Water Pressure (bar) 最高水压要求	10	
Hot Water Flow Rate @ Δt=25K(L/min) 每分钟热水流量(热水升温 Δt=25K)(升/分钟)	9.2 - 10.7	
Temperature Adjustment Range(°C) 可选择温度范围 (°C)	20 - 60	
Solar-Compatible 兼容太阳能系统	YES 可	Max Inlet Temperature 70°C 最高入水温度达 70°C
Product Dimensions (mm) 机身尺寸 (毫米)	(H) 294 (W) 177 (D) 108	
Net Weight: Full Tank (kg) 注水后重量 (公斤)	2.7	
Control 控制	Electronic Control 电子控制	
Minimum Cable Size(mm <sup>2</sup> ) 最小电线尺寸(平方毫米)	4	4
Inlet / Outlet Water Pipe 入出水喉	1/2"	
Certification / VDE Approval 认证 / VDE防水安全认证	CE / CCC / IEC60335-1 (ed.4), IEC60335-2-35 (ed.4), IP 25 / Class 1 / VDE	
Applications 应用	Bath, Shower, Kitchen Sink, Wash Basin 浴盆、淋浴、锌浴、洗手盆	

- (1) Regulations vary according to the regional power supply authority. Must only be connected by a qualified electrician. Actual power consumption varies according to water flow rate, inlet, and outlet temperature.  
具体规定随当地供电部门的不同而变化，必须由有相关资格的电工进行安装。实际耗电量视水流量及出入水温度而定。
- (2) Flow is limited in order to obtain optimal temperature increase.  
为取得最佳升温效果，对水流进行了限制。
- (3) CEX21 and CFX21 high power water heaters require environmental temperature not exceeding 25°C. The installation must comply to local safety regulations and must be executed by responsible and qualified technician only.  
CEX21及CFX21高功率热水器运作时环境温度不可超过25°C，安装必须符合当地电工标准及由持照技师完成。
- (4) If there is any inconsistency or ambiguity between the English and Chinese versions, the English version shall prevail.  
中英文版本如有出入，一概以英文版为准。



GERMAN  
POOL  
MADE IN GERMANY

MADE IN GERMANY

3 Phase  
三相

Multi-Point  
application  
多点出水口



Certification 认证

# CEX CEX 13

China Only  
只限中国

Programmable Keys to Suit Personal Preference  
独立程序按键 灵活设定个人需要

## Features 产品特点

- Electronically-controlled with IES® Bare Wire Heating System
  - Multiple Power System MPS®: Power rating can be set at 10.0kW-11.8kW or 12.2kW-14.5kW (380-415V) upon installation
  - 2 programmable buttons allow personalised selection of pre-set temperatures
  - Twin Temperature Control (TTC®) for precise hot water supply between 20°C-60°C
  - Power is automatically adjusted according to the flow rate and inlet temperature for high energy efficiency
  - Supports pre-heated incoming water up to 70°C (compatible with solar heating system)
  - Control panel with LCD display
  - Optional wireless remote control available
  - 3-phase electric power
  - Awarded CE, CCC, and EU Energy Efficiency Class A
  - 100% engineered and made in Germany
- 电子控制，IES®明线加热线制热
  - MPS® 多功率调校系统：安装时可设定功率 10.0kW-11.8kW或12.2kW-14.5kW (380 - 415V)
  - 2个独立程序按键，灵活设定个人所需温度值
  - TTC® 双温度控制系统精确设定20°C-60°C出水
  - 根据流量和入水水温自动调节功率，节能省电
  - 入水水温可高达70°C，能兼容太阳能加热系统
  - 附LCD显示器与设定按键
  - 可选用无线遥控器(需自行选购)
  - 适用于三相电源
  - 荣获CE和CCC认证及欧盟A级能效效益
  - 100%德国设计及制造

## Applications 应用



Suitable for  
**SOLAR**  
System  
兼容太阳能系统

Suitable for  
**Smart Control**  
兼容智能热水器控制系统

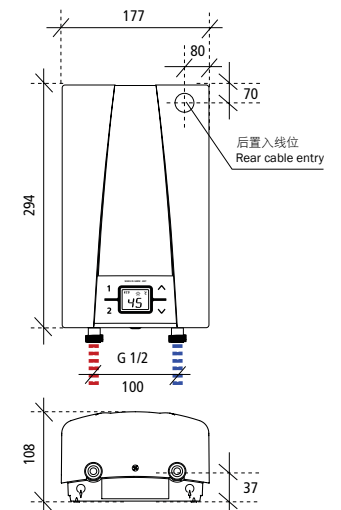
**IES**  
SYSTEM

## Accessories 配件



FX Wireless Remote Control (Optional)  
FX 无线遥控器 (需另购)

## Installation Diagram 安装图





## Solar-Compatible For Unlimited Hot Water

### 高效太阳能系统 热水无间断享受

German Pool's water heater series are an excellent companion to solar energy systems. Most models in the series are solar-compatible and support inlet water of up to 70°C. When a German Pool water heater is coupled with solar panels, electricity is used only in low light conditions, helping to conserve the planet's energy reserves without sacrificing the pleasure of an endless hot water supply.

德国宝即热式电热水器系列真正做到与太阳能完美结合，大部分型号兼容太阳能系统，最高入水温度高达70°C，在太阳能不足的环境下才以电力调节水温，既对环保节能出一分力，又丝毫不损热水无限量供应的极致享受。

### KEY FEATURE 焦点特色



## Specifications 规格

Model 型号	CEX / CEX13	
Voltage / Frequency(V/Hz) 电压 / 频率 (伏特 / 赫兹)	380 - 415 V/50 Hz	
Power Supply (1-Phase / 3-Phase) 电源 (单相 / 三相)	3-Phase 三相	
Power (kW) <sup>(1)</sup> 功率 (千瓦)	10.0 - 11.8	12.2 - 14.5
Electrical Current (A) 电流 (安培)	14 - 17	18 - 21
Min-Max Flow Rate (L/min) 最低及最高入水流量要求(升/分钟)	2.0 - 5.0 <sup>(2)</sup>	
Maximum Water Pressure (bar) 最高水压要求	10	
Hot Water Flow Rate @ Δt=25 K(L/min) <sup>(3)(4)</sup> 每分钟热水流量(热水升温Δt=25 K)(升/分钟)	5.6	6.9
Temperature Adjustment Range(°C) 可选择温度范围(°C)	20 - 60	
Solar-Compatible 兼容太阳能系统	YES 可	Max Inlet Temperature 70°C 最高入水水温达 70°C
Product Dimensions (mm) 机身尺寸 (毫米)	(H) 294 (W) 177 (D) 108	
Net Weight: Full Tank (kg) 注水后重量 (公斤)	2.7	
Control 控制	Electronic Control 电子控制	
Minimum Cable Size(mm <sup>2</sup> ) 最小电线尺寸(平方毫米)	1.5	2.5
Inlet / Outlet Water Pipe 出入水喉	1/2"	
Certification / VDE Approval 认证 / VDE防水安全认证	CE / CCC / IEC60335-1 (ed.4), IEC60335-2-35 (ed.4), IP 25 / Class 1	
Applications 应用	Shower, Kitchen Sink, Wash Basin 淋浴、锌盆、洗手盆	

- (1) Regulations vary according to the regional power supply authority. Must only be connected by a qualified electrician. Actual power consumption varies according to water flow rate, inlet, and outlet temperature.  
具体规定随当地供电部门的不同而变化，必须由有相关资格的电工进行安装。实际耗电量视水流量及出入水温而定。
- (2) Flow is limited in order to obtain optimal temperature increase. CEX13 are inserted with flow limiter 5L/min.  
为取得最佳升温效果，对水流进行了限制。CEX13内置限流器(5 L/min)。
- (3) Temperature increase eg. from 20°C to 45°C.  
例如温度从20°C升至45°C。
- (4) Mixed water.  
混合冷水。
- (5) If there is any inconsistency or ambiguity between the English and Chinese versions, the English version shall prevail.  
中英文版本如有出入，一概以英文版为准。



1 Phase  
单相

Multi-Point  
application  
多点出水口



Certification 认证

# CEX9

Versatility combined with Energy-Saving Suitable for Solar System  
灵活设定 环保节能 相容太阳能加热系统

## Features 产品特点

- Electronically-controlled with IES® Bare Wire Heating System
- Multiple Power System MPS®: Power rating can be set at 6.0kW-7.2kW or 8.0kW-9.6kW (220-240V) upon installation
- 2 programmable buttons allow personalised selection of pre-set temperatures
- Twin Temperature Control (TTC®) for precise hot water supply between 20°C and 55°C
- Power is automatically adjusted according to the flow rate and inlet temperature for high energy efficiency
- Supports pre-heated incoming water up to 70°C (compatible with solar heating system)
- Control panel with LCD display
- Optional wireless remote control available
- 1-phase electric power
- 1/2" water inlet and outlet connections
- Awarded CE, CCC, and EU Energy Efficiency Class A
- 100% engineered and made in Germany
- 电子控制，IES®明线加热线制热
- MPS®多功率调校系统：安装时可设定功率 6.0kW-7.2kW或8.0kW-9.6kW (220 - 240V)
- 2个独立程序按键，灵活设定个人所需温度值
- TTC®双温度控制系统精确设定20°C-55°C出水
- 根据流量和入水水温自动调节功率，节能省电
- 入水水温可高达70°C，能兼容太阳能加热系统
- 附大屏幕液晶显示器
- 可选用无线遥控器(需自行选购)
- 适用于单相电源
- Ø 1/2" 入出水喉
- 荣获CE和CCC认证及欧盟A级能源效益
- 100%德国设计及制造

## Applications 应用



Suitable for  
**SOLAR**  
System  
兼容太阳能系统

Suitable for  
**Smart Control**  
兼容智能热水器控制系统

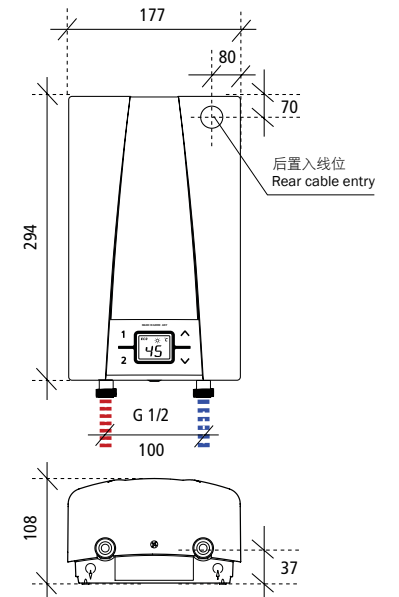
**IES**  
SYSTEM

## Accessories 配件



FX Wireless Remote Control (Optional)  
FX 无线遥控器 (需另购)

## Installation Diagram 安装图





## FX Wireless Remote Control

### FX 无线遥控器

### ACCESSORY 专用配件

- Suitable for all CX models as well as DSX, DEX and DEX12
- Allow convenient adjustment of water temperature
- 2 programmable buttons allow quick selection of preset temperature
- LCD panel for clear display of operating status
- 10m signal range
- IP20 Protection
- Made in Germany
- 适用于CX系列及DSX，DEX及DEX12
- 操作方便，随时调校水温
- 2个独立程序按键，灵活设定个人所需温度值
- 液晶显示屏清晰显示操作状态
- 10米有效控制范围
- IP20防水级别
- 100%德国制造



以上资料及产品图片仅供参考。

## Specifications 规格

Model 型号	CEX9	
Voltage / Frequency(V/Hz) 电压 / 频率 (伏特 / 赫兹)	220 - 240 V/50 Hz	
Power Supply (1-Phase / 3-Phase) 电源 (单相 / 三相)	1-Phase 单相	
Power (kW) <sup>(1)</sup> 功率 (千瓦)	6.0 - 7.2	8.0 - 9.6
Electrical Current (A) 电流 (安培)	27.3 - 30	36.4 - 40
Min-Max Flow Rate (L/min) 最低及最高入水流量要求(公升/分钟)	2.0 - 5.0 <sup>(2)</sup>	
Maximum Water Pressure (bar) 最高水压要求	10	
Hot Water Flow Rate @ Δt=25 K(L/min) <sup>(3)(4)</sup> 每分钟热水流量(热水升温Δt=25 K)(公升/分钟)	3.8	5.0
Temperature Adjustment Range(°C) 可选择温度范围(°C)	20 - 55	
Solar-Compatible 兼容太阳能系统	YES 可	Max Inlet Temperature 70°C 最高入水水温达 70°C
Product Dimensions (mm) 机身尺寸 (毫米)	(H) 294 (W) 177 (D) 108	
Net Weight: Full Tank (kg) 注水后重量 (公斤)	2.7	
Control 控制	Electronic Control 电子控制	
Minimum Cable Size(mm <sup>2</sup> ) 最小电线尺寸(平方毫米)	4	6
Inlet / Outlet Water Pipe 出入水喉	1/2"	
Certification / VDE Approval 认证 / VDE防水安全认证	CE / CCC / IEC60335-1 (ed.4), IEC60335-2-35 (ed.4), IP 25 / Class 1 / VDE	
Applications 应用	Shower, Kitchen Sink, Wash Basin 淋浴、锌盆、洗手盆	

- (1) Regulations vary according to the regional power supply authority. Must only be connected by a qualified electrician. Actual power consumption varies according to water flow rate, inlet, and outlet temperature.  
具体规定随当地供电部门的不同而变化，必须由有相关资格的电工进行安装。实际耗电量视水流量及出入水温而定。
- (2) Flow is limited in order to obtain optimal temperature increase. CEX9 are inserted with flow limiter 5L/min.  
为取得最佳升温效果，对水流进行了限制。CEX9内置限流器(5 L/min)。
- (3) Mixed water.  
混合冷水。
- (4) Temperature increase eg. from 20°C to 45°C.  
例如温度从20°C升至45°C。
- (5) If there is any inconsistency or ambiguity between the English and Chinese versions, the English version shall prevail.  
中英文版本如有出入，一概以英文版为准。



# CRX9

Electronic Control for Precise Water Temperature  
电子调节 精确水温

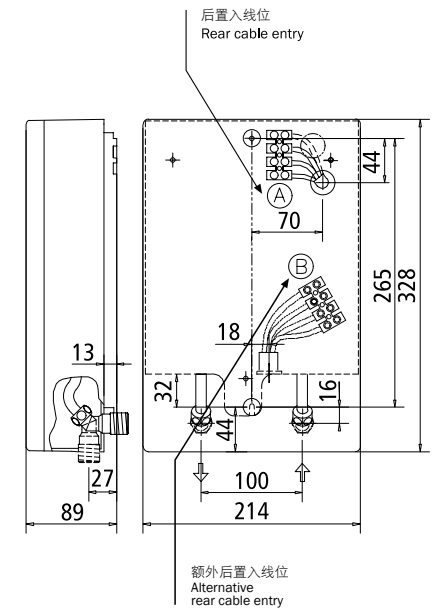
## Features 产品特点

- German-made copper heating element
- Accurate electronic temperature control (35°C-55°C temperature setting)
- Power is automatically adjusted according to the flow rate and inlet temperature for high energy efficiency
- Closed-outlet design with safety temperature limiter
- Control panel with LED digital display
- Single-outlet or multiple-outlet applications
- 1-phase electric power
- Awarded CE and CCC
- 100% engineered and made in Germany
- 原装德国高效紫铜加热系统
- 准确电子温控（35°C至55°C热水选择）
- 根据流量和入水水温自动调节功率，节能省电
- 闭口设计，备有先进水温安全保护装置
- LED显示器与设定按键
- 可作单点或多点使用
- 适用于单相电源
- 荣获CE和CCC认证
- 100%德国设计及制造

## Applications 应用



## Installation Diagram 安装图



Certification 认证



1 Phase  
单相

Multi-Point  
application  
多点出水口



## The Shanghai World Expo 2010 2010年上海世博

Drawing a stunning 73 million visitors from all over the world, the Shanghai World Expo was a truly spectacular event. 246 exhibitors took part in this mega-event in China's largest city, drawing a crowd of almost a million per day. The organisers had to demonstrate world-class services and facilities, and German Pool's water heaters were used in restrooms, food and family gathering zones, manifesting their reputation as reliable, energy-efficient units.

246个参展国和国际组织，来自全球各地多达7,300万的参观者，每日入场人次高达100万，如此盛会，主办单位亦能服务周到，提供世界级的服务和设施。世博园部分洗手间、餐饮区及家庭休闲区更是用上德国宝即热式热水器，以其可靠、节能高效的性能提供舒适周到服务，赢得了声誉。

### PROJECT REFERENCE 指定选用



以上资料及产品图片仅供参考。

## Specifications 规格

Model 型号	CRX9
Voltage / Frequency(V/Hz) 电压 / 频率 (伏特 / 赫兹)	220 - 240 V/50 Hz
Power Supply (1-Phase / 3-Phase) 电源 (单相 / 三相)	1-Phase 单相
Power (kW) <sup>(1)</sup> 功率 (千瓦)	8.1 - 9.6
Electrical Current (A) 电流 (安培)	36.6 - 39.9
Min-Max Flow Rate (L/min) 最低及最高入水流量要求(升/分钟)	2.4 - 5.0 <sup>(2)</sup>
Maximum Water Pressure (bar) 最高水压要求	6
Hot Water Flow Rate @ Δt=25 K(L/min) <sup>(3)(4)</sup> 每分钟热水流量(热水升温 Δt=25 K)(升/分钟)	5.0
Temperature Adjustment Range(°C) 可选择温度范围 (°C)	35 - 55
Solar-Compatible 兼容太阳能系统	NO 不可
Product Dimensions (mm) 机身尺寸 (毫米)	(H) 328 (W) 214 (D) 89
Net Weight: Full Tank (kg) 注水后重量 (公斤)	2.4
Control 控制	Electronic Control 电子控制
Minimum Cable Size(mm <sup>2</sup> ) 最小电线尺寸(平方毫米)	6
Inlet / Outlet Water Pipe 出入水喉	1/2"
Certification / VDE Approval 认证 / VDE防水安全认证	CE / CCC / IEC60335-1 + A1:1994 + A2:1999(ed. 3 1991), IEC60335-2-35 + A1:1999, IP 24(undersink installation)/Class 1, IP 25 (oversink installation)/Class 1
Applications 应用	Shower, Kitchen Sink, Wash Basin 淋浴、锌盆、洗手盆

- Regulations vary according to the regional power supply authority. Must only be connected by a qualified electrician. Actual power consumption varies according to water flow rate, inlet, and outlet temperature.  
具体规定随当地供电部门的不同而变化，必须由有相关资格的电工进行安装。实际耗电量视水流量及出入水温度而定。
- Flow is limited in order to obtain optimal temperature increase. CRX9 are inserted with flow limiter 5L/min.  
为取得最佳升温效果，对水流进行了限制。CRX9内置限流器(5 L/min)。
- Mixed water.  
混合冷水。
- Temperature increase eg. from 20°C to 45°C.  
例如温度从20°C升至45°C。
- If there is any inconsistency or ambiguity between the English and Chinese versions, the English version shall prevail.  
中英文版本如有出入，一概以英文版为准。



**DELUXE HIGH-TECH SERIES**  
ADVANCED HOT WATER SOLUTION  
*KITCHEN SINK · WASH BASIN · SHOWER · BATHTUB*

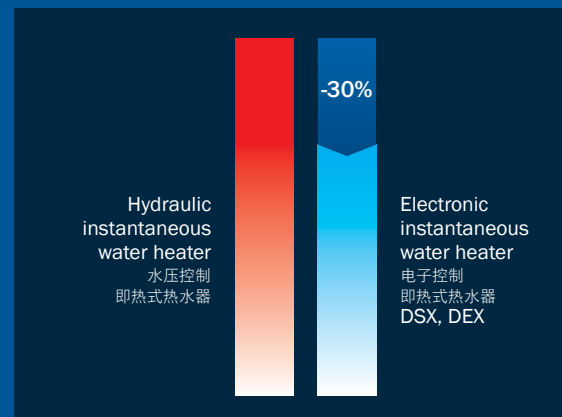


**THE DELUXE HIGH-TECH SERIES** uses intelligent electronic controls to heat water instantly while keeping a constant and comfortable temperature. Also featuring energy-saving design and a classic outlook, the Deluxe High-Tech Series is a consumer's top choice.

### 豪华系列

德国宝豪华系列即热式电热水器以高端智能电子技术供应稳温及舒适热水。节能运作及简约时尚设计使豪华系列即热式电热水器系列夺得至高荣誉。

## ENERGY EFFICIENT PERFORMANCE 高效运作



- Immediate, constant supply of hot water at your exact preferred temperature
- Water only heated as required for energy savings
- No need to add cold water; no energy expended for hot water storage
- Energy savings of up to 30%\*
- Save water and minimise operating costs
- Multi-point installation
- Suitable for preheated water and solar-compatible (DSX/DEX models)

- 即时提供个人所需水温
- 按需加热，节能省电
- 无须加冷水：零热水储存能耗
- 节能高达30%\*
- 节水省钱
- 用途广泛
- 可预热热水，相容太阳能系统（DSX/DEX系列）

\*When compared to a hydraulic instantaneous water heater  
与水压控制即热式热水器节能效果比较



# DSX

Award-Winning Design Suitable for Solar System  
完美设计 获国际环保奖 相容太阳能加热系统

## Features 产品特点

- Fully electronically-controlled with IES® Bare Wire Heating System
  - Multiple Power System MPS®: Power rating can be set at 16.2kW-19.4kW, 19.0kW-22.6kW, 21.6kW-25.8kW (380-415V)/24.4kW-27.0 kW (380-400V) upon installation
  - 4 programmable buttons to easily adjust to your favourite temperatures
  - Colourful digital display showing temperature settings, service information, etc.
  - Twin Temperature Control (TTC®) and Servotronic® dynamic flow control for precise hot water supply between 20°C and 60°C
  - Electronic safety system with temperature and pressure cut-off
  - Suitable for pre-heated incoming water up to 70°C (compatible with solar heating system)
  - Easy installation with exposed or concealed connection possibilities
  - Optional cable or wireless remote control available
  - 3-phase electric power
  - Awarded CE, CCC, and EU Energy Efficiency Class A
  - 100% engineered and made in Germany
- 全电子控制，采用IES®明线加热线制热
  - MPS®多功率调校系统：安装时可设定功率 16.2kW-19.4kW, 19.0kW-22.6kW, 21.6kW-25.8kW (380 - 415V) 或 24.4kW-27.0kW (380 - 400V)
  - 4个预设程序按键，轻松设定个人所需温度
  - 多功能彩灯显示屏，显示温度设定及运作状态
  - Servotronic®动态流动控制和TTC®双温度控制系统精确设定20°C-60°C出水
  - 温度和压力电子安全断电系统
  - 入水水温可高达70°C，能兼容太阳能加热系统
  - 多种接驳方式，安装简单便利
  - 可选用有线或无线遥控器(需自行选购)
  - 适用于三相电源
  - 荣获CE和CCC认证及欧盟A级能源效益
  - 100% 德国设计及制造

## Applications 应用



## Award 奖项



## Accessories 配件

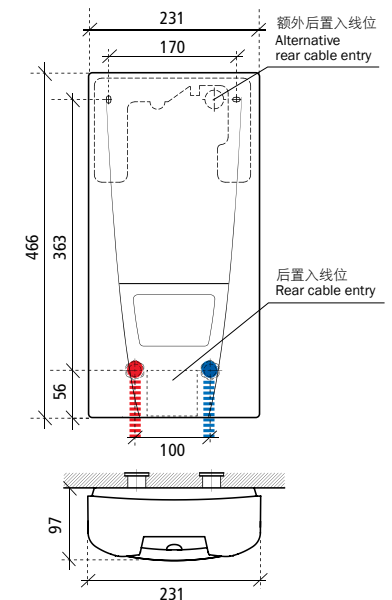


FXK Cable Remote (Optional)  
FXK 有线遥控器 (需另购)



FX Wireless Remote Control (Optional)  
FX 无线遥控器 (需另购)

## Installation Diagram 安装图



## Certification 认证





## Specifications 规格

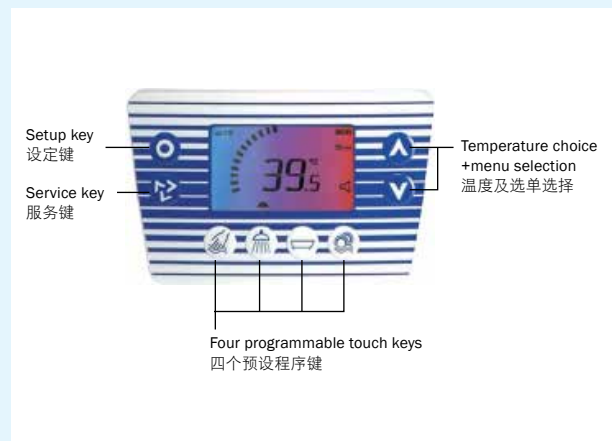
Model 型号	DSX			
Voltage / Frequency(V/Hz) 电压 / 频率 (伏特 / 赫兹)	380 - 415 V / 50 Hz		380 - 400V / 50 Hz	
Power Supply (1-Phase / 3-Phase) 电源 (单相 / 三相)	3-Phase 三相			
Power (kW) <sup>(1)</sup> 功率 (千瓦)	16.2 - 19.4	19.0 - 22.6	21.6 - 25.8	24.4 - 27.0
Electrical Current (A) 电流 (安培)	25 - 27	29 - 30	33 - 36	37 - 39
Min-Max Flow Rate (L/min) 最低及最高入水流量要求(公升/分钟)	2.5 - 8.0 <sup>(2)</sup>			
Maximum Water Pressure (bar) 最高水压要求	10			
Hot Water Flow Rate @ Δt=25 K(L/min) <sup>(3)(4)</sup> 每分钟热水流量(热水升温 Δt=25 K)(公升/分钟)	9.2	10.7	12.3	13.8
Temperature Adjustment Range(°C) 可选择温度范围 (°C)	20 - 60			
Solar-Compatible 兼容太阳能系统	YES 可	Max Inlet Temperature 70 °C 最高入水水温达 70 °C		
Product Dimensions (mm) 机身尺寸 (毫米)	(H) 466 (W) 231 (D) 97			
Net Weight: Full Tank (kg) 注水后重量 (公斤)	4.2			
Control 控制	Electronic Control 电子控制			
Minimum Cable Size(mm²) 最小电线尺寸(平方毫米)	4	4	6	6
Inlet / Outlet Water Pipe 入水喉	1/2"			
Certification / VDE Approval 认证 / VDE防水安全认证	CE / CCC / IEC60335-1 (ed.4), IEC60335-2-35 (ed.4), IP 25/ Class 1			
Applications 应用	Bath, Shower, Kitchen Sink, Wash Basin 浴盆、淋浴、锌盆、洗手盆			

### Multi-functional Display - Exclusive to DSX models DSX系列独有 - 多功能显示幕

- Coloured backlight changes according to chosen temperature
- Clearly shows operating status information e.g. inlet temperature, flow rate, and power consumption
- 4 programmable keys allowing for quick selection of needed temperature (Pre-sets: 35 °C for hand washing, 38 °C for shower, 42 °C for bath and 48 °C for washing dishes).
- Temperature and menu keys enable easy temperature adjustment (20 °C-60 °C) and menu selection
- Energy monitor

- 彩色背灯随所选温度变色
- 清晰显示不同操作状态如入水温度、水流和用电量等
- 4个预设程序按键，快速选择所需温度（预设：洗手35°C；淋浴38°C；浴盆42°C；洗碗48°C）
- 温度及功能选择键，精确调校所需温度（20°C-60°C），并显示操作功能表
- 能耗监视器

### KEY FEATURE 焦点特色



- (1) Regulations vary according to the regional power supply authority. Must only be connected by a qualified electrician. Actual power consumption varies according to water flow rate, inlet, and outlet temperature.  
具体规定随当地供电部门的不同而变化，必须由有相关资格的电工进行安装。实际耗电量视水流量及出入水温度而定。
- (2) Flow is limited in order to obtain optimal temperature increase. DSX are inserted with flow limiter 8L/min.  
为取得最佳升温效果，对水流进行了限制。DSX内置限流器(8 L/min)。
- (3) Temperature increase eg. from 20°C to 45°C.  
例如温度从20°C升至45°C。
- (4) Mixed water.  
混合冷水。
- (5) If there is any inconsistency or ambiguity between the English and Chinese versions, the English version shall prevail.  
中英文版本如有出入，一概以英文版为准。



GERMAN  
POOL  
MADE IN GERMANY

3 Phase  
三相

Multi-Point  
application  
多点出水口



荣获欧盟A级能效效益认证

Certification 认证

# DEX

The Premium Choice with Multifunctionality  
功能全面 高端必选 相容太阳能加热系统

## Features 产品特点

- Electronically-controlled with IES® Bare Wire Heating System
  - Multiple Power System MPS®: Power rating can be set at 16.2kW-19.4kW, 19.0kW-22.6kW, 21.6kW-25.8kW (380-415V)/24.4kW-27.0 kW (380-400V) upon installation
  - 2 programmable buttons to easily adjust to your favourite temperatures
  - Twin Temperature Control (TTC®) for precise hot water supply within 20°C-60°C
  - Electronic safety system with temperature and pressure cut-off
  - Digital display screen
  - Easy installation with exposed or concealed connection possibilities
  - Suitable for pre-heated incoming water up to 70°C (compatible with solar heating system)
  - Optional cable or wireless remote control available
  - 3-phase electric power
  - Awarded CE, CCC, and EU Energy Efficiency Class A
  - 100% engineered and made in Germany
- 电子控制，IES®明线加热线制热
  - MPS®多功率调校系统：安装时可设定功率 16.2kW - 19.4kW, 19.0kW-22.6kW, 21.6kW-25.8kW (380 - 415V)或 24.4kW - 27.0 kW (380 - 400V)
  - 2个独立程序按键，灵活设定个人所需温度值
  - TTC®双温度控制系统精确设定20°C-60°C出水
  - 温度和压力电子安全断电系统
  - 附显示器
  - 多种接驳方式，安装简单便利
  - 入水水温可高达70°C，能兼容太阳能加热系统
  - 可选用有线或无线遥控器(需自行选购)
  - 适用于三相电源
  - 荣获CE和CCC认证及欧盟A级能效效益
  - 100% 德国设计及制造

## Applications 应用



Suitable for  
**SOLAR**  
System  
兼容太阳能系统

Suitable for  
**Smart Control**  
兼容智能热水器控制系统

**IES**  
SYSTEM

## Accessories 配件

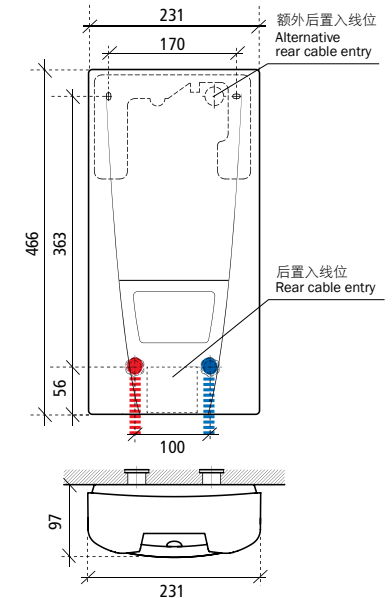


FXK Cable Remote (Optional)  
FXK 有线遥控器 (需另购)



FX Wireless Remote Control (Optional)  
FX 无线遥控器 (需另购)

## Installation Diagram 安装图





## The Chinese University of Hong Kong 香港中文大学

The Chinese University of Hong Kong is a prestigious university located in the New Territories. Student quarters (showers, washrooms, kitchens) are constantly undergoing renovation. Technically outdated appliances are frequently replaced. German Pool's Instantaneous Electric Water Heaters with advanced German technology are installed as the replacement of choice for the outdated appliances.

坐落于香港新界的知名高等学府香港中文大学，定期翻新学生宿舍设施（浴室、洗手间、厨房等），淘汰及更换过时电器。德国宝即热式电热水器，凭借先进德国技术得到选用，成为中文大学热水供应设施的选择。

### PROJECT REFERENCE 指定选用



## Specifications 规格

Model 型号	DEX			
Voltage / Frequency(V/Hz) 电压 / 频率 (伏特 / 赫兹)	380 - 415 V / 50 Hz		380 - 400V / 50 Hz	
Power Supply (1-Phase / 3-Phase) 电源 (单相 / 三相)	3-Phase 三相			
Power (kW) <sup>(1)</sup> 功率 (千瓦)	16.2 - 19.4	19.0 - 22.6	21.6 - 25.8	24.4 - 27.0
Electrical Current (A) 电流 (安培)	25 - 27	29 - 31	33 - 36	37 - 39
Min-Max Flow Rate (L/min) 最低及最高入水流量要求(公升/分钟)	2.5 - 8.0 <sup>(2)</sup>			
Maximum Water Pressure (bar) 最高水压要求	10			
Hot Water Flow Rate @ Δt=25 K(L/min) <sup>(3)(4)</sup> 每分钟热水流量(热水升温 Δt=25 K) (公升/分钟)	9.2	10.7	12.3	13.8
Temperature Adjustment Range(°C) 可选择温度范围 (°C)	20 - 60			
Solar-Compatible 兼容太阳能系统	YES 可	Max Inlet Temperature 70°C 最高入水水温达 70°C		
Dimensions (mm) 尺寸 (毫米)	(H) 466 (W) 231 (D) 97			
Net Weight: Full Tank (kg) 注水后重量 (公斤)	3.7			
Control 控制	Electronic Control 电子控制			
Minimum Cable Size(mm <sup>2</sup> ) 最小电线尺寸(平方毫米)	4	4	6	6
Inlet / Outlet Water Pipe 出入水喉	1/2"			
Certification / VDE Approval 认证 / VDE防水安全认证	CE / CCC / IEC60335-1 (ed.4), IEC60335-2-35 (ed.4), IP 25 / Class 1			
Applications 应用	Bath, Shower, Kitchen Sink, Wash Basin 浴盆、淋浴、钵盆、洗手盆			

- Regulations vary according to the regional power supply authority. Must only be connected by a qualified electrician. Actual power consumption varies according to water flow rate, inlet, and outlet temperature.  
具体规定随当地供电部门的不同而变化，必须由有相关资格的电工进行安装。实际耗电量随水流量及出入水温度而定。
- Flow is limited in order to obtain optimal temperature increase. DEX are inserted with flow limiter 8L/min.  
为取得最佳升温效果，对水流进行了限制。DEX内置限流器(8 L/min)。
- Temperature increase eg. from 20°C to 45°C.  
例如温度从20°C升至45°C。
- Mixed water.  
混合冷水。
- If there is any inconsistency or ambiguity between the English and Chinese versions, the English version shall prevail.  
中英文版本如有出入，一概以英文版为准。



3 Phase  
三相

Multi-Point  
application  
多点出水口



荣获欧盟A级能效认证

Certification 认证

# DCX

Simple One-key Control for Easy Operation  
一键模式 简易操作

## Features 产品特点

- Electronically-controlled with IES® Bare Wire Heating System
  - Multiple Power System MPS®: Power rating can be set at 16.2kW-19.4kW, 19.0kW-22.6kW, 21.6kW-25.8kW (380-415V)/24.4kW-27.0 kW (380-400V) upon installation
  - Easy-to-use single-key control panel for temperature selection: 35°C, 38°C, 42°C, 48°C and 55°C
  - Twin Temperature Control (TTC®) for precise hot water supply
  - Power is automatically adjusted to the flow rate and inlet temperature
  - Electronic safety system with temperature and pressure cut-off
  - Easy installation with various connection possibilities
  - Optional cable remote available
  - 3-phase electric power
  - Awarded CE, CCC, and EU Energy Efficiency Class A
  - 100% engineered, and made in Germany
- 电子控制，IES®明线加热线制热
  - MPS®多功率调控系统：安装时可设功率 16.2kW - 19.4kW, 19.0kW-22.6kW, 21.6kW-25.8kW (380 - 415V)或 24.4kW - 27.0 kW (380 - 400V)
  - 简易一键式控制面板，提供35°C、38°C、42°C、48°C及55°C五种出水温度选择
  - TTC®双温度控制系统精确设定出水温度
  - 根据流量和入水水温自动调节功率，节能省电
  - 温度和压力电子安全断电系统
  - 多种接驳方式，安装简单便利
  - 可选用有线遥控器（需自行选购）
  - 适用于三相电源
  - 荣获CE和CCC认证及欧盟A级能效效益
  - 100% 德国设计及制造

## Applications 应用



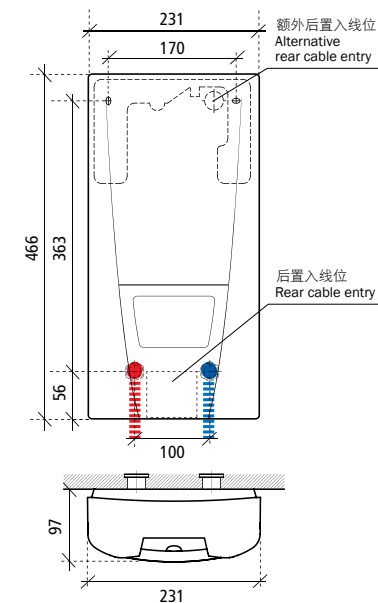
IES  
SYSTEM

## Accessories 配件



FXK Cable Remote (optional)  
FXK有线遥控器（需另购）

## Installation Diagram 安装图





## FXK Cable Remote

### FXK有线遥控器

- Exclusive for DSX, DEX, DEX12, DCX and DBX models only
- Provides easy operation of water heater installed in an inaccessible position
- 2 programmable buttons allow quick selection of preset temperature
- LCD panel for clear display of operating status
- IP 25 Protection
- Made in Germany
- 适用于DSX、DEX、DEX12、DCX及DBX型号
- 如热水器安装于难以触及之处，可透过线控器轻松控制
- 2个独立程序按键，灵活设定个人所需温度值
- 液晶显示屏清晰显示操作状态
- IP 25防水级别
- 100%德国制造

### ACCESSORY 专用配件



以上资料及产品图片仅供参考。

## Specifications 规格

Model 型号	DCX			
Voltage / Frequency(V/Hz) 电压 / 频率 (伏特 / 赫兹)	380 - 415 V / 50 Hz	380 - 400V / 50 Hz		
Power Supply (1-Phase / 3-Phase) 电源 (单相 / 三相)	3-Phase 三相			
Power (kW) <sup>(1)</sup> 功率 (千瓦)	16.2 - 19.4	19.0 - 22.6	21.6 - 25.8	24.4 - 27.0
Electrical Current (A) 电流 (安培)	25 - 27	29 - 30	33 - 36	37 - 39
Min-Max Flow Rate (L/min) 最低及最高入水流量要求(升/分钟)	2.5 - 8.0 <sup>(2)</sup>			
Maximum Water Pressure (bar) 最高水压要求	10			
Hot Water Flow Rate @ Δt=28 K(L/min) <sup>(3)(4)</sup> 每分钟热水流量(热水升温 Δt=28 K)(升/分钟)	9.2	10.7	12.3	13.8
Temperature Adjustment Range(°C) 可选择温度范围 (°C)	35, 38, 42, 48, 55			
Solar-Compatible 兼容太阳能系统	No 不可			
Product Dimensions (mm) 机身尺寸 (毫米)	(H) 466 (W) 231 (D) 97			
Net Weight: Full Tank (kg) 注水后重量 (公斤)	3.7			
Control 控制	Electronic Control 电子控制			
Suggested Minimum Cable Size(mm <sup>2</sup> ) 建议最小电线尺寸(平方毫米)	4	4	6	6
Inlet / Outlet Water Pipe 入出水喉	1/2"			
Certification / VDE Approval 认证 / VDE防水安全认证	CE / CCC / IEC60335-1 (ed.4), IEC60335-2-35 (ed.4), IP 25/ Class 1 / VDE			
Applications 应用	Bath, Shower, Kitchen Sink, Wash Basin 浴盆、淋浴、锌盆、洗手盆			

- (1) Regulations vary according to the regional power supply authority. Must only be connected by a qualified electrician. Actual power consumption varies according to water flow rate, inlet, and outlet temperature.  
具体规定随当地供电部门的不同而变化，必须由有相关资格的电工进行安装。实际耗电量视水流量及入出水温度而定。
- (2) Flow is limited in order to obtain optimal temperature increase. DCX are inserted with flow limiter 8L/min.  
为取得最佳升温效果，对水流进行了限制。DCX内置限流器(8 L/min)。
- (3) Temperature increase eg. from 12°C to 40°C.  
例如温度从12°C升至40°C。
- (4) Mixed water.  
混合冷水。
- (5) If there is any inconsistency or ambiguity between the English and Chinese versions, the English version shall prevail.  
中英文版本如有出入，一概以英文版为准。



# DEX 12

Twin Temperature Control for Precise Hot Water Supply  
双温度控制系统 精确设定水温

## Features 产品特点

- Electronically-controlled with IES® Bare Wire Heating System
  - Multiple Power System MPS®: Power rating can be set at 8.0kW-9.6 kW or 10.5kW-12.5 kW (220-240V) upon installation
  - 2 programmable buttons allow personalised selection of pre-set temperatures
  - Twin Temperature Control (TTC®) for precise hot water supply between 20 °C-55 °C
  - Electronic safety system with temperature and pressure cut-off
  - Digital display screen
  - Easy installation with various connection possibilities
  - Optional wireless or cable remote available
  - 1-phase electric power
  - Awarded CE, CCC, and EU Energy Efficiency Class A
  - 100% engineered and made in Germany
- 电子控制，IES®明线加热线制热
  - MPS®多功率调校系统：安装时可设定功率 8.0kW-9.6 kW或10.5kW-12.5 kW (220-240V)
  - 2个独立程序按键，灵活设定个人所需温度值
  - TTC®双温度控制系统精确设定20°C-55°C出水
  - 电子安全断电系统监控温度和压力
  - 电子显示屏
  - 多种接驳方式，安装简单便利
  - 可选用有线或无线遥控器(需自行选购)
  - 适用于单相电源
  - 荣获CE和CCC认证及欧盟A级能源效益
  - 100% 德国设计及制造

## Applications 应用



Suitable for  
**Smart Control**  
兼容智能热水器控制系统



## Accessories 配件

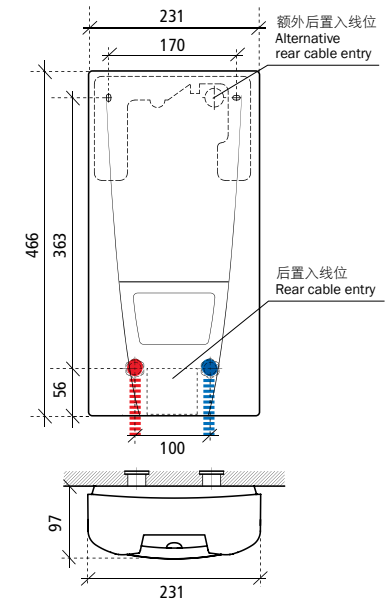


FXK Cable Remote (Optional)  
FXK 有线遥控器 (需另购)



FX Wireless Remote Control (Optional)  
FX 无线遥控器 (需另购)

## Installation Diagram 安装图



The above information and photos are for reference only.

1 Phase  
单相

Multi-Point  
application  
多点出水口



荣获欧盟A级能源效益认证

## Certification 认证





## FX Wireless Remote Control

### FX 无线遥控

The FX remote control gives users complete control over their water heaters irrespective of their installed location. Compatible with CEX, CFX, DEX, DEX12, and DSX, the FX remote control with its 10m range lets the user adjust temperature and memory settings easily, whether the water heaters are installed inside a kitchen cabinet or behind faux panels or ceilings.

不论热水器安装于何处，例如在厨柜内或藏于假天花中，FX无线遥控的10米控制范围都能让用户轻松地控制热水器。FX无线遥控与CEX、CFX、DEX、DEX12及DSX型号相容。

### ACCESSORY 专用配件



以上资料及产品图片仅供参考。

## Specifications 规格

Model 型号	DEX12	
Voltage / Frequency(V/Hz) 电压 / 频率 (伏特 / 赫兹)	220 - 240 V/50 Hz	
Power Supply (1-Phase / 3-Phase) 电源 (单相 / 三相)	1-Phase 单相	
Power (kW) <sup>(1)</sup> 功率 (千瓦)	8.0 - 9.6	10.5 - 12.5
Electrical Current (A) 电流 (安培)	36.4 - 40	47.7 - 52.2
Min-Max Flow Rate (L/min) 最低及最高入水流量要求(升/分钟)	2.5 - 5.0 <sup>(2)</sup>	
Maximum Water Pressure (bar) 最高水压要求	10	
Hot Water Flow Rate @ Δt=28 K(L/min) <sup>(3)(4)</sup> 每分钟热水流量(热水升温 Δt=28 K)(升/分钟)	4.5	5.9
Temperature Adjustment Range(°C) 可选择温度范围 (°C)	20 - 55	
Solar-Compatible 兼容太阳能系统	NO 不可	
Product Dimensions (mm) 机身尺寸 (毫米)	(H) 466 (W) 231 (D) 97	
Net Weight: Full Tank (kg) 注水后重量 (公斤)	3.7	
Control 控制	Electronic Control 电子控制	
Minimum Cable Size(mm <sup>2</sup> ) 最小电线尺寸(平方毫米)	10	
Inlet / Outlet Water Pipe 出入水喉	1/2"	
Certification / VDE Approval 认证 / VDE防水安全认证	CE / CCC / IIEC60335-1 (ed.4), IEC60335-2-35 (ed.4), IP 25 / Class 1 / VDE	
Applications 应用	Bath, Shower, Kitchen Sink, Wash Basin 浴盆、淋浴、锌盆、洗手盆	

(1) Regulations vary according to the regional power supply authority. Must only be connected by a qualified electrician. Actual power consumption varies according to water flow rate, inlet, and outlet temperature.  
具体规定随当地供电部门的不同而变化，必须由有相关资格的电工进行安装。实际耗电量视水流量及出水温度而定。

(2) Flow is limited in order to obtain optimal temperature increase. DEX12 models are inserted with flow limiter 5L/min.  
为获得最佳加热效果流量将被限制。DEX12型号配备5 L/min限流装置。

(3) Mixed water.  
混合冷水。

(4) Temperature increase eg. from 12°C to 40°C.  
例如温度从12°C升至40°C。

(5) If there is any inconsistency or ambiguity between the English and Chinese versions, the English version shall prevail.

中英文版本如有出入，一概以英文版为准。



GERMAN POOL  
MADE IN GERMANY

3 Phase  
三相

Multi-Point  
application  
多点出水口



荣获欧盟A级能效认证

Certification 认证

# DBX

Slim Design with Versatile Features  
超轻超薄 性价比高

## Features 产品特点

- Electronically-controlled with IES® Bare Wire Heating System
  - Output power is automatically adjusted to the flow rate and inlet temperature
  - Outlet temperature is pre-set at 50°C, internally adjustable by licensed technicians (30°C-60°C)
  - Models available in 18kW / 21kW / 24kW
  - Optional cable remote available
  - Easy installation, with exposed or concealed connection possibilities
  - 3-phase electric power
  - Awarded CE, CCC, and EU Energy Efficiency Class A
  - 100% engineered and made in Germany
- 电子控制，IES® 明线加热线制热
  - 根据流量和入水温度自动调节水温
  - 出水水温的预设值为50°C，可经持牌技术人员在30°C-60°C之间设定
  - 备有18kW / 21kW / 24kW 型号可供选择
  - 多种接驳方式，安装简单便利
  - 可选用有线遥控器（需自行选购）
  - 适用于三相电源
  - 荣获CE和CCC认证及欧盟A级能效效益
  - 100% 德国设计及制造

## Applications 应用



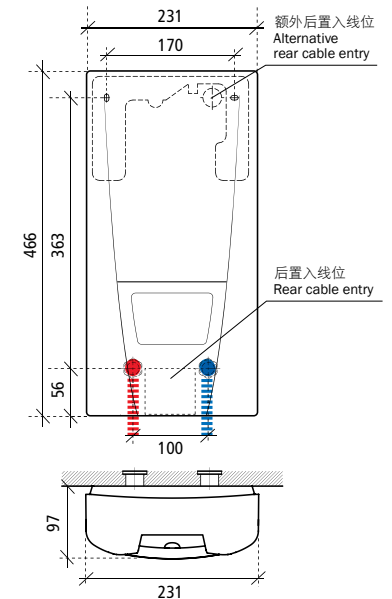
IES  
SYSTEM

## Accessories 配件



FXK Cable Remote (Optional)  
FXK 有线遥控器（需另购）

## Installation Diagram 安装图





## RDX Mounting Kit

### RDX 基本安装工具

- Suitable for DSX, DEX, DCX and DBX models
- Provided with plumbing and cable components
- Easy installation for wall or surface-mounted wiring or power cords
- Tidy wiring accommodation
- Made in Germany

- 适用于DSX、DEX、DCX及DBX型号
- 附供水及线路零件
- 适用于墙体外或表面安装及电源线安装
- 整洁收藏电源线
- 100%德国制造

### ACCESSORY 专用配件



## Specifications 规格

Model 型号	DBX18	DBX21	DBX24
Voltage / Frequency(V/Hz) 电压 / 频率 (伏特 / 赫兹)	380 - 415 V / 50 Hz		
Power Supply (1-Phase / 3-Phase) 电源 (单相 / 三相)	3-Phase 三相		
Power (kW) <sup>(1)</sup> 功率 (千瓦)	16.2 - 19.4	19.0 - 22.6	21.6 - 25.8
Electrical Current (A) 电流 (安培)	25 - 27	29 - 31	33 - 36
Min-Max Flow Rate (L/min) 最低及最高入水流量要求(升/分钟)	2.5 - 7.0 <sup>(2)</sup>	2.5 - 8.0 <sup>(2)</sup>	
Maximum Water Pressure (bar) 最高水压要求	10		
Hot Water Flow Rate @ Δt=25 K(L/min) <sup>(3)(4)</sup> 每分钟热水流量(热水升温Δt=25 K)(升/分钟)	9.2	10.7	12.3
Temperature Adjustment Range(°C) 可选择温度范围(°C)	30 - 60		
Solar-Compatible 兼容太阳能系统	NO 不可		
Product Dimensions (mm) 机身尺寸(毫米)	(H) 466 (W) 231 (D) 97		
Net Weight: Full Tank (kg) 注水后重量(公斤)	3.7		
Control 控制	Electronic Control 电子控制		
Minimum Cable Size(mm <sup>2</sup> ) 最小电线尺寸(平方毫米)	4	4	6
Inlet / Outlet Water Pipe 入出水喉	1/2"		
Certification / VDE Approval 认证 / VDE防水安全认证	CE / CCC / IEC60335-1 (ed.4), IEC60335-2-35 (ed.4), IP 25/ Class 1 / VDE		
Applications 应用	Bath, Shower, Kitchen Sink, Wash Basin 浴盆、淋浴、锌盆、洗手盆		

(1) Regulations vary according to the regional power supply authority. Must only be connected by a qualified electrician. Actual power consumption varies according to water flow rate, inlet, and outlet temperature.  
具体规定随当地供电部门的不同而变化，必须由有相关资格的电工进行安装。实际耗电量视水流量及入出水温度而定。

(2) Flow is limited in order to obtain optimal temperature increase. DBX are inserted with flow limiter 8L/min.  
为取得最佳升温效果，对水流进行了限制。DBX内置限流器(8 L/min)。

(3) Temperature increase eg. from 20°C to 45°C.  
例如温度从20°C升至45°C。

(4) Mixed water.  
混合冷水。

(5) If there is any inconsistency or ambiguity between the English and Chinese versions, the English version shall prevail.  
中英文版本如有出入，一概以英文版为准。



# DB

Eco-Max Design with Hydraulic Control  
Eco-Max旋钮 四季恒温 传统水压型号

Hong Kong & Macau Only  
只限香港和澳门

## Features 产品特点

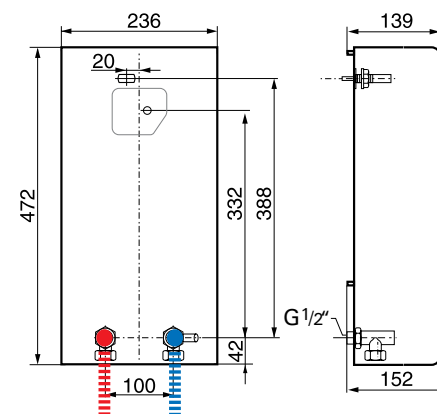
- Hydraulically controlled with IES® Bare Wire Heating System
  - Eco-Max part-power switch saving up to 33% of power
  - Power consumption is automatically halved at low flow rates
  - Models available in 18kW / 21kW
  - Double-acting safety cutout with snubbed pressure cutout and twofold temperature cutout
  - Easy installation with various connection possibilities
  - 3-phase electric power
  - Awarded CE
  - 100% engineered and made in Germany
- 水力控制开关，采用IES® 明线加热线制热
  - 省电设计Eco-Max旋钮，节省达33%耗电量
  - 水流量低时自动节省一半用电量
  - 备有18kW / 21kW 型号可供选择
  - 双重温度和压力安全断电系统
  - 多种接驳方式，安装简单便利
  - 适用于三相电源
  - 荣获CE
  - 100% 德国设计及制造

## Applications 应用



**IES**  
SYSTEM

## Installation Diagram 安装图



Certification 认证

3 Phase  
三相

Multi-Point  
application  
多点出水口

Hydraulic  
Model  
传统水压  
型号





## Shanghai Pudong International Airport 上海浦东国际机场

In operation since 1999, Shanghai Pudong International Airport is one of Asia's busiest airports, equipped with two main passenger terminals and three runways. The airport serves over 40 million travellers annually, and is the world's twentieth busiest airport and China's third. German Pool's advanced, reliable, and efficient Instantaneous Electric Water Heaters are the premier choice for this major air hub.

1999年启用的上海浦东国际机场是中国客运量最多的第三大机场，亦是全球二十个最繁忙的机场之一，共有两座客运大楼及三条跑道，每年客运量超过四千万人次。德国宝多点出水即热式热水器，凭借先进可靠技术，成为了上海浦东国际机场的热水器选择。



### PROJECT REFERENCE 指定选用

## Specifications 规格

Model 型号	DB18	DB21
Voltage / Frequency (V/Hz) 电压 / 频率 (伏特 / 赫兹)	380 - 400 V / 50 Hz	
Power Supply (1-Phase / 3-Phase) 电源 (单相 / 三相)	3-Phase 三相	
Power (kW) <sup>(1)</sup> 功率 (千瓦)	16.2 - 19.4	19.0 - 21.0
Electrical Current (A) 电流 (安培)	25 - 26	29 - 30
Min-Max Flow Rate (L/min) 最低及最高入水流量要求(升/分钟)	4.0 - 7.0	4.6 - 8.0
Maximum Water Pressure (bar) 最高水压要求	10	
Hot Water Flow Rate @ Δt=25 K(L/min) <sup>(2)(3)</sup> 每分钟热水流量(热水升温 Δt=25 K)(升/分钟)	9.2	10.7
Temperature Adjustment Range(°C) 可选择温度范围(°C)	N/A	
Solar-Compatible 兼容太阳能系统	NO 不可	
Product Dimensions (mm) 机身尺寸(毫米)	(H) 472 (W) 236 (D) 139	
Net Weight: Full Tank (kg) 注水后重量(公斤)	3.5	
Control 控制	Hydraulic Control 水压控制	
Minimum Cable Size(mm <sup>2</sup> ) 最小电线尺寸(平方毫米)	4	4
Inlet / Outlet Water Pipe 出入水喉	1/2"	
Certification / VDE Approval 认证 / VDE防水安全认证	CE / IEC 60335-2-35:2002 (ed.4) + A1:2006 IEC 60335-1:2001 (ed.4) (incl. Corr. 1:2002) + A1:2004 (incl. Corr. 1:2005) + A2:2006 (incl. Corr. 1:2006) IEC 62233:2005 (ed.1), IP 25/ Class 1	
Applications 应用	Bath, Shower, Kitchen Sink, Wash Basin 浴盆、淋浴、锌盆、洗手盆	

(1) Regulations vary according to the regional power supply authority. Must only be connected by a qualified electrician. Actual power consumption varies according to water flow rate, inlet, and outlet temperature.  
具体规定随当地供电部门的不同而变化，必须由有相关资格的电工进行安装。实际耗电量视水流量及出入水温度而定。

(2) Temperature increase eg. from 20°C to 45°C.  
例如温度从20°C升至45°C。

(3) Mixed water.  
混合冷水。

(4) If there is any inconsistency or ambiguity between the English and Chinese versions, the English version shall prevail.  
中英文版本如有出入，一概以英文版为准。

# SMART CONTROL



智能定时  
Intelligent Timer



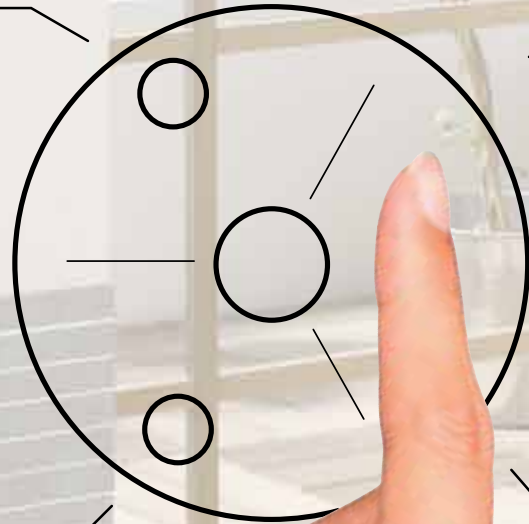
运作数据  
Performance Statistics



个人喜好设定  
Individual User Preferences



设定节能目标  
Achieving Saving Targets



## Smart Control 智能热水控制系统

只需轻触您的iPad，就可随时随地控制家中所有相容的电热水器。家中成员可以利用Smart Control iPad应用程式的智能版面，预设心水的热水温度；系统更会随着您的生活节奏，适时自动调节出水温度及开机时间。设定节能目标后，程式会总结出家中各成员的用水及耗电量，助您轻松节水节能。

The Smart Control system integrates the controls for all compatible instantaneous electric water heaters, allowing every user to preset their desired temperature for every purpose using the intuitive dial on the Smart Control iPad app. According to each individual's daily routine, the system automates the heater's setting to deliver the perfect temperature for you. The app also allows you to identify saving targets, and summarises water and energy usage for evaluation.



控制系统相容下列型号 The Smart Control System is compatible with the following models :  
DSX, GPI-M8, CEX9, CEX13, CFX21, CEX21, DEX, DEX12

## 轻松达到节能目标 Achieving Saving Targets

### 个人喜好设定 Individual User Preferences

用家可依个人喜好快速预设洗手、洗澡或泡浴的热水温度。  
Hand-washing, shower, and bath temperatures can be pre-set by each personalised icon.



「智能拨盘」简易选择已储存的所选温度。  
User friendly dial allows easy retrieval of personalised temperature settings.

### 智能定时 Intelligent Timer

用家可以按照自己的生活节奏调节预调特定时间之出水温度。  
The water temperature can be adjusted and the timer can be set to suit each individual's daily routine.



用家可以随时通过智能版面进行调节设定。  
User-friendly interface for easy adjustment.

### 运作数据 Performance Statistics

用户可查阅用水量及耗电量的总结图表。  
The Smart Control also provides an excellent summary of water usage and energy consumption.



图表总结出各用家的用水及耗电量；电费等资料一目了然。  
Graphical summary of each user's water and energy usage are always within reach; billing information is also available.



相容性：只适合iPad使用。需要iOS6.0或更高版本。 Compatibility: Compatible with iPad only. Requires iOS6.0 or later.

# ACCESSORIES

## FXK Cable Remote FXK有线遥控器



- Suitable for DSX, DEX, DEX12, DCX and DBX models only
- Easy operation of water heater built in an inaccessible location
- 2 programmable buttons allow personalised selection of pre-set temperatures
- LCD panel for clear display of operating status
- IP 25 protection
- 5m cable is provided (can be extended to 10m)
- Made in Germany

- 只适用于DSX、DEX、DEX12、DCX及DBX型号
- 如热水器安装于难以触及之处，可通过线控器轻松控制
- 2个独立程序按键，灵活设定个人所需温度值
- LCD显示屏清晰显示操作状态
- IP 25防水级别
- 随有线遥控器配备5米电线(可延长至10米)
- 100%德国制造



## FX Wireless Remote Control FX无线遥控器



- Suitable for all CEX models as well as DSX, DEX and DEX12
- 2 programmable buttons allow personalised selection of pre-set temperatures
- LCD panel for clear display of operating status
- IP 20 protection
- Wireless sensor can reach up to 10m
- Made in Germany

- 适用于CEX系列，以及DSX、DEX及DEX12等型号
- 2个独立程序按键，灵活设定个人所需温度值
- LCD显示屏清晰显示操作状态
- IP 20防水级别
- 无线接收范围为10米
- 100%德国制造







### RDX Mounting Kit RDX安装工具

- Suitable for DSX, DEX, DCX and DBX models
- Provided with plumbing and cable components
- Easy installation for wall or surface-mounted wiring or power cords
- Tidy wiring accommodation
- Made in Germany

- 适用于DSX、DEX、DCX及DBX型号
- 附供水及线路零件
- 适用于墙体外或表面安装及电源线安装
- 整洁收藏电源线
- 100%德国制造



### LED Sensor Tap LED自动感应龙头

- Touch-free sensor tap for hygienic and energy-efficient use
- Red or green LED indicates hot or cold water respectively
- Temperature adjustment lever
- Available as a set with GPI-M7/MDX6-220、GPI-M8, MCX6-220, MCX6, MBX6-220 and MBX6
- Made in Germany

- 自动感应启动，省电卫生
- LED彩灯显示所选水温（红色：热水；绿色：冷水）
- 可通过龙头杠设定最大出水温度
- 可与GPI-M7/MDX6-220、GPI-M8、MCX6-220、MCX6、MBX6-220及MBX6型号热水器组合选购
- 100%德国制造

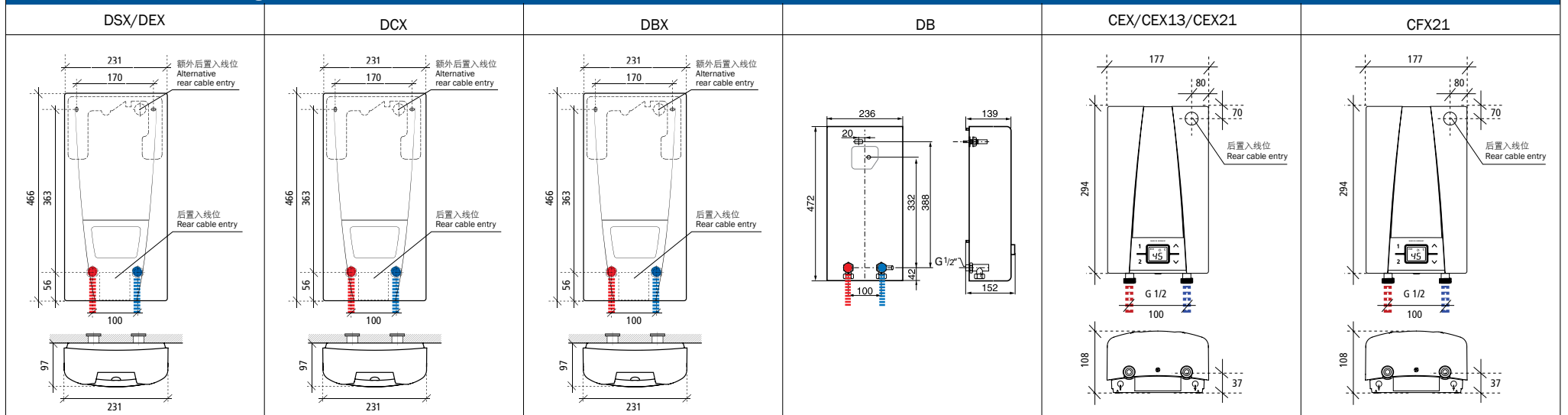


三相 3-PHASE																									
型号 Model	DSX				DEX				DCX				DBX18	DBX21	DBX24	DB18	DB21	CEX/CEX13		CEX21		CFX21			
电压 / 频率 (伏特 / 赫兹) Voltage / Frequency (V/Hz)	380 - 415 V/50 Hz				380 - 415 V/50 Hz				380 - 415 V/50 Hz				380 - 415 V/50 Hz			380 - 400 V/50 Hz		380 - 415 V/50 Hz		380 - 415 V/50 Hz		380 - 415 V/50 Hz			
电源 (单相 / 三相) Power Supply (1-Phase / 3-Phase)	三相 3-Phase				三相 3-Phase				三相 3-Phase				三相 3-Phase			三相 3-Phase		三相 3-Phase		三相 3-Phase		三相 3-Phase			
功率 (千瓦) Power (kW) <sup>(1)</sup>	16.2 - 19.4	19.0 - 22.6	21.6 - 25.8	24.4 - 27.0	16.2 - 19.4	19.0 - 22.6	21.6 - 25.8	24.4 - 27.0	16.2 - 19.4	19.0 - 22.6	21.6 - 25.8	24.4 - 27.0	16.2 - 19.4	19.0 - 22.6	21.6 - 25.8	16.2 - 19.4	19.0 - 21	10.0 - 11.8	12.2 - 14.5	16.2 - 19.4	19.0 - 22.6	16.2 - 19.4	19.0 - 22.6		
电流 (安培) Electrical Current (A)	25 - 27	29 - 30	33 - 36	37 - 39	25 - 27	29 - 31	33 - 36	37 - 39	25 - 27	29 - 30	33 - 36	37 - 39	25 - 27	29 - 31	33 - 36	25 - 26	29 - 30	14 - 17	18 - 21	25 - 27	29 - 31	25 - 27	29 - 31		
最低及最高入水流量要求 (升/分钟) Min-Max Flow Rate (L/min)	2.5 - 8.0 <sup>(2)</sup>				2.5 - 8.0 <sup>(2)</sup>				2.5 - 8.0 <sup>(2)</sup>				2.5 - 7.0 <sup>(2)</sup>	2.5 - 8.0 <sup>(2)</sup>			4.0 - 7.0	4.6 - 8.0	2.0 - 5.0 <sup>(2)</sup>		2.0 - 8.0 <sup>(2)</sup>		2.0 - 8.0 <sup>(2)</sup>		
最高水压要求 Maximum Water Pressure (bar)	10				10				10				10			10		10		10		10			
每分钟热水流量 (热水升温 Δt=25 K) (升/分钟) Hot Water Flow Rate @ Δt=25 K (L/min) <sup>(4)(5)(6)</sup>	9.2	10.7	12.3	13.8	9.2	10.7	12.3	13.8	9.2	10.7	12.3	13.8	9.2	10.7	12.3	9.2	10.7	5.6	6.9	9.2 - 10.7		9.2 - 10.7			
可选择温度范围 (°C) Temperature Adjustment Range (°C)	20 - 60				20 - 60				35, 38, 42, 48, 55				30 - 60			N/A		20 - 60		20 - 60		20 - 60			
兼容太阳能系统 Solar-compatible	可 YES 最高入水水温达70°C Max Inlet Temperature 70°C				可 YES 最高入水水温达70°C Max Inlet Temperature 70°C				不可 NO				不可 NO			不可 NO		可 YES 最高入水水温达70°C Max Inlet Temperature 70°C		可 YES 最高入水水温达70°C Max Inlet Temperature 70°C		可 YES 最高入水水温达70°C Max Inlet Temperature 70°C			
机身尺寸 (毫米) Product Dimensions (mm)	(H) 466 (W) 231 (D) 97				(H) 466 (W) 231 (D) 97				(H) 466 (W) 231 (D) 97				(H) 466 (W) 231 (D) 97			(H) 472 (W) 236 (D) 139		(H) 294 (W) 177 (D) 108		(H) 294 (W) 177 (D) 108		(H) 294 (W) 177 (D) 108			
注水后重量 (公斤) Net Weight: Full Tank (kg)	4.2				3.7				3.7				3.7			3.5		2.7		2.7		3.1			
控制 Control	电子控制 Electronic Control				电子控制 Electronic Control				电子控制 Electronic Control				电子控制 Electronic Control			水压控制 Hydraulic Control		电子控制 Electronic Control		电子控制 Electronic Control		电子控制 Electronic Control			
电源线要求 (平方毫米) Required Cable Size (mm <sup>2</sup> )	4	4	6	6	4	4	6	6	4	4	6	6	4	4	6	4	4	1.5	2.5	4	4	4	4		
入水喉 Inlet / Outlet Water Pipe	1/2"				1/2"				1/2"				1/2"			1/2"		1/2"		1/2"		1/2"			
认证 / VDE防水安全认证 Certification / VDE Approval	CE / CCC / IEC60335-1 (ed.4), IEC60335-2-35 (ed.4), IP 25 / Class 1				CE / CCC / IEC60335-1 (ed.4), IEC60335-2-35 (ed.4), IP 25 / Class 1				CE / CCC / IEC60335-1 (ed.4), IEC60335-2-35 (ed.4), IP 25 / VDE				CE / CCC / IEC60335-1 (ed.4), IEC60335-2-35 (ed.4), IP 25 / Class 1 / VDE			CE / IEC 60335-2-35:2002 (ed.4) + A1:2006 IEC 60335-1:2001 (ed.4) (incl. Corr. 1:2002) + A1:2004 (incl. Corr. 1:2005) + A2:2006 (incl. Corr. 1:2006) IEC 60335-2:2005 (ed.4), IP 25 / Class 1		CE / CCC / IEC60335-1 (ed.4), IEC60335-2-35 (ed.4), IP 25 / Class 1 / VDE		CE / CCC / IEC60335-1 (ed.4), IEC60335-2-35 (ed.4), IP 25 / Class 1 / VDE		CE / CCC / IEC60335-1 (ed.4), IEC60335-2-35 (ed.4), IP 25 / Class 1 / VDE		CE / CCC / IEC60335-1 (ed.4), IEC60335-2-35 (ed.4), IP 25 / Class 1 / VDE	
应用 Applications	浴盆、淋浴、锌盆、洗手盆 Bath, Shower, Kitchen Sink, Wash Basin				浴盆、淋浴、锌盆、洗手盆 Bath, Shower, Kitchen Sink, Wash Basin				浴盆、淋浴、锌盆、洗手盆 Bath, Shower, Kitchen Sink, Wash Basin				浴盆、淋浴、锌盆、洗手盆 Bath, Shower, Kitchen Sink, Wash Basin			浴盆、淋浴、锌盆、洗手盆 Bath, Shower, Kitchen Sink, Wash Basin		淋浴、锌盆、洗手盆 Shower, Kitchen Sink, Wash Basin		浴盆、淋浴、锌盆、洗手盆 Bath, Shower, Kitchen Sink, Wash Basin		浴盆、淋浴、锌盆、洗手盆 Bath, Shower, Kitchen sink, Wash Basin			

(1) 具体规定随当地供电部门的不同而变化，需由有相关资格的电工进行安装。  
Regulations vary according to the regional power supply authority. Must only be connected by a qualified electrician.

(2) 为取得最佳升温效果，对水流进行了限制。DSX、DEX、DCX及DBX内置限流器(8 L/min)。CEX13、DEX12、CEX9、CRX9及CRH9内置限流器(5 L/min)。  
Flow is limited in order to obtain optimal temperature increase. DSX, DEX, DCX and DBX are inserted with flow limiter 8L/min. CEX13, DEX12, CEX9, CRX9 and CRH9 are inserted with flow limiter 5L/min.

## 安装图 Installation Diagram



安装注意事项 Installation Notice 所有即热式电热水器(电热水器)必须由经认可的专业人员安装，整个安装工程必须由这人员全权负责。每部热水器安装手册内的指示必须严格遵守。电工必须遵守适用标准和安装规定，并确保安装符合当地所有相关法规、供电和供水公司规定及安全规则。  
All instantaneous electric water heaters (IWH) must be installed by qualified technicians only, who will assume responsibility for the entire heater installation. Respective installation manuals of each individual heater must be strictly observed without compromises. Local Safety Regulations must also be observed - this is the sole responsibility of the executing technician.

单相 1-PHASE														
型号 Model	DEX12		CEX9		CRX9		GPI-M8	MCX6-220	MCX6	GPI-M7/MDX6-220		GPI-M6	MBX6-220	MBX6
电压 / 频率 (伏特 / 赫兹) Voltage / Frequency (V/Hz)	220-240 V/50 Hz		220-240 V/50 Hz		220 - 240 V/50 Hz		220 V/50 Hz		220 - 240 V /50 Hz		220 V/50 Hz		220 - 240 V /50 Hz	
电源 (单相 / 三相) Power Supply (1-Phase / 3-Phase)	单相 1-Phase		单相 1-Phase		单相 1-Phase		单相 1-Phase		单相 1-Phase		单相 1-Phase			
功率 (千瓦) Power (kW) <sup>(1)</sup>	8.0 - 9.6	10.5 - 12.5	6.0 - 7.2	8.0 - 9.6	8.1 - 9.6		6.0	5.7	6.0		6.0		5.7	
电流 (安培) Electrical Current (A)	36.4 - 40	47.7 - 52.2	27.3 - 30	36.4 - 40	36.6 - 39.9		27.3	25	27.3		27.3			
最低及最高入水流量要求 (升/分钟) Min-Max Flow Rate (L/min)	2.5 - 5.0 <sup>(2)</sup>		2.0 - 5.0 <sup>(2)</sup>		2.4 - 5.0 <sup>(2)</sup>		1.5 - 3.4		1.5 - 3.3		2.2 - 3.3	1.5 - 3.4		
最高水压要求 Maximum Water Pressure (bar)	10		10		6		10		10		10			
每分钟热水流量 (热水升温 $\Delta t=25$ K) (升/分钟) Hot Water Flow Rate @ $\Delta t=25$ K (L/min) <sup>(4)(5)(6)</sup>	4.5 <sup>(3)</sup>	5.9 <sup>(3)</sup>	3.8	5.0	5.0		3.4	3.0	3.3		3.3	3.4	3.0	
可选择温度范围 (°C) Temperature Adjustment Range (°C)	20 - 55		20 - 55		35 - 55		35, 38, 45		30 - 50		不适用 N/A			
兼容太阳能系统 Solar-compatible	不可 NO		可 YES 最高入水水温达70°C Max Inlet Temperature 70°C		不可 NO		可 YES 最高入水水温达70°C Max Inlet Temperature 70°C		可 YES 最高入水水温达60°C Max Inlet Temperature 60°C		不可 NO	可 YES 最高入水水温达70°C Max Inlet Temperature 70°C		
机身尺寸 (毫米) Product Dimensions (mm)	(H) 466 (W) 231 (D) 97		(H) 294 (W) 177 (D) 108		(H) 328 (W) 214 (D) 89		(H) 135 (W) 186 (D) 87		(H) 140 (W) 185 (D) 80		(H) 135 (W) 186 (D) 87			
注水后重量 (公斤) Net Weight: Full Tank (kg)	3.7		2.7		2.4		1.5		1.5		1.5			
控制 Control	电子控制 Electronic Control		电子控制 Electronic Control		电子控制 Electronic Control		电子控制 Electronic Control		电子控制 Electronic Control		水压控制 Hydraulic Control	电子控制 Electronic Control		
电源线要求 (平方毫米) Required Cable Size (mm <sup>2</sup> )	10		4	6	6		4		4		4			
入水喉 Inlet / Outlet Water Pipe	1/2"		1/2"		1/2"		1/2"		1/2"		1/2"			
认证 / VDE防水安全认证 Certification / VDE Approval	CE / CCC, IEC60335-1 (ed.4), IEC60335-2-35 (ed.4), IP 25 / Class 1 / VDE		CE / CCC / IEC60335-1 (ed.4), IEC60335-2-35 (ed.4), IP 25 / Class 1 / VDE		CE / CCC / IEC60335-1 + A1:1994 + A2:1999 (ed. 3 1991), IEC60335-2-35 + A1:1999, IP 24 (undersink installation) / Class 1, IP 25 (oversink installation) / Class 1		CE / CCC (MCX-6 only) / IEC60335-1 (ed.4) am 1, am 2, IEC60335-2-35 (ed.4) am 1, IP 25 / Class 1 / VDE		CE / IEC60335-1 (ed.4) am 1, am 2, IEC60335-2-35 (ed.4) am 1, IP 24 (undersink installation) / Class 1, IP 25 (oversink installation) / Class 1		CE / CCC (MBX6 only) / IP25 / VDE			
应用 Applications	浴盆、淋浴、锌盆、洗手盆 Bath, Shower, Kitchen Sink, Wash Basin		淋浴、锌盆、洗手盆 Shower, Kitchen Sink, Wash Basin		淋浴、锌盆、洗手盆 Shower, Kitchen Sink, Wash Basin		锌盆、洗手盆 Kitchen Sink, Wash Basin		锌盆、洗手盆 Kitchen Sink, Wash Basin		锌盆、洗手盆 Kitchen Sink, Wash Basin			

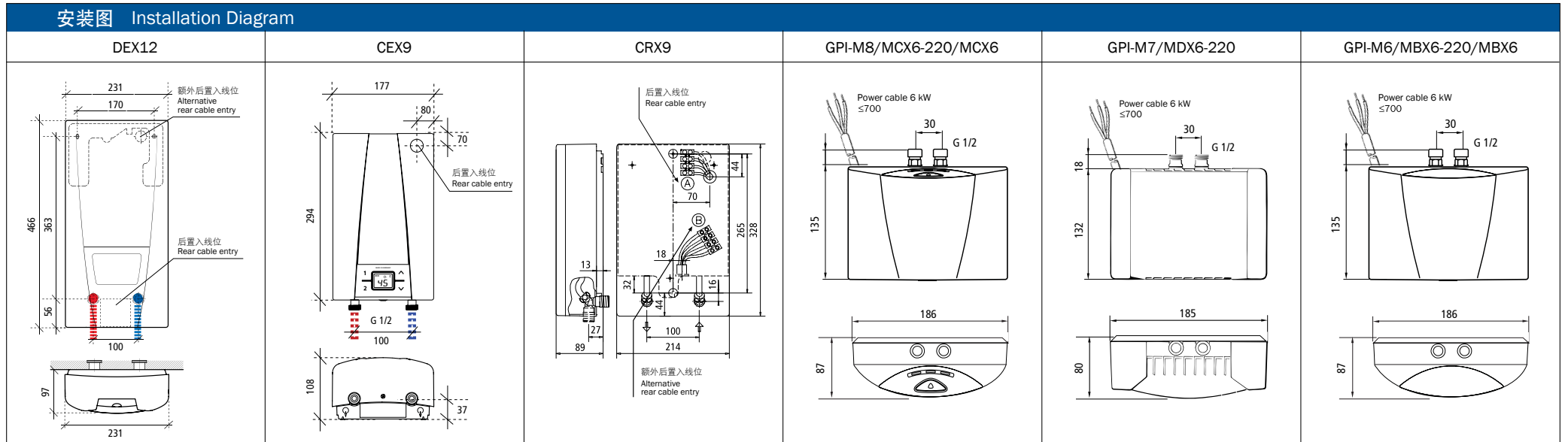
(3) 例如温度从12°C升至40°C  
Temperature increase eg. from 12°C to 40°C

(4) 混合冷水  
Mixed water

(5) DEX12: 温度升温  $\Delta t=28$  K  
DEX12:  $\Delta t=28$  K

(6) CEX9、CRX9、CRH9: 例如温度从20°C升至45°C  
Temperature increase eg. from 20°C to 45°C  
MDX-6、GPI-M5/GPI-M5.0: 例如温度从15°C升至40°C  
Temperature increase eg. from 15°C to 40°C

(7) 中英文版如有出入, 一概以英文版为准。  
If there is any inconsistency or ambiguity between the English version and the Chinese version, the English version shall prevail.



以上资料及产品图片仅供参考。



# INTERNATIONAL PROJECTS

The following projects reflect the remarkable achievement by CLAGE in Europe, and in German Pool home market in Hong Kong, Macau, and China. Our Instantaneous Electric Water Heaters are the top choices for international establishments and landmarks, including Hamburg Airport, O2 World Berlin, Aston Martin (England), Beijing Olympic Games Media Village, Beijing Google Headquarters, and many more.

## 国际工程案例

专注于功效和品质，使德国宝即热式电热水器倍受国内外举世瞩目工程的青睐，无论国际机场、现代化商厦、大型公共设施、著名饭店还是高尚住宅都一致选用，当中包括汉堡国际机场、柏林奥林匹克体育场、英国盖登阿斯顿马丁总部、奥运会媒体村及北京谷歌中国总部等。德国宝即热式电热水器集高性能、省电、安全及稳定于一身，成就享誉全球的美誉。





# GERMANY



1. HAMBURG AIRPORT  
德国 汉堡机场

2. AIRBUS HEADQUARTERS, HAMBURG  
德国 汉堡空中巴士总部



3. OLYMPIC STADIUM, BERLIN  
德国 柏林奥林匹克体育场



4. MICROSOFT, MUNICH  
德国 慕尼黑微软办公大楼



5. BKK MOBIL OIL, HAMBURG  
德国 汉堡美孚石油



6. KRANZLER-ECK REGION, BERLIN  
德国 柏林兰茨勒·埃克



7. MAIN TOWER, FRANKFURT  
德国 法兰克福主塔





# GERMANY



1. O<sub>2</sub> WORLD, BERLIN  
德国 柏林O<sub>2</sub>体验馆

2. COLORADO TOWER, STUTTGART  
德国 斯图加特COLORADO TOWER

3. SONY CENTER, BERLIN  
德国 柏林索尼中心

4. UPTOWN TOWER, MUNICH  
德国 慕尼黑UPTOWN TOWER

5. BORNHOLDHAUS, HAMBURG  
德国 汉堡BORNHOLDHAUS

6. PAUL-LÖBE-HAUS, BERLIN  
德国 柏林PAUL-LÖBE-HAUS

7. CAMBIUM, HAMBURG  
德国 汉堡CAMBIUM

8. AXEL-SPRINGER-PASSAGE, BERLIN  
德国 柏林阿克塞尔·斯普林格大道



1



2



3

## GERMANY

1. DAIMLER-CRYSLER, HAMBURG

德国 汉堡戴姆勒-克莱斯勒

2. GERMAN LLOYD, HAMBURG

德国 汉堡劳埃得船级社

3. MUNSTERTOR, ULM

德国 乌尔姆MUNSTERTOR

4. CHANNEL TOWER, HAMBURG

德国 汉堡CHANNEL大楼

5. HOTEL BERGSTROM, LÜNEBURG

德国 吕讷堡BERGSTROM酒店

6. JETZT HAUS, FRANKFURT

德国 法兰克福JETZT HAUS

7. MERCEDES-BENZ MUSEUM, STUTTGART

德国 斯图加特梅塞德斯-奔驰博物馆

8. HIGHLY ENERGY EFFICIENT HOUSE,  
HEIDESHEIM

德国 海德斯海姆高效节能平房

9. EXCLUSIVE APARTMENTS, LÜNEBURG

德国 吕讷堡高级公寓



4



5



6



7



8



9





## EUROPE



1



2



3



4



5



6



7



8

1. DAIMLER-CHRYSLER AUTOMOTIVE, WARSAW  
华沙 戴姆勒集团

2. ASTON MARTIN GAYDON, ENGLAND  
英国 盖登阿斯顿马丁总部

3. GOVERNMENT BUILDING, VIENNA  
维也纳 政府大楼

4. MERCEDEZ BENZ, BUDAPEST  
布达佩斯 梅塞德斯-奔驰

5. CENTRO PORSCHE, PORTO, PORTUGAL  
葡萄牙 波尔图保时捷中心

6. MUORA STAR, ALBUFEIRA, PORTUGAL  
葡萄牙 阿尔布费拉MUORA STAR

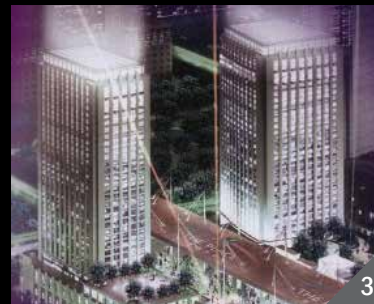
7. NÖ-HAUS, KREMS, AUSTRIA  
奥地利 克雷姆斯河NÖ-HAUS

8. FACEBOOK LONDON BUILDING, UNITED KINGDOM  
英国 伦敦FACEBOOK欧洲总部



# CHINA

1. OLYMPIC GAMES MEDIA VILLAGE, BEIJING  
北京 奥运会媒体村
2. TSINGHUA UNIVERSITY, BEIJING  
北京 清华大学
3. THE PLACE, BEIJING  
北京 世贸天阶
4. TIANSHAN CENTURY PLAZA, BEIJING  
北京 天山世纪广场
5. GENERTEC PLAZA, BEIJING  
北京 通用技术大厦
6. YIN TAI CENTRE, BEIJING  
北京 银泰中心
7. VILLA, BEIJING  
北京 别墅





# CHINA



1. LUCENT TECHNOLOGIES, BEIJING  
北京 朗讯科技公司
2. WINLAND IFC, BEIJING  
北京 英蓝国际金融中心
3. ORIENTAL PLAZA MALL, BEIJING  
北京 东方新天地
4. XUAM-WU, BEIJING  
北京 宣武区
5. VILLA, BEIJING  
北京 别墅
6. ZIWEI MANOR, BEIJING  
北京 紫薇庄园
7. HENGXIANG SHARK'S FIN RESTAURANT,  
BEIJING  
北京 恒祥居饭店
8. BODHI SPA, BEIJING  
北京 菩提会水疗
9. SHENMEI SALON, BEIJING  
北京 审美造型



# CHINA

1. WORLD EXPO 2010, SHANGHAI  
上海 2010年世博会



2

2. PUDONG INTERNATIONAL AIRPORT, SHANGHAI  
上海 浦东国际机场



3

3. IFC MALL & OFFICE TOWERS, SHANGHAI  
上海 国际金融中心商场



4

4. BANK OF COMMUNICATIONS, SHANGHAI  
上海 交通银行



5

5. PUJIANG INTELLIGENCE VALLEY, SHANGHAI  
上海 浦江智谷商务区



6

6. PEACE HOTEL, SHANGHAI  
上海 和平饭店

7. LIPPO PLAZA, SHANGHAI  
上海 力宝广场



7

8. THE RITZ-CARLTON HOTEL, SHANGHAI  
上海 浦东丽思卡尔顿酒店



8

9. TIME SQUARE, SHANGHAI  
上海 时代广场



9



# CHINA



1



2



3



4



5



6



7



8



9

1. CENTURY SQUARE, SHANGHAI  
上海 世纪汇广场

2. THE PORTMAN RITZ-CARLTON HOTEL,  
SHANGHAI  
上海 波特曼丽思卡尔顿酒店

3. CALIFORNIA FITNESS, SHANGHAI  
上海 加州健身

4. MUNICIPALITY BUILDING, SHANGHAI  
上海 市政府人民大厦

5. GIN HONG COMMERCIAL BUILDING,  
SHANGHAI  
上海 金航大厦

6. WHELLOCK SQUARE, SHANGHAI  
上海 会德丰广场

7. XINTIANDI, SHANGHAI  
上海 新天地

8. GRAND GATEWAY, SHANGHAI  
上海 港汇广场

9. RAINBOW GARDEN VILLAS, SHANGHAI  
上海 水木兰亭别墅



# CHINA

1. THE LAKE DRAGON, SHENZHEN  
深圳 玫瑰湖
2. DONGHAI CENTRE, SHENZHEN  
深圳 东海中心
3. CLIFFORD MANSION, GUANGZHOU  
广州 祈福华夏
4. CHINA HOTEL - A MARRIOTT HOTEL,  
GUANGZHOU  
广州 中国大酒店
5. ASIAN GAMES BADMINTON CENTRE,  
GUANGZHOU  
广州 亚运会羽毛球馆
6. PRIVATE VILLA, HANGZHOU  
杭州 私人别墅
7. CONCORDIA APARTMENTS, HANGZHOU  
杭州 中怡城市花园
8. INTERMEDIATE PEOPLE'S COURT, NINGBO  
宁波 中级人民法院
9. YANGMING HOT SPRING RESORT, NINGBO  
宁波 阳明温泉山庄
10. DAISHAN STADIUM, ZHEJIANG  
浙江 岱山体育馆





# HONG KONG



1

1. HONG KONG CONVENTION AND EXHIBITION CENTRE  
香港 会议展览中心



2

2. THE CHINESE UNIVERSITY OF HONG KONG  
香港 中文大学



3

3. THE HONG KONG UNIVERSITY OF SCIENCE & TECHNOLOGY  
香港 科技大学



4

4. HONG KONG INSTITUTE OF EDUCATION  
香港 教育学院



5

5. HO MAN TIN APARTMENTS  
香港 何文田屋苑



6

6. CITY UNIVERSITY OF HONG KONG  
香港 城市大学



7

7. DISCOVERY BAY GOLF CLUB  
香港 愉景湾高尔夫俱乐部



1

# HONG KONG

1. IFC MALL & OFFICE TOWERS  
香港 国际金融中心商场
2. ASIAWORLD-EXPO  
香港 亚洲国际博览馆
3. SCIENCE & TECHNOLOGY PARKS  
香港 科技园
4. HONG KONG JOCKEY CLUB  
香港 赛马会



2



3



4





1



2



3



4



5



# HONG KONG

1. MIRA MOON HOTEL  
香港 问月酒店
2. MEI HO HOUSE HONG KONG YOUTH  
HOTEL ASSOCIATION  
香港 美荷楼 香港青年旅舍协会
3. DISCOVERY BAY APARTMENTS  
香港 愉景湾屋苑
4. YUEN LONG APARTMENTS  
香港 元朗屋苑
5. NTT INTERNATIONAL HOUSE  
香港 吴多泰博士国际中心



# HONG KONG

1. HIGH CLIFF  
香港 晓卢
2. RIVA  
香港 尔峦
3. DRAGONS RANGE  
香港 玫瑰山
4. SOUTH CREST  
香港 屯门南岸
5. EMERALD GREEN  
香港 翹翠峰





1

## HONG KONG

1. HONG KONG DISNEYLAND  
香港 迪士尼乐园
2. BILLIONNAIRE ROYALE  
香港 御·豪门
3. EVERGREEN GARDEN VILLA  
香港 松柏花园别墅



2



3



4

## MACAU

4. THE VENETIAN MACAU RESORT HOTEL  
澳门 威尼斯人度假村酒店
5. STARWORLD CASINO & HOTEL  
澳门 星际酒店
6. THE RESIDENCIA  
澳门 君悦湾酒店



5



6



# 33 YEARS OF EXCELLENCE

Established in 1982, German Pool began its legacy as a German water heater importer. Three decades on, German Pool has since expanded worldwide, achieving extraordinary success with a burgeoning series of luxury lifestyle products that are available from China to America. Our motto – Life Made Simpler – has steered our R&D efforts in the past 33 years, in that every product we offer has been designed to an exacting standard based on the premises of aestheticism, health, eco-friendliness, and safety.

German Pool thrives on diversity. The brand's product portfolio now includes everything from electric water heaters to air conditioners and radiators; from built-in appliances such as range hoods and induction cookers to portable cookware such as noodle makers, rice cookers and food processors; and from personal health care such as massagers to kitchen cabinetry. For a better kitchen shopping experience, German Pool launched the Kitchen Cabinetry and Appliances Showroom in 2001, to give customers the convenience of a one-stop service. Looking forward, German Pool will continue to entice customers with exciting, innovative, and quality new products. German Pool will also build on its brand reputation in order to solidify its global positioning.



### 33年卓越成就

德国宝创立于1982年，以进口德国热水器白手起家。经过33年的努力，超级品牌德国宝将优质贴心的高端电器带到世界各地，每个产品都以精确的标准设计与制造。「家有德国宝，生活无烦恼」这句品牌格言驱使着我们不断开发更美观、健康、环保和安全的产品。发展至今，德国宝品牌已经享誉全球，其倡导的优质生活产品誉满中国至美洲。

德国宝专注开发多元化产品，包括热水器、抽油烟机、电磁炉、燃气炉、多功能光波炉、面条机、全能饭煲、专业高速食品料理机、按摩器、空调及空气净化系统等。德国宝一站式厨柜陈列中心于2001年成立，为消费者带来了欧洲整体嵌入式厨房和高端厨房用品。为消费者提供高质素的产品、让其享受舒适生活是德国宝一直力求达到的目标，其努力也得到了消费者和商界的好评与尊重，巩固了品牌的领先地位。



以上资料及产品图片仅供参考。



# AWARDS & RECOGNITION

German Pool has gained recognition as a top brand having received a series of awards. We have won numerous accolades ranging from Superbrands Hong Kong, Hong Kong Premier Brand, Hong Kong Top Brand, Hong Kong Q-Mark Service Scheme Certification, Hong Kong Proud Corporate Brand Award, Hong Kong Consumers Choice, to Hong Kong Awards for Industries - Consumer Product Design, and so on. German Pool has been awarded Hong Kong Top Brand for 10 consecutive years. In 2014, German Pool was awarded the top honour of 10 Years Achievement Award for the brand's continuous exceptional performance.

## 奖项与荣誉

德国宝品牌誉满全球，囊括了众多奖项，包括「Superbrands Hong Kong」、「香港卓越品牌」、「香港名牌」、「卓越企业品牌大奖」、「杰出企业社会责任奖」及「大中华卓越贡献品牌大奖」等。德国宝除了在香港取得「Consumers Choice」的荣誉，更获得「香港优质商号」的称号，也得到了「香港骄傲企业品牌评选大奖」及「Q唛优质服务证书」的认可。德国宝连续十年蝉联「香港名牌」，并于2014年荣获「香港名牌十年成就奖」。



Superbrands Hong Kong



香港名牌十年成就奖  
Hong Kong Top Brand Ten Year  
Achievement Award



Hong Kong Premier Brand



Hong Kong Q-Mark Service  
Scheme Certification



Hong Kong Proud  
Corporate Brand Award



Hong Kong Consumers Choice



Hong Kong Awards for Industries  
- Consumer Product Design



Hong Kong Quality Brand



The Best Brand Enterprise Award



中国家电行业  
十大影响力品牌



中国厨柜行业  
十大影响力品牌



Capital CEO Supreme Brand Award



Outstanding Enterprise  
Social Responsibility Award



# THRIVING ON DIVERSITY

German Pool's motto – Life Made Simpler – has inspired our expansion ever since the launch of our first water heater in 1982. German Pool's product portfolio now includes water heaters, built-in appliances, lifestyle appliances, seasonal appliances, personal health care, houseware, and kitchen cabinetry. For three decades, German Pool has never ceased to capture the zeitgeist of the contemporary lifestyle; and we will continue to do so.

## 务实向前 多元发展

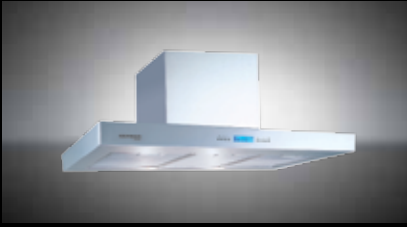
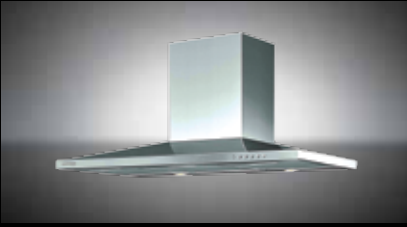
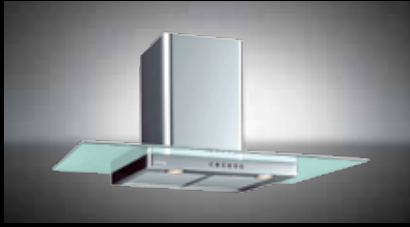
德国宝的品牌格言「家有德国宝，生活无烦恼」，一直带领公司业务发展。德国宝专注开发多元产品，务求让消费者生活变得简单。自1982年以热水器发家，至今德国宝，已经发展成一家国际化公司，经营业务包括热水器、嵌入式厨电、生活电器、季节性空调系列、远红外线健康护理产品、家庭用品以及高档厨柜。30多年来，德国宝务实向前，积极发展，务求成为无可替代的家居首选。





以上资料及产品图片仅供参考。







# ONE-STOP SHOP EXPERIENCE

一站式购物体验

CUSTOM CABINETRY KITCHEN & HOME APPLIANCES SHOWROOM

德国宝高级定制柜及电器陈列中心

HONG KONG, CHINA 中国香港

**Kowloon Flagship Store & Culinary Experience Centre**

Room 2-4, Upper G/F, Newport Centre, 116 Ma Tau Kok Road, Tokwawan, Kowloon  
九龙旗舰店及厨乐体验馆 - 九龙土瓜湾马头角道116号新宝工商中心高层地下2-4号室

T. +852 2773 2828

**Lifestyle Concept Store & Culinary Experience Centre**

Shop L5-5, MegaBox, 38 Wang Chiu Road, Kowloon Bay  
生活·厨乐概念店及厨乐体验馆 - 九龙九龙湾宏照道38号MegaBox L5-5铺

T. +852 3907 0356

Shop 435-436, Level 4, Tsuen Wan Plaza, Tai Pa Street, Tsuen Wan, N. T.  
新界荃湾大坳街荃湾广场四楼435-436铺

T. +852 2455 2382

G/F Wing Ming Industrial Centre, 15 Cheung Yue Street, Lai Chi Kok, Kowloon  
九龙荔枝角长裕街15号永明工业中心地铺

T. +852 2370 3189

G/F, 22 Morrison Hill Road, Wanchai, Hong Kong  
香港湾仔摩利臣山道22号

T. +852 3110 2030

E-mail : [info@germanpool.com](mailto:info@germanpool.com)

MAINLAND CHINA 中国内地

3/F, Takshun Plaza, Nanguo East Road, Shunde, Foshan, Guangdong  
广东省佛山市顺德区大良南国东路德顺广场三层  
T. +86 757 2980 8308

E-mail : [info@germanpool.com.cn](mailto:info@germanpool.com.cn)

MACAU, CHINA 中国澳门

Alameda Dr. Carlos D'Assumpcao No. 263, Edif. China Civil Plaza,  
15 Andar, I, Macau  
澳门宋玉生广场249-263号中土大厦15楼1座  
T. +853 2875 2699

E-mail : [macao@germanpool.com](mailto:macao@germanpool.com)







© All rights reserved. Any copying, reproduction, or the adaptation of any content in this booklet is prohibited without prior authorisation from German Pool.  
© 版权所有。未获本公司授权，不得翻印、复制或使本印刷品作任何用途。

[WWW.GERMANPOOL.COM.CN](http://WWW.GERMANPOOL.COM.CN)

IWH Brochure\_15(2.1)\_CN