



GERMAN POOL

STORAGE WATER HEATER
GAS WATER HEATER
ELECTRIC CENTRAL HEATING SYSTEM

储水式电热水器
气体热水器
中央电锅炉采暖系统



GPU Series Central Storage Electric Water Heater
中央储水式电热水器

GPC Series Central Storage Electric Water Heater
中央储水式电热水器

China Market Only
中国市场专用



Electric Central Heating System
中央电锅炉采暖系统

China Market Only
中国市场专用



GPS Series Gas Water Heater
气体热水器



GPN Series Shower Unit Electric Water Heater
花洒储水式电热水器



ADVANCED TECHNOLOGY, SUPERB QUALITY, PREMIUM MATERIALS, RELIABLE DURABILITY

German Pool's signature water heater series is the result of decades of research and development. The designs are constantly improved by professionals, and are made with world-leading technologies and materials. The series complies with the strictest international standards, and also conforms with electricity, gas and water works regulations. The series serves as the reliable provider of hot water for every home and business.

技术先进 品质超凡 选料上乘 经久耐用

德国宝热水器系列产品经专业技师累积数十年经验，精心研究、设计及不断改良，引入全球最佳部件及科技，式样繁多，采用符合国际标准生产而成，适合不同使用要求，保证绝对符合电气及水务条例，安全可靠，省电耐用，绝无后顾之忧，为家中或企业每个角落提供源源不绝和舒适的热热水。





THE PREMIUM CHOICE FOR PROJECTS

To cater to different needs, installations or interior design requirements, German Pool offers a wide range of Storage and Gas water heaters, and Electric Central Heating System, totalling to almost 100 different sub-models with different capacities, voltages, and sizes. In terms of capacities, German Pool heaters can deliver water from 2 to 200 gallons, and there are vertical wall-mount, horizontal wall-mount, inverted ceiling-mount, vertical floor-stand and horizontal floor-stand styles for selection.

式样繁多 独领鳌头

为方便不同需要、安装及室内设计，德国宝提供一系列花洒储水式和气体式热水器，以及中央电锅炉采暖系统，共近百款副型号，备有不同容量、款式、电量、电压等以供选择。容量方面，由两加仑至200加仑等通通均备，更设垂直挂墙式、横向挂墙式、倒挂天花式、直座地式及横座地式等。





COMPREHENSIVE SERIES WITH MULTIPLE STYLES

To cater to different needs, installations or interior design requirements, German Pool offers Gas & Storage Water Heater, and Electric Central Heating System, totalling almost 100 plus different models with different capacities, voltages, and sizes. In terms of capacities, the heaters can deliver water from 2 to 200 gallons, and there are vertical wall-mount, horizontal wall-mount, inverted ceiling-mount, floor-stand and horizontal floor-stand styles for selection.

式样繁多 独领鳌头

为方便不同需要、安装及室内设计，德国宝热水器系列包括备有气体式、储水式和中央电锅炉采暖系统共数十款不同容量、款式、电量、电压等以供选择。容量方面，由两加仑至200加仑等通通均备，更设垂直挂墙式、横向挂墙式、垂直座地式及横座地式等。





Contents

目录

12

GPN Series
Shower Unit
Electric Water
Heater
花洒储水式电热水器



26

GPU Series
Central Storage
Electric Water
Heater
中央储水式电热水器



40

GPS Series
Gas Water
Heater
气体热水器



46

GPC Series
Central Storage
Electric Water Heater
中央储水式电热水器

China Market Only
中国市场专用



58

Electric Central
Heating System
中央电锅炉采暖系统

China Market Only
中国市场专用



GERMAN
POOL



GPN SERIES SHOWER UNIT ELECTRIC WATER HEATER

花洒储水式电热水器系列



German Pool GPN Series Shower Unit Water Heater is the result of decades' experience of engineering gained through continuous experiments and improvement. The GPN Series Shower Unit employs advanced production technology from Germany with an attractive exterior and extra high efficiency, and complies with international safety standards and waterworks regulations worldwide.

The GPN series is specially designed to cater for hot water applications in small domestic units, housing estates, offices and places where bath tub is not provided. One major consideration in its design is to be compact and space-saving. GPN shower unit employs open-outlet operation whereby the inner tank is connected with the atmosphere at all times. No excess pressure or temperature will be accumulated in the inner tank to ensure absolute safety. GPN shower unit is well-known for its hassle-free operation, high thermal efficiency and thus high energy efficiency.

德国宝GPN花洒式系列电热水器的设计经专业技师累积数十年之经验，精心研究、设计及不断改良，配合德国宝先进科技及根据国际标准(IEC)生产而成。产品外型美观，性能卓越，并保证绝对符合有关之国家安全标准及水务条例。

GPN系列乃专为一般较小型的住宅单位、屋苑、办公室以及没有浴缸设备的地方供应花洒淋浴而设的热水器。设计方面尽量以节省地方为原则，开放式内胆设计，不受任何水压限制，内胆与室外大气流通，完全不会因积累压缩蒸气而令内胆膨胀之虞，安全可靠，省电耐用，一经使用绝无后顾之忧。

FEATURES

特点

Heavy Gauge Stainless Steel Inner Tank

Japanese heavy gauge stainless steel inner tank assembled by TIG welding technology ensures an operation free of rust, corrosion, deformity and leakage.

10-Year Warranty

Each water heater is provided with a 10-year warranty for the inner tank and 1-year warranty for electrical parts.

(Note: For users outside Hong Kong, warranty terms may vary. Please check with your local agents.)

High Thermal Efficiency

Prime quality stainless steel heating element with built-in thermal cut-out ensures maximum thermal efficiency and safety.

Energy Saving

The injected polyurethane foam can provide maximum insulation to water tank. Also, GPN water heaters are compliant to "1st Class Energy Efficiency Label".

Pollution Free

GPN produces no gas pollutants during water heating process. Its operation is absolutely free of toxic substances and odour.

Stable Temperature

GPN water heaters come with quality thermostat to provide automatic temperature control at preset temperature to ensure constant water temperature and save energy. Temperature can be set to as high as 85°C.

Constant Water Pressure

The operation is not affected by the pressure of water supply. Hot water can be provided as long as there is cold water supply.

Safe & Reliable Operation

The water heaters are completely electricity-powered, presenting no risk of gas leakage. In addition, all electrical parts are insulated to avoid electricity leakage. They are also drip-proof and splash-proof.

特殊不锈钢内胆

GPN系列之内胆是利用氩弧钨焊技术、采用长期耐高温及受高压容器专用之日本特殊不锈钢精制而成，不单防锈耐压，而且耐水质侵蚀，毋须担心出现变形或漏水等情况。

十年保用

GPN系列内每个产品均附上全港首创十年内胆保用、一年电器零件保用证明及质量证明书，保证质量。

(注: 香港以外地区用户，请参照当地代理商所订立之保用条款。)

制热效能

优质不锈钢发热管，发挥最高导热效能，并内置超温断路，确保安全。

一级节能

GPN内胆有完密喷注式保温层，使用先进合成树脂纤维材料，可长时间保持热水温度，失温程度降至最低。此外，GPN储水花洒式热水器荣获「一级能源标签」，省电效能有绝对保证。

环保舒适

GPN电热水器在制热时不会产生废气，并且无毒、无色、无味、无臭。使用时不需打开窗户，室内环境仍能保持清新舒适。

温度稳定

高度灵敏温度调节器，自动恒温，使水温保持在预调温度，稳定舒适，并节省能源，最高温度可调校至85°C。

水压稳定

不受任何高低水压限制，只要有自来水供应便可进行制热程序，杜绝一切因水压低而无法提供热水的情况。

安全可靠

GPN系列电热水器以安全为大前提，电源制热使之绝无气体泄漏危险，更设有水线防止漏电危险。另外，所有电器部份均有绝缘体分隔及包裹，绝无漏电情况出现。防潮方面，除经得起水滴渗透外，更可接受溅水的考验，绝对安全。

TOP QUALITY COMPONENTS

优质进口配件

顶级不锈钢内胆 Premium Stainless Steel Inner Tank



顶级耐腐蚀日本特殊不锈钢内胆，采用氩弧钨焊技术，确保防锈、耐压，不受水质侵蚀。

Ultra-durable Japanese heavy gauge stainless steel inner tank is assembled by TIG welding technology. It ensures an operation entirely free of rust, corrosion, leakage and deformity.

高效发热管 Quality Heating Element

高质发热管，发挥最高导热效能，并内置超温断路器，确保安全。

Quality heating element with built-in thermal cut-out ensures maximum thermal efficiency and safety.

节能保温设计 Effective Insulation

完密喷注式保温层，使用先进合成树脂纤维材料，保持热水温度，同时将失温程度减至最低，大大节省电能。

Optimal heat insulation is achieved by injected polyurethane foam.

温度显示器 Thermometer

温度显示器方便查看热水温度。

Thermometer shows the hot water temperature.



出水装置* Shower Head

备有灵活直柱式花洒、省位插座式花洒及摇摆式出水口三款出水装置可供选择。

Slide bar type shower head, plug-in type shower head and swivel outlet are available.

温度调节器 Thermostat

温度调节器自动恒温，保持水温在预设温度，节省能源，并配合个人使用热水的习惯。

Thermostat provides automatic temperature control at preset temperature to accommodate individual bathing habits and save energy.

低压式水龙头* Open-outlet Mixer

备有单控式混合龙头。

Single lever mixer.

*必须使用GPN电热水器配备之原厂低压式混合水龙头及花洒配件。本电热水器只适合于单点使用。

Each unit is equipped with a standard open-outlet mixer and a shower set. Such components must not be replaced by unauthorized mixers and/or shower heads. GPN water heater is designed for single-point application.



首家荣获「一级能源标签」
First To Receive
"1st Class Energy Efficiency Label"



获取「中国能效标识」
Received
"China Energy Label"



全港首创十年内胆保用、一年电器零件保用证明及质量证明书，保证质量。

All water heaters come with a quality passport with 10-year warranty for the inner tank and 1-year warranty for electrical parts.



香港Q唛优质标志认证
(牌照号码: E116)
Q-Mark Certifications
(License No. E116)

* 认证型号 Certified models:
GPN-2, GPN-4, GPN-6, GPN-5



符合机电工程署电气产品(安全)规例
Comply With Hong Kong Electrical
Products (Safety) Regulation



获取3C认证标志
Received
"China Compulsory Certificate" (CCC)

ACCESSORIES

配件

A variety of standard mixers and shower sets are available for your selection. The mixing taps and shower sets supplied together with the GPN units are particularly designed for open-outlet water heater and are different from the others available in the market. Do not use accessories other than those supplied by the original manufacturer.

GPN花洒式系列备有多款水龙头及出水装置可供选择，全部乃经特别设计，以符合开放式热水器规格。必须选用以下原厂低压式混合水龙头及花洒配件，切勿接驳非原厂供应之配件。

低压式水龙头装置 Open-Outlet Mixer



代号 **T** : 单控式混合龙头
Code Single Lever Mixer

只需提起手柄摆动左右，即可选择冷或热水，方便选取理想水温，而且非常慳位。

The design allows you to select hot or cold water conveniently with a single lever and is space-saving.



代号 **B** : 内置单控式混合龙头
Code Built-in Water Mixer

不能改装或加装不合规格之配件。

Cannot be modified or add other accessories that don not conform with regulations.

温度显示器 Thermometer



代号 **S** : 温度显示器
Code Thermometer

温度显示器方便查看热水温度。

Thermometer displays the temperature of hot water for convenient monitoring.

出水装置 Shower Head / Tap



代号 **M** : 直柱式花洒头
Code Slide Bar Type Shower Head

可随意调校花洒高低位置，并设有肥皂盅，方便使用。

The position of the shower head can be adjusted easily along the vertical slide bar, which is also fitted with a soap holder.



代号 **D** : 插座式花洒头
Code Plug-In Type Shower Head

备有插座以承托花洒，设计简便省位。

Plug-in shower hose set is supported by a base with a neat and space-saving design.



代号 **L** : 摇摆式出水口
Code Swivel Outlet

出水口可左右摇摆，方便旋转至便利位置进行洗涤，洗手盆及厨房锌盆等皆合用。

Swivel design allows you to revolve the outlet for ease of use – applicable to bathroom basin and kitchen sink, etc.

GPN-2TL

SHOWER UNIT - STANDARD 摇摆储水式 - 标准型

Features 产品特点

- Single-Lever Mixer & Swivel Outlet
- Premium Heating Element
- Works With All Incoming Water Pressures
- 1-Phase Electric Supply
- 单控式混合水龙头、配摇摆式龙头
- 优质不锈钢发热管
- 开放式内胆适合任何水压
- 适用单相电源

Model 型号	GPN-2TL
Voltage 电压 / Frequency 频率	220 V / 50 Hz
Power 功率	2, 3 kW
Product Dimensions (mm) 机身尺寸(毫米)	(H)425 (W)290 (D)200 mm
Capacity 容量	2 gal / 7.6 L
Net Weight 净重	7.1 kg
Net Weight: Full Tank 注水后重量	14.44 kg
Working Pressure 正常水压	0 kPa
Testing Pressure 测试水压	500 kPa
Water Resistance 防水等级	IPX4
Thermometer 温度显示器	Optional 可供选配
Standard Device 标准装置	L, T
Certification / Standard 安全认证 / 国际标准	CCC, IEC 60335-2-21, GB4706.1, GB4706.12, Class 1

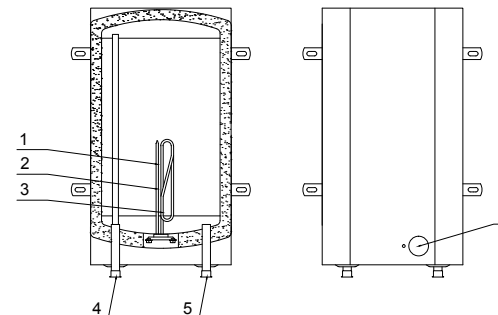
Specifications and designs are subject to change without prior notice. The appearance of the actual product shall prevail. If there are any inconsistencies or ambiguities between the English version and the Chinese version, the Chinese version shall prevail. Refer to www.germanpool.com for the most up-to-date version. 产品规格及设计如有变更，恕不另行通知。产品外观以实物为准。中英文版本如有出入，一概以中文版为准。最新版本以www.germanpool.com网上版为准。

Device 装置

L Swivel Outlet
摇摆式出水口



T Single Lever Mixer
单控式混合龙头



Product Structure

1. Temperature Sensing Tube
2. Thermostat Probe
3. Heating Element
4. Outlet (Hot)
5. Inlet (Cold)
6. Thermostat

产品结构

1. 感温管
2. 恒温器探头
3. 发热线
4. 出水位(热)
5. 入水位(冷)
6. 恒温器

SHOWER UNIT
摇摆储水式

容量
Capacity
2
Gal 加仑

Certification 认证



GPN-4TD

SHOWER UNIT - STANDARD 花洒储水式 - 标准型

Features 产品特点

- Plug-In Type Shower Head Set & Single-Lever Mixer
- Premium Heating Element
- Works With All Incoming Water Pressures
- 1-Phase Electric Supply
- 低压插座式花洒、配单控式混合龙头
- 优质不锈钢发热管
- 开放式内胆适合任何水压
- 适用单相电源

Model 型号	GPN-4TD
Voltage 电压 / Frequency 频率	220 V / 50 Hz
Power 功率	2, 3, 4 kW
Product Dimensions (mm) 机身尺寸(毫米)	(H)470 (W)330 (D)241 mm
Capacity 容量	4 gal / 15 L
Net Weight 净重	10.0 kg
Net Weight: Full Tank 注水后重量	24.44 kg
Working Pressure 正常水压	0 kPa
Testing Pressure 测试水压	500 kPa
Water Resistance 防水等级	IPX4
Thermometer 温度显示器	Optional 可供选配
Standard Device 标准装置	D, T
Changeable Device 可更换装置	M, L
Certification / Standard 安全认证 / 国际标准	CCC, IEC 60335-2-21, GB4706.1, GB4706.12, Class 1

Specifications and designs are subject to change without prior notice. The appearance of the actual product shall prevail. If there are any inconsistencies or ambiguities between the English version and the Chinese version, the Chinese version shall prevail. Refer to www.germanpool.com for the most up-to-date version. 产品规格及设计如有变更，恕不另行通知。产品外观以实物为准。中英文版本如有出入，一概以中文版为准。最新版本以www.germanpool.com网上版为准。

Device 装置

D Plug-In Type
Shower Head
插座式花洒头



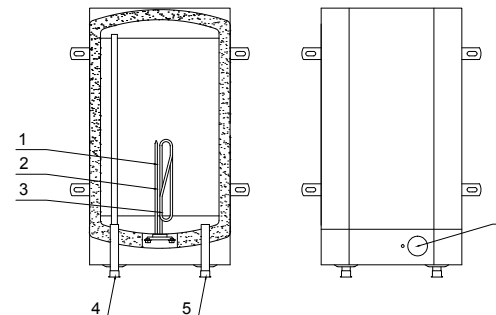
T Single Lever Mixer
单控式混合龙头



M Slide Bar Type
Shower Head
直柱式花洒头



L Swivel Outlet
摇摆式出水口



Product Structure

1. Temperature Sensing Tube
2. Thermostat Probe
3. Heating Element
4. Outlet (Hot)
5. Inlet (Cold)
6. Thermostat

产品结构

1. 感温管
2. 恒温器探头
3. 发热线
4. 出水位 (热)
5. 入水位 (冷)
6. 恒温器

Certification 认证



SHOWER
UNIT
花洒储水式

容量
Capacity

4
Gal 加仑

GPN-6TD

SHOWER UNIT - STANDARD 花洒储水式 - 标准型

Features 产品特点

- Plug-In Type Shower Head Set & Single-Lever Mixer
- Premium Heating Element
- Works With All Incoming Water Pressures
- 1-Phase Electric Supply
- 低压插座式花洒、配单控式混合龙头
- 优质不锈钢发热管
- 开放式内胆适合任何水压
- 适用单相电源

Model 型号	GPN-6TD
Voltage 电压 / Frequency 频率	220 V / 50 Hz
Power 功率	2, 3, 4 kW
Product Dimensions (mm) 机身尺寸(毫米)	(H)650 (W)330 (D)241 mm
Capacity 容量	6 gal / 23 L
Net Weight 净重	12 kg
Net Weight: Full Tank 注水后重量	35.14 kg
Working Pressure 正常水压	0 kPa
Testing Pressure 测试水压	500 kPa
Water Resistance 防水等级	IPX4
Thermometer 温度显示器	Optional 可供选配
Standard Device 标准装置	D, T
Changeable Device 可更换装置	M, L
Certification / Standard 安全认证 / 国际标准	CCC, IEC 60335-2-21, GB4706.1, GB4706.12, Class 1

Specifications and designs are subject to change without prior notice. The appearance of the actual product shall prevail. If there are any inconsistencies or ambiguities between the English version and the Chinese version, the Chinese version shall prevail. Refer to www.germanpool.com for the most up-to-date version. 产品规格及设计如有变更，恕不另行通知。产品外观以实物为准。中英文版本如有出入，一概以中文版为准。最新版本以www.germanpool.com网上版为准。

Device 装置

D Plug-In Type
Shower Head
插座式花洒头



T Single Lever Mixer
单控式混合龙头



M Slide Bar Type
Shower Head
直柱式花洒头



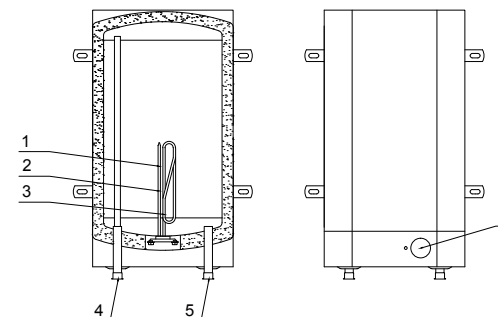
L Swivel Outlet
摇摆式出水口



SHOWER
UNIT
花洒储水式

容量
Capacity
6
Gal 加仑

Certification 认证



Product Structure

产品结构

- | | |
|-----------------------------|------------|
| 1. Temperature Sensing Tube | 1. 感温管 |
| 2. Thermostat Probe | 2. 恒温器探头 |
| 3. Heating Element | 3. 发热线 |
| 4. Outlet (Hot) | 4. 出水位 (热) |
| 5. Inlet (Cold) | 5. 入水位 (冷) |
| 6. Thermostat | 6. 恒温器 |

GPN-4TM

SHOWER UNIT - SUPERIOR 花洒储水式 - 优雅型

Features 产品特点

- Slide-Bar Type Shower Head Set & Single-Lever Mixer
- Premium Heating Element
- Works With All Incoming Water Pressures
- 1-Phase Electric Supply
- 直柱式花洒头、配单控式混合龙头
- 优质不锈钢发热管
- 开放式内胆适合任何水压
- 适用单相电源

Model 型号	GPN-4TM
Voltage 电压 / Frequency 频率	220 V / 50 Hz
Power 功率	2, 3, 4 kW
Product Dimensions (mm) 机身尺寸(毫米)	(H)470 (W)330 (D)241 mm
Capacity 容量	4 gal / 15 L
Net Weight 净重	10 kg
Net Weight: Full Tank 注水后重量	25.08 kg
Working Pressure 正常水压	0 kPa
Testing Pressure 测试水压	500 kPa
Water Resistance 防水等级	IPX4
Thermometer 温度显示器	Optional 可供选配
Standard Device 标准装置	M, T
Changeable Device 可更换装置	D, L
Certification / Standard 安全认证 / 国际标准	CCC, IEC 60335-2-21, GB4706.1, GB4706.12, Class 1

Specifications and designs are subject to change without prior notice. The appearance of the actual product shall prevail. If there are any inconsistencies or ambiguities between the English version and the Chinese version, the Chinese version shall prevail. Refer to www.germanpool.com for the most up-to-date version. 产品规格及设计如有变更，恕不另行通知。产品外观以实物为准。中英文版本如有出入，一概以中文版为准。最新版本以www.germanpool.com网上版为准。

Device 装置

D Plug-In Type
Shower Head
插座式花洒头



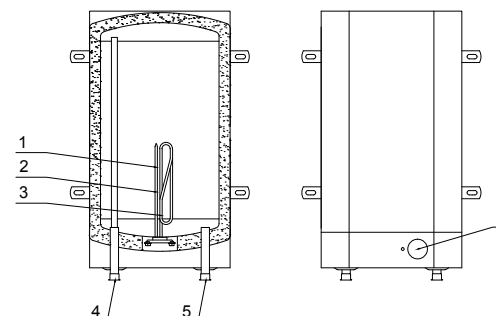
T Single Lever Mixer
单控式混合龙头



M Slide Bar Type
Shower Head
直柱式花洒头



L Swivel Outlet
摇摆式出水口



Product Structure

产品结构

- | | |
|-----------------------------|------------|
| 1. Temperature Sensing Tube | 1. 感温管 |
| 2. Thermostat Probe | 2. 恒温器探头 |
| 3. Heating Element | 3. 发热线 |
| 4. Outlet (Hot) | 4. 出水位 (热) |
| 5. Inlet (Cold) | 5. 入水位 (冷) |
| 6. Thermostat | 6. 恒温器 |



SHOWER
UNIT
花洒储水式

容量
Capacity
4
Gal 加仑

Certification 认证



GPN-6TM

SHOWER UNIT - SUPERIOR 花洒储水式 - 优雅型

Features 产品特点

- Slide-Bar Type Shower Head Set & Single-Lever Mixer
- Premium Heating Element
- Works With All Incoming Water Pressures
- 1-Phase Electric Supply
- 直柱式花洒头、配单控式混合龙头
- 优质不锈钢发热管
- 开放式内胆适合任何水压
- 适用单相电源

Model 型号	GPN-6TM
Voltage 电压 / Frequency 频率	220 V / 50 Hz
Power 功率	2, 3, 4 kW
Product Dimensions (mm) 机身尺寸(毫米)	(H)650 (W)330 (D)241 mm
Capacity 容量	6 gal / 23 L
Net Weight 净重	12 kg
Net Weight: Full Tank 注水后重量	35.78 kg
Working Pressure 正常水压	0 kPa
Testing Pressure 测试水压	500 kPa
Water Resistance 防水等级	IPX4
Thermometer 温度显示器	Optional 可供选配
Standard Device 标准装置	T, M
Changeable Device 可更换装置	D, L
Certification / Standard 安全认证 / 国际标准	CCC, IEC 60335-2-21, GB4706.1, GB4706.12, Class 1

Specifications and designs are subject to change without prior notice. The appearance of the actual product shall prevail. If there are any inconsistencies or ambiguities between the English version and the Chinese version, the Chinese version shall prevail. Refer to www.germanpool.com for the most up-to-date version. 产品规格及设计如有变更，恕不另行通知。产品外观以实物为准。中英文版本如有出入，一概以中文版为准。最新版本以www.germanpool.com网上版为准。

Device 装置

D Plug-In Type
Shower Head
插座式花洒头



T Single Lever Mixer
单控式混合龙头



M Slide Bar Type
Shower Head
直柱式花洒头



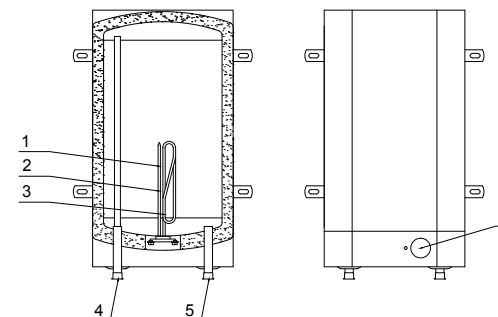
L Swivel Outlet
摇摆式出水口



SHOWER
UNIT
花洒储水式

容量
Capacity
6
Gal 加仑

Certification 认证



Product Structure

产品结构

- | | |
|-----------------------------|------------|
| 1. Temperature Sensing Tube | 1. 感温管 |
| 2. Thermostat Probe | 2. 恒温器探头 |
| 3. Heating Element | 3. 发热线 |
| 4. Outlet (Hot) | 4. 出水位 (热) |
| 5. Inlet (Cold) | 5. 入水位 (冷) |
| 6. Thermostat | 6. 恒温器 |

GPN-4TMS

SHOWER UNIT - DELUXE 花洒储水式 - 豪华型

Features 产品特点

- Slide-Bar Type Shower Head Set & Single-Lever Mixer
- Premium Heating Element & Thermometer
- Works With All Incoming Water Pressures
- 1-Phase Electric Supply
- Thermometer
- 直柱式花洒头、配标准单控式混合龙头
- 优质不锈钢发热管及温度显示器
- 开放式内胆适合任何水压
- 适用单相电源
- 温度显示器

Model 型号	GPN-4TMS
Voltage 电压 / Frequency 频率	220 V / 50 Hz
Power 功率	2, 3, 4 kW
Product Dimensions (mm) 机身尺寸(毫米)	(H)470 (W)330 (D)241 mm
Capacity 容量	4 gal / 15 L
Net Weight 净重	10 kg
Net Weight: Full Tank 注水后重量	25.08 kg
Working Pressure 正常水压	0 kPa
Testing Pressure 测试水压	500 kPa
Water Resistance 防水等级	IPX4
Thermometer 温度显示器	Included 已配置
Standard Device 标准装置	T, M, S
Changeable Device 可更换装置	D, L
Certification / Standard 安全认证 / 国际标准	CCC, IEC 60335-2-21, GB4706.1, GB4706.12, Class 1

Specifications and designs are subject to change without prior notice. The appearance of the actual product shall prevail. If there are any inconsistencies or ambiguities between the English version and the Chinese version, the Chinese version shall prevail. Refer to www.germanpool.com for the most up-to-date version. 产品规格及设计如有变更，恕不另行通知。产品外观以实物为准。中英文版本如有出入，一概以中文版为准。最新版本以www.germanpool.com网上版为准。

Device 装置

D Plug-In Type
Shower Head
插座式花洒头



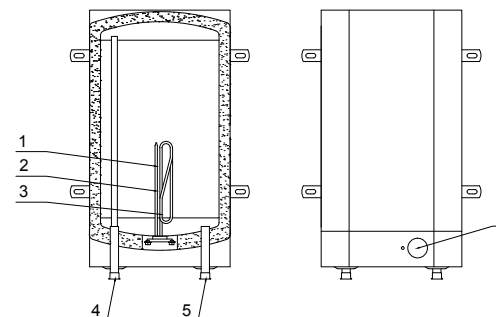
T Single Lever Mixer
单控式混合龙头



M Slide Bar Type
Shower Head
直柱式花洒头



L Swivel Outlet
摇摆式出水口



Product Structure

产品结构

- | | |
|-----------------------------|------------|
| 1. Temperature Sensing Tube | 1. 感温管 |
| 2. Thermostat Probe | 2. 恒温器探头 |
| 3. Heating Element | 3. 发热线 |
| 4. Outlet (Hot) | 4. 出水位 (热) |
| 5. Inlet (Cold) | 5. 入水位 (冷) |
| 6. Thermostat | 6. 恒温器 |

Certification 认证



SHOWER
UNIT
花洒储水式

容量
Capacity

4

Gal 加仑

GPN-6TMS

SHOWER UNIT - DELUXE 花洒储水式 - 豪华型

Features 产品特点

- Slide-Bar Type Shower Head Set & Single-Lever Mixer
- Premium Heating Element & Thermometer
- Works With All Incoming Water Pressures
- 1-Phase Electric Supply
- Thermometer
- 直柱式花洒头、配标准单控式混合龙头
- 优质不锈钢发热管及温度显示器
- 开放式内胆适合任何水压
- 适用单相电源
- 温度显示器

Model 型号	GPN-6TMS
Voltage 电压 / Frequency 频率	220 V / 50 Hz
Power 功率	2, 3, 4 kW
Product Dimensions (mm) 机身尺寸(毫米)	(H)650 (W)330 (D)241 mm
Capacity 容量	6 gal / 23 L
Net Weight 净重	12 kg
Net Weight: Full Tank 注水后重量	35.78 kg
Working Pressure 正常水压	0 kPa
Testing Pressure 测试水压	500 kPa
Water Resistance 防水等级	IPX4
Thermometer 温度显示器	Included 已配置
Standard Device 标准装置	D, T
Changeable Device 可更换装置	M, L
Certification / Standard 安全认证 / 国际标准	CCC, IEC 60335-2-21, GB4706.1, GB4706.12, Class 1

Specifications and designs are subject to change without prior notice. The appearance of the actual product shall prevail. If there are any inconsistencies or ambiguities between the English version and the Chinese version, the Chinese version shall prevail. Refer to www.germanpool.com for the most up-to-date version. 产品规格及设计如有变更，恕不另行通知。产品外观以实物为准。中英文版本如有出入，一概以中文版为准。最新版本以www.germanpool.com网上版为准。

Device 装置

D Plug-In Type
Shower Head
插座式花洒头



T Single Lever Mixer
单控式混合龙头



M Slide Bar Type
Shower Head
直柱式花洒头



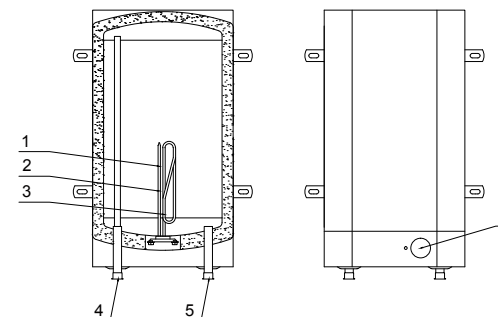
L Swivel Outlet
摇摆式出水口



SHOWER
UNIT
花洒储水式

容量
Capacity
6
Gal 加仑

Certification 认证



Product Structure

产品结构

- | | |
|-----------------------------|------------|
| 1. Temperature Sensing Tube | 1. 感温管 |
| 2. Thermostat Probe | 2. 恒温器探头 |
| 3. Heating Element | 3. 发热线 |
| 4. Outlet (Hot) | 4. 出水位 (热) |
| 5. Inlet (Cold) | 5. 入水位 (冷) |
| 6. Thermostat | 6. 恒温器 |

GPNB-5

SHOWER UNIT - DELUXE 花洒储水式 - 豪华型

Features 产品特点

- Built-In Single-Lever Mixer for Saving Space
- Premium Heating Element & Thermometer
- Works With All Incoming Water Pressures
- 1-Phase Electric Supply
- Plug-in Shower Hose Set
- Thermometer
- 内置单控式混合龙头，节省空间
- 优质不锈钢发热管及温度显示器
- 开放式内胆适合任何水压
- 适用单相电源
- 插座式花洒头
- 温度显示器

Device 装置



Model 型号	GPNB-5
Voltage 电压 / Frequency 频率	220 V / 50 Hz
Power 功率	2, 3, 4 kW
Product Dimensions (mm) 机身尺寸(毫米)	(H)560 (W)330 (D)250 mm
Capacity 容量	5 gal / 18 L
Net Weight 净重	11.1 kg
Net Weight: Full Tank 注水后重量	28.84 kg
Working Pressure 正常水压	0 kPa
Testing Pressure 测试水压	500 kPa
Water Resistance 防水等级	IPX4
Thermometer 温度显示器	Included 已配置
Standard Device 标准装置	B, D
Changeable Device 可更换装置	M
Certification / Standard 安全认证 / 国际标准	CCC, IEC 60335-2-21, GB4706.1, GB4706.12, Class 1

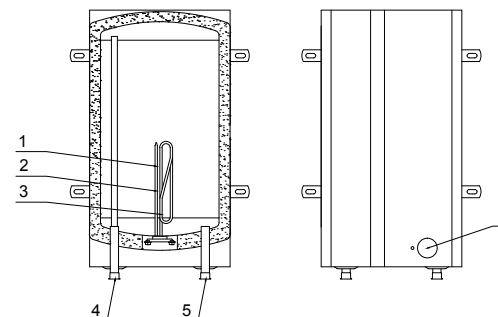
Specifications and designs are subject to change without prior notice. The appearance of the actual product shall prevail. If there are any inconsistencies or ambiguities between the English version and the Chinese version, the Chinese version shall prevail. Refer to www.germanpool.com for the most up-to-date version. 产品规格及设计如有变更，恕不另行通知。产品外观以实物为准。中英文版本如有出入，一概以中文版为准。最新版本以www.germanpool.com网上版为准。



SHOWER UNIT
花洒储水式

容量
Capacity
5
Gal 加仑

Certification 认证



Product Structure

1. Temperature Sensing Tube
2. Thermostat Probe
3. Heating Element
4. Outlet (Hot)
5. Inlet (Cold)
6. Thermostat

产品结构

1. 感温管
2. 恒温器探头
3. 发热线
4. 出水位(热)
5. 入水位(冷)
6. 恒温器

GPNB-5C

SHOWER UNIT - DELUXE 花洒储水式 - 豪华型

Features 产品特点

- Special Corner-Mount Design
- Built-In Single-Lever Mixer
- Premium Heating Element & Thermometer
- Works With All Incoming Water Pressures
- 1-Phase Electric Supply
- Thermometer
- 独特墙角挂墙款式
- 内置单控式混合龙头，节省空间
- 优质不锈钢发热管
- 开放式内胆适合任何水压
- 适用单相电源
- 温度显示器

Device 装置

B Built-in Water Mixer
内置单控式混合龙头



D Plug-In Type Shower Head
插座式花洒头

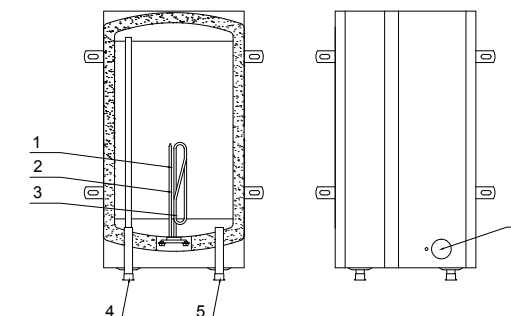


M Slide Bar Type Shower Head
直柱式花洒头



Model 型号	GPNB-5C
Voltage 电压 / Frequency 频率	220 V / 50 Hz
Power 功率	2, 3, 4 kW
Product Dimensions (mm) 机身尺寸(毫米)	(H)560 (W)330 (D)250 mm
Capacity 容量	5 gal / 18 L
Net Weight 净重	11 kg
Net Weight: Full Tank 注水后重量	28.64 kg
Working Pressure 正常水压	0 kPa
Testing Pressure 测试水压	500 kPa
Water Resistance 防水等级	IPX4
Thermometer 温度显示器	Included 已配置
Standard Device 标准装置	B, D
Changeable Device 可更换装置	M
Certification / Standard 安全认证 / 国际标准	CCC, IEC 60335-2-21, GB4706.1, GB4706.12, Class 1

Specifications and designs are subject to change without prior notice. The appearance of the actual product shall prevail. If there are any inconsistencies or ambiguities between the English version and the Chinese version, the Chinese version shall prevail. Refer to www.germanpool.com for the most up-to-date version. 产品规格及设计如有变更，恕不另行通知。产品外观以实物为准。中英文版本如有出入，一概以中文版为准。最新版本以www.germanpool.com网上版为准。



Product Structure

1. Temperature Sensing Tube
2. Thermostat Probe
3. Heating Element
4. Outlet (Hot)
5. Inlet (Cold)
6. Thermostat

产品结构

1. 感温管
2. 恒温器探头
3. 发热线
4. 出水位(热)
5. 入水位(冷)
6. 恒温器



以上资料及产品图片仅供参考。

GERMAN
POOL



GPU SERIES CENTRAL STORAGE ELECTRIC WATER HEATER

中央储水式电热水器



The GPU water heater series was patented in the United Kingdom and registered in Hong Kong. Using advanced technology and skilled craftsmanship, the series conforms to the Standards of International Electrotechnical Commission (IEC) and complies with international safety standards and waterworks regulations, making this series ideal for household and commercial use.

The central storage design of GPU water heater series makes it possible to have multiple water outlets sharing the same heating system, which means it can provide supply to the bath, shower, sink, and kitchen all at the same time. A wide selection of configurations, with options in style, capacity and in/out position, is available to fit different household and commercial environments. The GPU series are suitable for families, hotels, shopping malls, beauty parlours, hospitals, clinics, or the F&B industry.

德国宝中央系统储水式电热水器系列荣获英国设计专利，并同时于香港正式登记注册。本系列采用先进科技及世界一流之配件，根据国际标准（IEC）生产而成，符合有关国家之安全标准及水务条例，适合任何楼宇及供水环境使用。GPU中央系统储水式电热水器就是只需要安装一具热水器，即可接驳一个或以上之出水位置，可供同时使用热水，安装一部中央系统储水式电热水器便能同时供应浴室、浴缸、洗手盘及厨房。德国宝配备全港至齐全之外型款式、容量及出入水位配搭以供选择，不论家庭、酒店、商场、美容院、医院、诊所、及各餐饮行业均适合采用。安装GPU系列时无须加装气喉或任何额外安全装置，GPU内置五重保险装置，为用户提供一个方便、简单及安全可靠的热水供应系统。

FEATURES

特点

Heavy Gauge Stainless Steel Inner Tank

Japanese heavy gauge stainless steel inner tank assembled by TIG welding technology ensures an operation free of rust, corrosion, deformity and leakage.

10-Year Warranty for the Inner Tank

Each water heater comes with 10-year warranty for the inner tank and 1-year warranty for electrical parts.

(Note: For users outside Hong Kong, please refer to the warranty terms provided by local agents)

High Efficiency

Heating element is entirely immersed under water to directly conduct heat energy to water and reduce heat loss. The injected polyurethane foam can provide maximum insulation to water tank. Also, GPU water heaters are awarded "1st Class Energy Efficiency Label". Their energy efficiency is guaranteed.

Multi-Point Application

GPU Central Water Heating System is capable of connecting to multiple outlets (e.g. bath tub, shower, bathroom sink, kitchen sink, etc.) with one unit.

Pollution-Free Environment

GPU produces no gas pollutants during water heating process. Its operation is absolutely free of toxic substances and odour.

Stable Temperature

GPU is equipped with thermostatic control which ensures constant water temperature at all time. No ignition is required.

Constant Water Pressure

The operation is not affected by the pressure of water supply. Hot water can be provided as long as there is cold water supply.

Safe & Reliable Operation

The water heaters are completely electricity-powered, with no risk of gas leakage. In addition to a neutral terminal, each water heater is equipped with a built-in "5-Tier Safety Device" to ensure absolute safety and reliability.

特殊不锈钢内胆

GPU系列之内胆是利用氩弧钨焊技术、采用长期耐高温及受高压容器专用之日本特殊不锈钢精制而成，不单防锈耐压，而且耐水质侵蚀，毋须担心出现变形或漏水等情况。

十年内胆保用

GPU系列内每个产品均附上全港首创十年内胆保用*、一年电器零件保用证明及质量证明书，保证质量。

(注: 香港以外地区用户，请参照当地代理商所订立之保用条款)

省钱节能

由于发热管完全浸于水中，产生的热量都能直接传至水中，相比气体热水器的间接传热方式，节省更多能源和金钱。加上，GPU炉胆有完密喷注式保温层，使用先进合成树脂纤维材料，可长时间保持热水温度，失温程度降至最低。此外，GPU储水式热水器荣获「一级能源标签」，省电效能有绝对保证。

一炉多用

GPU电热水器可同时接驳多个出水位使用，如浴缸、花洒、浴室洗手盆及厨房洗碗盆等。

环保舒适

GPU电热水器在制热时不会产生废气，并且无毒、无色、无味、无臭。使用时不需打开窗户室内环境仍能保持清新舒适。

温度稳定

使用时不像其他气体燃料热水器般因受到水压影响而忽冷忽热，全自动操作，毋须打火开关，既安全又稳定。

水压稳定

不受任何高低水压限制，只要有冷水供应便可进行制热程序，杜绝一切因水压低而无法提供热水的情况。

安全可靠

由于是电源制热的关系，绝无气体泄漏危险。另外，每个热水器都设有水线防止漏电危险，更特别配备「五重保险装置」，确保操作百分百安全可靠。



5-TIER SAFETY DEVICE

五重保險裝置

1st Tier: Automatic Thermostatic Control

Temperature can be adjusted according to user's preference (max. $75\pm 3^{\circ}\text{C}$) with the French-made Thermostat. When the desired water temperature is reached, electricity would be cut off automatically; once the water temperature drops below the desired temperature, power will be connected again.

2nd Tier: Thermal Cut-Out

The built-in French-made Thermal Cut-Out is set at 82°C . If water temperature reaches 82°C , power would be cut off automatically, and Thermostat should be checked up by an authorised technician.

3rd Tier: Temperature Relief Valve

When water temperature reaches 90°C , water will be released through the Temperature Relief Valve which is made in Italy. This helps to prevent steam accumulation caused by continuous heating of water within the inner tank.

4th Tier: Pressure Relief Valve

Normal working pressure is set at 1,000 kPa (10 bar). Under unusual circumstances, the inner tank may be subjected to excess pressure. GPU can automatically release pressure through the Italian-made built-in Pressure Relief Valve.

Note 1: Incoming pressure should not exceed 500 kPa (5 bar) under normal working condition. Otherwise, extra pressure control device must be installed.

Note 2: Each inner tank has been subjected to a 2,000 kPa (20 bar) pressure test prior to shipping.

5th Tier: Anti-Back Syphon Device

In order to prevent heated water from being syphoned back to the supply pipe during water shortage period, GPU's Anti-Back Syphon Device constantly keeps water tank fully filled. This can effectively protect inner tank from being damaged and the heating element from dry-heating.

第一重：自动恒温设备

使用者可随时因应个人习惯而调校法国制恒温掣温度(最高 $75\pm 3^{\circ}\text{C}$)。温度选定后，若温度达到预调之最高温，电源会立即自动被切断；相反，当水温低于预调温度，电源便会自动打开。

第二重：超温断路设备

GPU内设有法国制固定温度断路掣(最高温度为 82°C)。若水温达到 82°C 时，超温断路装置会立即将所有电源切断，以提醒使用者应找注册维修技师检查自动恒温器，确保安全。

第三重：超温感应排放阀

当水温达到 90°C 时，GPU热水器的意大利制超温感应排放阀门便会自动打开，以防止热水器炉胆因连续加热而产生压缩蒸气。

第四重：压力感应排放阀

GPU炉胆加热后水压上限设定为1,000kPa (10 bar)。在不正常情况下来水压力超越了指定压力时，意大利制压力排放阀随即自动打开阀门，将水排出。

注一：正常情况下，供水系统之来水水压不能超过 500 kPa (5 bar)，否则用户须额外加装减压器。

注二：产品出厂前内胆测试压力为2,000 kPa (20 bar)。

第五重：防倒流装置

GPU电热水器设有防倒流装置，当遇到无水供应情况时(如供水系统故障)，防倒流安全装置能有效地防止炉胆内热水产生回抽作用(Back Syphon)，以免内胆结构受破坏，同时保证发热管不因缺水而干烧。

TOP QUALITY COMPONENTS

优质进口配件

超温及超压排放阀 Pressure and Temperature Relief Valve (P.T.V.)



意大利制造
Made in Italy



超温排放固定于90°C，或压力排放于1,000kPa。
Temperature relief at/over 90°C and pressure relief at/over 1,000kPa.

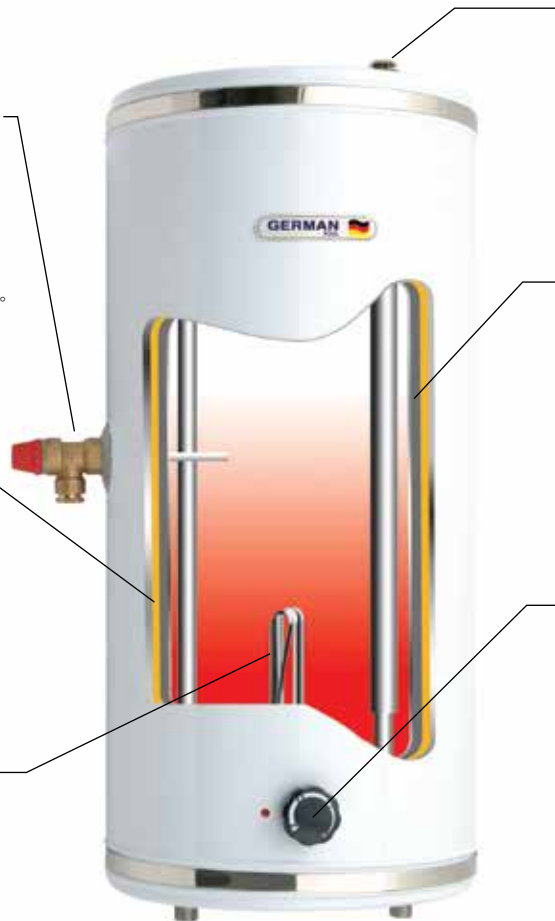
节能保温设计 Effective Insulation

完密喷注式保温层，使用先进合成树脂纤维材料，失温程度最低、保持热水温度，节省电能。

Optimal heat insulation is achieved by injected polyurethane foam.

高效发热管 Quality Heating Element

高质发热管，发挥最高导热效能。
Quality heating element ensures maximum thermal efficiency.



防倒流装置 Anti-Back Syphon Device



当无水供应时控制热水器内的水不能排出。
Prevent heated water from being syphoned back to supply pipe during water shortage period

顶级不锈钢内胆 Premium Stainless Steel Inner Tank



日本制造
Made in Japan

顶级耐腐蚀日本特殊不锈钢内胆，采用氩弧钨焊技术，确保防锈、耐压，不受水质侵蚀。
Ultra-durable Japanese heavy gauge stainless steel inner tank assembled by TIG welding technology ensures tank is entirely free of rust, corrosion, leakage and deformity.

2合1温度调节器及 超温断路器 2-in-1 Thermostat and Thermal Cut-Out



法国制造
Made in France



温度调节器自动恒温，保持水温在预设温度（最高75°C ± 3°C），节省能源及配合个人的使用热水习惯。超温断路器设定温度上限为82°C。崭新2合1设计更为简洁耐用。

Thermostat provides automatic temperature control at preset temperature to accommodate individual bathing habits, saving energy. Thermal Cut-Out is set at a maximum temperature of 82°C. The advanced 2-in-1 design makes it more compact and durable.



首家荣获「一级能源标签」
First To Receive
"1st Class Energy Efficiency Label"



获取「中国能效标识」
Received
"China Energy Label"



每个热水器除设水线防止漏电外，更备「五重保险装置」，确保操作百分百安全可靠。
Each water heater is equipped with a built-in "5-Tier Safety Device" to ensure absolute safety and reliability.



全港首创十年内胆保用、一年电器零件保用证明及质量证明书，保证质量。
All water heaters come with a quality passport with 10-year warranty for the inner tank and 1-year warranty for electrical parts.



符合机电工程署电气产品(安全)规例
Comply With Hong Kong Electrical
Products (Safety) Regulation



获取3C认证标志
Received
"China Compulsory Certificate" (CCC)



香港Q唛优质标志认证 (牌照号码: E116)
Q-Mark Certifications (License No. E116)

* 认证型号 Certified models:
GPU-6.5, GPU-8SL, GPU-10, GPU-15, GPU-2

GPU-GB

Cylindrical
圆形

CYLINDRICAL VERTICAL TYPE WALL-MOUNT STYLE 垂直圆形挂墙式

Features 产品特点

- Inlet & outlet located at bottom of heater
- Flexible configurations to accommodate existing piping condition
- Pressure and Temperature Valve located on left or right side of heater (*Except Slimline model)
- High thermal efficiency
- 5-Tier safety device
- Capacity available: 3.5 - 25 Gal
- 底部入出水设计
- 炉款及安装可配合楼宇冷热水水管位置，毋须改装现有喉位
- 备左或右超温及压力感应排放阀选择 (*超薄型除外)
- 垂直内胆设计，制热效能特强
- 五重保险装置，安全可靠
- 容量选择：3.5 - 25加仑

Style Code 款式编号	GB
Inlet Position 入水位置	Bottom 底
Outlet Position 出水位置	Bottom 底
Heating Element Position 发热线位置	Bottom 底

Sub-Model 副型号	Product Dimensions 机身尺寸 (mm)		Capacity 容量		Voltage / Electric Power (kW) 电压 / 功率	Certification / Standard 安全认证 / 国际标准
	Width 阔	Diameter 直径 Ø	Gallon 加仑	Litre 公升		
GPU-3.5	450	305	3.5	15	220 V (1 PE)	Class 1
GPU-6.5	660	305	6.5	25		
GPU-10	700	356	10	40	220 V (1 PE) / 380 V (3 PE)	CCC, Class 1
GPU-15	720	432	15	60		
GPU-20	880	432	20	80		
GPU-25	1050	432	25	100		N/A

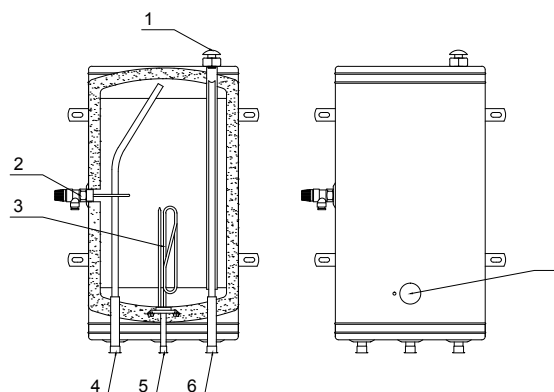
Specifications and designs are subject to change without prior notice. The appearance of the actual product shall prevail. If there are any inconsistencies or ambiguities between the English version and the Chinese version, the Chinese version shall prevail. Refer to www.germanpool.com for the most up-to-date version. 产品规格及设计如有变更，恕不另行通知。产品外观以实物为准。中英文版本如有出入，一概以中文版为准。最新版本以 www.germanpool.com 网上版为准。



Central Storage
中央系统
储水式

容量
Capacity
3.5 - 25
Gal 加仑

Certification 认证



Product Structure

1. Anti-Back Syphon Device
2. Pressure & Temperature Relief Valve (PTV)
3. Heating Element
4. Outlet (Hot)
5. Drain
6. Inlet (Cold)
7. Thermostat

产品结构

1. 防倒流装置
2. 超温及超压排放阀
3. 发热线
4. 出水位 (热)
5. 排水管
6. 入水位 (冷)
7. 恒温器

GPU-GF

External Thermostat Box
外置电箱

CYLINDRICAL VERTICAL TYPE WALL-MOUNT STYLE 垂直圆形挂墙式

Features 产品特点

- External Thermostat Box
- Inlet & outlet located at bottom of heater
- Flexible configurations to accommodate existing piping condition
- Pressure and Temperature Valve located on left or right side of heater (*Except Slimline model)
- High thermal efficiency
- 5-Tier safety device
- Capacity available: 3.5 - 25 Gal
- 外置电箱
- 底部入出水设计
- 炉款及安装可配合楼宇冷热水水管位置，毋须改装现有喉位
- 备左或右超温及压力感应排放阀选择 (*超薄型除外)
- 垂直内胆设计，制热效能特强
- 五重保险装置，安全可靠
- 容量选择：3.5 - 25加仑

Style Code 款式编号	GF
Inlet Position 入水位置	Bottom 底
Outlet Position 出水位置	Bottom 底
Heating Element Position 发热线位置	Front 前

Sub-Model 副型号	Product Dimensions 机身尺寸 (mm)		Capacity 容量		Voltage / Electric Power (kW) 电压 / 功率	Certification / Standard 安全认证 / 国际标准
	High 高	Diameter 直径 Ø	Gallon 加仑	Litre 公升		
GPU-3.5	380	305	3.5	15	220 V (1 PE)	Class 1
GPU-6.5	600	305	6.5	25		
GPU-10	650	356	10	40	220 V (1 PE) / 380 V (3 PE)	CCC, Class 1
GPU-15	650	432	15	60		
GPU-20	820	432	20	80		
GPU-25	980	432	25	100		
						N/A

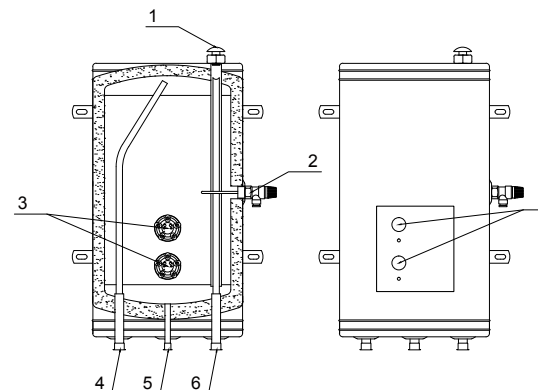
Specifications and designs are subject to change without prior notice. The appearance of the actual product shall prevail. If there are any inconsistencies or ambiguities between the English version and the Chinese version, the Chinese version shall prevail. Refer to www.germanpool.com for the most up-to-date version. 产品规格及设计如有变更，恕不另行通知。产品外观以实物为准。中英文版本如有出入，一概以中文版为准。最新版本以 www.germanpool.com 网上版为准。



Central Storage
中央系统
储水式

容量
Capacity
3.5 - 25
Gal 加仑

Certification 认证



Product Structure

1. Anti-Back Syphon Device
2. Pressure & Temperature Relief Valve (PTV)
3. Heating Element
4. Outlet (Hot)
5. Drain
6. Inlet (Cold)
7. Thermostat

产品结构

1. 防倒流装置
2. 超温及超压排放阀
3. 发热线
4. 出水位 (热)
5. 排水管
6. 入水位 (冷)
7. 恒温器

GPU-GB

Rectangular
方形

RECTANGULAR VERTICAL TYPE WALL-MOUNT STYLE 垂直方形挂墙式

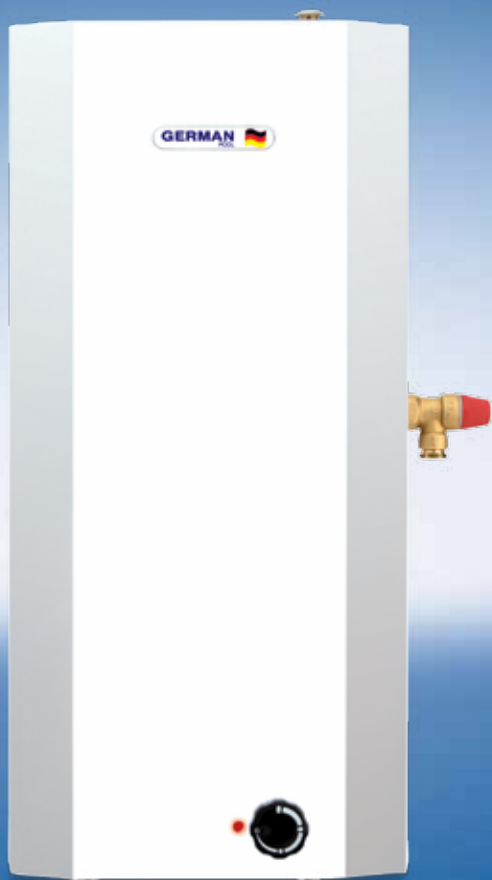
Features 产品特点

- Inlet & outlet located at bottom of heater
- Flexible configurations to accommodate existing piping condition
- Pressure and Temperature Valve located on left or right side of heater (*Except Slimline model)
- High thermal efficiency
- 5-Tier safety device
- Capacity available: 3.5 - 15 Gal
- 底部出入水设计
- 炉款及安装可配合楼宇冷热水水管位置，毋须改装现有喉位
- 备左或右超温及压力感应排放阀选择 (*超薄型除外)
- 垂直内胆设计，制热效能特强
- 五重保险装置，安全可靠
- 容量选择：3.5 - 15加仑

Style Code 款式编号	GB
Inlet Position 入水位置	Bottom 底
Outlet Position 出水位置	Bottom 底
Heating Element Position 发热线位置	Bottom 底

Sub-Model 副型号	Product Dimensions 机身尺寸 (mm) H x W x D 高x阔x深	Capacity 容量		Voltage / Electric Power (kW) 电压 / 功率	Certification / Standard 安全认证 / 国际标准
		Gallon 加仑	Litre 公升		
GPU-3.5	450 x 305 x 305	3.5	15	220 V (1 PE)	Class 1
GPU-6.5	660 x 305 x 305	6.5	25		
GPU-10	700 x 356 x 356	10	40	220 V (1 PE) / 380 V (3 PE)	CCC, Class 1
GPU-15	720 x 432 x 432	15	60		

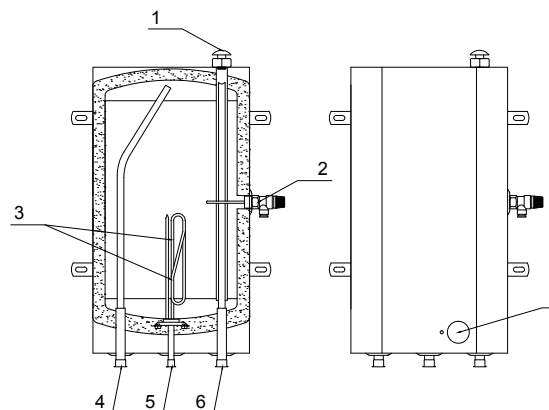
Specifications and designs are subject to change without prior notice. The appearance of the actual product shall prevail. If there are any inconsistencies or ambiguities between the English version and the Chinese version, the Chinese version shall prevail. Refer to www.germanpool.com for the most up-to-date version. 产品规格及设计如有变更，恕不另行通知。产品外观以实物为准。中英文版本如有出入，一概以中文版为准。最新版本以www.germanpool.com网上版为准。



Central Storage
中央系统
储水式

容量
Capacity
3.5 - 15
Gal 加仑

Certification 认证



Product Structure

1. Anti-Back Syphon Device
2. Pressure & Temperature Relief Valve (PTV)
3. Heating Element
4. Outlet (Hot)
5. Drain
6. Inlet (Cold)
7. Thermostat

产品结构

1. 防倒流装置
2. 超温及超压排放阀
3. 发热线
4. 出水位 (热)
5. 排水管
6. 入水位 (冷)
7. 恒温器

GPU-8SL

SLIMLINE VERTICAL TYPE WALL-MOUNT STYLE 垂直超薄挂墙式

Features 产品特点

- Inlet & outlet located at bottom of heater
- Flexible configurations to accommodate existing piping condition
- Slimline design with dual inner tank
- High thermal efficiency
- 5-Tier safety device
- Capacity available: 8 Gal
- 底部出入水设计
- 炉款及安装可配合楼宇冷热水水管位置，毋须改装现有喉位
- 超薄型双内胆设计
- 垂直内胆设计，制热效能特强
- 五重保险装置，安全可靠
- 容量选择：8加仑

Style Code 款式编号	8SL
Inlet Position 入水位置	Bottom 底
Outlet Position 出水位置	Bottom 底
Heating Element Position 发热线位置	Bottom 底

Product Dimensions 机身尺寸 (mm) H x W x D 高 x 阔 x 深	Capacity 容量		Voltage / Electric Power (kW) 电压 / 功率	Certification / Standard 安全认证 / 国际标准
	Gallon 加仑	Litre 公升		
700 x 420 x 210	8	30	220 V (1 PE)	CCC, Class 1

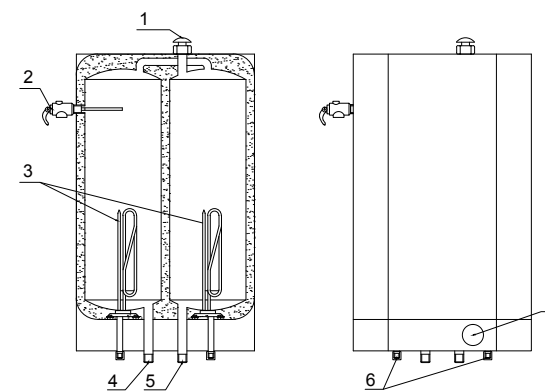
Specifications and designs are subject to change without prior notice. The appearance of the actual product shall prevail. If there are any inconsistencies or ambiguities between the English version and the Chinese version, the Chinese version shall prevail. Refer to www.germanpool.com for the most up-to-date version. 产品规格及设计如有变更，恕不另行通知。产品外观以实物为准。中英文版本如有出入，一概以中文版为准。最新版本以www.germanpool.com网上版为准。



Central Storage
中央系统
储水式

容量
Capacity
8
Gal 加仑

Certification 认证



Product Structure

1. Anti-Back Syphon Device
2. Pressure & Temperature Relief Valve (PTV)
3. Heating Element
4. Outlet (Hot)
5. Inlet (Cold)
6. Drain
7. Thermostat

产品结构

1. 防倒流装置
2. 超温及超压排放阀
3. 发热线
4. 出水位 (热)
5. 入水位 (冷)
6. 排水管
7. 恒温器

GPU-J7/8

CYLINDRICAL HORIZONTAL TYPE FLOOR-MOUNT STYLE 横置圆形*挂墙式

Features 产品特点

- Configurable inlet & outlet positions
- Horizontal design can be mounted behind false ceiling
- Flexible configurations to accommodate existing piping condition
- Capacity available: 3.5 - 25 Gal
- 备左或右出入水设计
- 横挂外型方便隐藏于假天花内
- 可配合楼宇冷热水水管位置，毋须改装现有喉位
- 容量选择：3.5 - 25加仑

Style Code 款式编号	J7	J8
Inlet Position 入水位置	Left 左	Right 右
Outlet Position 出水位置	Left 左	Right 右
Heating Element Position 发热线位置	Left 左	Right 右

Sub-Model 副型号	Product Dimensions 机身尺寸 (mm)		Capacity 容量		Voltage / Electric Power (kW) 电压 / 功率	Certification / Standard 安全认证 / 国际标准
	Width 阔	Diameter 直径 Ø	Gallon 加仑	Litre 公升		
GPU-3.5	450	305	3.5	15	220 V (1 PE)	Class 1
GPU-6.5	660	305	6.5	25		
GPU-10	700	356	10	40	220 V (1 PE) / 380 V (3 PE)	CCC, Class 1
GPU-15	720	432	15	60		
GPU-20	880	432	20	80		
GPU-25	1050	432	25	100		
						N/A

Specifications and designs are subject to change without prior notice. The appearance of the actual product shall prevail. If there are any inconsistencies or ambiguities between the English version and the Chinese version, the Chinese version shall prevail. Refer to www.germanpool.com for the most up-to-date version. 产品规格及设计如有变更，恕不另行通知。产品外观以实物为准。中英文版本如有出入，一概以中文版为准。最新版本以 www.germanpool.com 网上版为准。

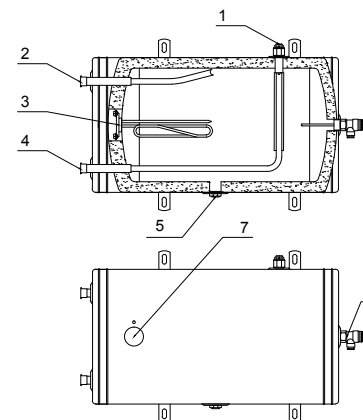
*注：横置热水器之热水输出量比垂直热水器略少，顾客应考虑购买大一级容量之型号。Note: Heating capacity of horizontal style would be slightly less than that of vertical style.



Central Storage
中央系统
储水式

容量
Capacity
3.5 - 25
Gal 加仑

Certification 认证



Product Structure

1. Anti-Back Syphon Device
2. Outlet (Hot)
3. Heating Element
4. Inlet (Cold)
5. Drain
6. Pressure & Temperature Relief Valve (PTV)
7. Thermostat

产品结构

1. 防倒流装置
2. 出水口 (热)
3. 发热线
4. 入水口 (冷)
5. 排水管
6. 超温及超压排放阀
7. 恒温器

GPU-JB/F

External Thermostat Box
外置电箱

CYLINDRICAL HORIZONTAL TYPE FLOOR-MOUNT STYLE 横置圆形*挂墙式

Features 产品特点

- External Thermostat Box
- Bottom inlet & outlet position available
- Horizontal design can be mounted behind false ceiling
- Flexible configurations to accommodate existing piping condition
- Pressure and Temperature Valve located on left or right side of heater
- 5-Tier safety device
- Capacity available: 3.5 - 25 Gal
- 外置电箱
- 备底部出入水设计
- 横挂外型方便隐藏于假天花内
- 可配合楼宇冷热水水管位置，毋须改装现有喉位
- 备左或右超温及压力感应排放阀选择
- 五重保险装置，安全可靠
- 容量选择：3.5 - 25加仑

Style Code 款式编号	JB	JF
Inlet Position 入水位置	Bottom 底	Bottom 底
Outlet Position 出水位置	Bottom 底	Bottom 底
Heating Element Position 发热线位置	Bottom 底	Front 前

Sub-Model 副型号	Product Dimensions 机身尺寸 (mm)		Capacity 容量		Voltage / Electric Power (kW) 电压 / 功率	Certification / Standard 安全认证 / 国际标准
	Width 阔	Diameter 直径 Ø	Gallon 加仑	Litre 公升		
GPU-3.5	380	305	3.5	15	220 V (1 PE)	Class 1
GPU-6.5	600	305	6.5	25		
GPU-10	650	356	10	40	220 V (1 PE) / 380 V (3 PE)	CCC, Class 1
GPU-15	650	432	15	60		
GPU-20	820	432	20	80		
GPU-25	980	432	25	100		N/A

Specifications and designs are subject to change without prior notice. The appearance of the actual product shall prevail. If there are any inconsistencies or ambiguities between the English version and the Chinese version, the Chinese version shall prevail. Refer to www.germanpool.com for the most up-to-date version. 产品规格及设计如有变更，恕不另行通知。产品外观以实物为准。中英文版本如有出入，一概以中文版为准。最新版本以 www.germanpool.com 网上版为准。

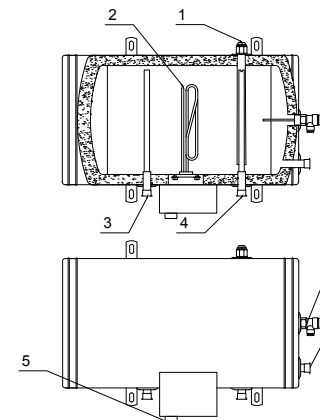
*注：横置热水器之热水输出量比垂直热水器略少，顾客应考虑购买大一级容量之型号。 Note: Heating capacity of horizontal style would be slightly less than that of vertical style.



Central Storage
中央系统
储水式

容量
Capacity
3.5 - 25
Gal 加仑

Certification 认证



Product Structure

1. Anti-Back Syphon Device
2. Heating Element
3. Outlet (Hot)
4. Inlet (Cold)
5. Thermostat
6. Drain
7. Pressure & Temperature Relief Valve (PTV)

产品结构

1. 防倒流装置
2. 发热线
3. 出水位 (热)
4. 入水位 (冷)
5. 恒温器
6. 排水管
7. 超温及超压排放阀

GPU-HF/3-6

External Thermostat Box
外置电箱

CYLINDRICAL VERTICAL TYPE FLOOR-MOUNT STYLE 垂直圆形座地式

Features 产品特点

- External Thermostat Box
- Multiple inlet & outlet configurations available to fit in almost any location. GPU-3.5 and GPU-6.5 are suitable for under-sink or storage room/cabinet installation
- Pressure and Temperature Valve located on left or right side of heater
- High thermal efficiency
- 5-Tier safety device
- Capacity available: 3.5 - 200 Gal
- 外置电箱
- 多种出入水位置配搭选择，可按需要安装于不同环境，GPU-3.5及GPU-6.5可选择放置于洗手盆底或储物柜内
- 备左或右超温及压力感应排放阀选择
- 垂直内胆设计，制热效能特强
- 五重保险装置，安全可靠
- 容量选择：3.5 - 200加仑

Style Code 款式编号	HF	H3	H4	H5	H6
Inlet Position 入水位置	Top 顶	Left 左	Right 右	Right 右	Left 左
Outlet Position 出水位置	Top 顶	Left 左	Right 右	Top 顶	Top 顶
Heating Element Position 发热线位置	Front 前	Front 前	Front 前	Front 前	Front 前

Sub-Model 副型号	Product Dimensions 机身尺寸 (mm)		Capacity 容量		Voltage / Power Supply 电压 / 电源	Certification / Standard 安全认证 / 国际标准
	High 高	Diameter 直径 Ø	Gallon 加仑	Litre 公升		
GPU-3.5	380	305	3.5	15	220 V (1 PE)	Class 1
GPU-6.5	600	305	6.5	25		
GPU-10	650	356	10	40		
GPU-15	650	432	15	60	220 V (1 PE) / 380 V (3 PE)	CCC, Class 1
GPU-20	820	432	20	80		
GPU-25	980	432	25	100		
GPU-30	850	508	30	120		
GPU-40	1030	508	40	150		
GPU-50	1040	560	50	200		
GPU-60	1230	560	60	230	380 V (3 PE)	N/A
GPU-80	1180	660	80	300		
GPU-100	1460	660	100	400		
GPU-150	1550	785	150	600		
GPU-200	2040	785	200	800		

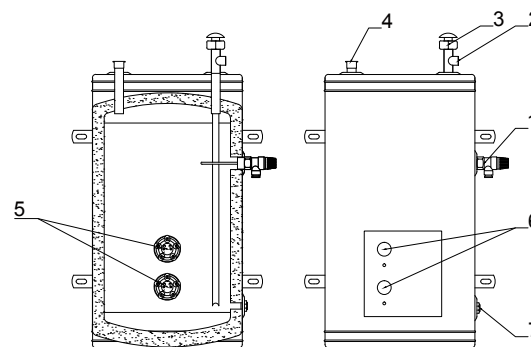
Specifications and designs are subject to change without prior notice. The appearance of the actual product shall prevail. If there are any inconsistencies or ambiguities between the English version and the Chinese version, the Chinese version shall prevail. Refer to www.germanpool.com for the most up-to-date version. 产品规格及设计如有变更，恕不另行通知。产品外观以实物为准。中英文版本如有出入，一概以中文版为准。最新版本以 www.germanpool.com 网上版为准。



Central Storage
中央系统
储水式

容量
Capacity
3.5 - 200
Gal 加仑

Certification 认证



Product Structure

1. Pressure & Temperature Relief Valve (PTV)
2. Inlet (Cold)
3. Anti-Back Syphon Device
4. Outlet (Hot)
5. Heating Element
6. Thermostat
7. Drain

产品结构

1. 超温及超压排放阀
2. 入水位 (冷)
3. 防倒流装置
4. 出水位 (热)
5. 发热线
6. 恒温器
7. 排水管

GPU-K3/4

CYLINDRICAL HORIZONTAL TYPE FLOOR-MOUNT STYLE 横置圆形*座地式

Features 产品特点

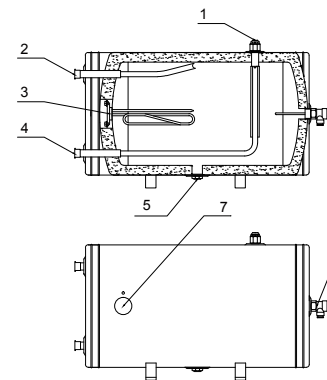
- Flexible configurations to accommodate existing piping condition
- Configurable thermostat positions; can be installed in any environment. GPU-3.5 and GPU-6.5 are suitable for under-sink or storage room/cabinet installation
- 5-Tier safety device
- Capacity available: 3.5 - 200 Gal
- 可配合楼宇冷热水水喉位置选择左或右出水，毋须改装现有喉位
- 多种发热线位置配搭选择，可按需要安装于不同环境，GPU-3.5及GPU-6.5可选择放置于洗手盆底或储物柜内
- 五重保险装置，安全可靠
- 容量选择：3.5 - 200加仑

Style Code 款式编号	K3	K4
Inlet Position 入水位置	Left 左	Right 右
Outlet Position 出水位置	Left 左	Right 右
Heating Element Position 发热线位置	Left 左	Right 右

Sub-Model 副型号	Product Dimensions 机身尺寸 (mm)		Capacity 容量		Voltage / Power Supply 电压 / 电源	Certification / Standard / 安全认证 / 国际标准
	Width 阔	Diameter 直径 Ø	Gallon 加仑	Litre 公升		
GPU-3.5	450	305	3.5	15	220 V (1 PE)	Class 1
GPU-6.5	660	305	6.5	25		
GPU-10	700	356	10	40		
GPU-15	720	432	15	60		
GPU-20	880	432	20	80		
GPU-25	1050	432	25	100		
GPU-30	920	508	30	120	220 V (1 PE) / 380 V (3 PE)	CCC, Class 1
GPU-40	1100	508	40	150		
GPU-50	1100	560	50	200		
GPU-60	1300	560	60	230		
GPU-80	1250	660	80	300	380 V (3 PE)	N/A
GPU-100	1530	660	100	400		
GPU-150	1620	785	150	600		
GPU-200	2110	785	200	800		

Specifications and designs are subject to change without prior notice. The appearance of the actual product shall prevail. If there are any inconsistencies or ambiguities between the English version and the Chinese version, the Chinese version shall prevail. Refer to www.germanpool.com for the most up-to-date version. 产品规格及设计如有变更，恕不另行通知。产品外观以实物为准。中英文版本如有出入，一概以中文版为准。最新版本以www.germanpool.com网上版为准。

*注：横置热水器之热水输出量比垂直热水器略少，顾客应考虑购买大一级容量之型号。Note: Heating capacity of horizontal style would be slightly less than that of vertical style.



Product Structure

1. Anti-Back Siphon Device
2. Outlet (Hot)
3. Heating Element
4. Inlet (Cold)
5. Drain
6. Pressure & Temperature Relief Valve (PTV)
7. Thermostat

产品结构

1. 防倒流装置
2. 出水位 (热)
3. 发热线
4. 入水位 (冷)
5. 排水管
6. 超温及超压排放阀
7. 恒温器

The above information and photos are for reference only.

Certification 认证



Central Storage
中央系统
储水式

容量
Capacity
3.5 - 200
Gal 加仑

GPU-KF/5/6

External Thermostat Box
外置电箱

CYLINDRICAL HORIZONTAL TYPE FLOOR-MOUNT STYLE 横置圆形*座地式

Features 产品特点

- External Thermostat Box
- Multiple inlet & outlet configurations available to fit in almost any location. GPU-3.5 and GPU-6.5 are suitable for under-sink or storage room/cabinet installation
- Pressure and Temperature Valve located on left or right side of heater
- 5-Tier safety device
- Capacity available: 3.5 - 200 Gal
- 外置电箱
- 多种出入水位置配搭选择，可按需要安装于不同环境，GPU-3.5及GPU-6.5可选择放置于洗手盆底或储物柜内
- 备左或右超温及压力感应排放阀选择
- 五重保险装置，安全可靠
- 容量选择：3.5 - 200加仑

Style Code 款式编号	KF	K5	K6
Inlet Position 入水位置	Top 顶	Left 左	Right 右
Outlet Position 出水位置	Top 顶	Left 左	Right 右
Heating Element Position 发热线位置	Front 前	Front 前	Front 前

Sub-Model 副型号	Product Dimensions 机身尺寸 (mm)		Capacity 容量		Voltage / Power Supply 电压 / 电源	Certification / Standard 安全认证 / 国际标准
	Width 阔	Diameter 直径 Ø	Gallon 加仑	Litre 公升		
GPU-3.5	450	305	3.5	15	220 V (1 PE)	Class 1
GPU-6.5	660	305	6.5	25		
GPU-10	700	356	10	40		
GPU-15	720	432	15	60		
GPU-20	880	432	20	80	220 V (1 PE) 380 V (3 PE)	CCC, Class 1
GPU-25	1050	432	25	100		
GPU-30	920	508	30	120		
GPU-40	1100	508	40	150		
GPU-50	1100	560	50	200	380 V (3 PE)	N/A
GPU-60	1300	560	60	230		
GPU-80	1250	660	80	300		
GPU-100	1530	660	100	400		
GPU-150	1620	785	150	600	380 V (3 PE)	N/A
GPU-200	2110	785	200	800		

Specifications and designs are subject to change without prior notice. The appearance of the actual product shall prevail. If there are any inconsistencies or ambiguities between the English version and the Chinese version, the Chinese version shall prevail. Refer to www.germanpool.com for the most up-to-date version. 产品规格及设计如有变更，恕不另行通知。产品外观以实物为准。中英文版本如有出入，一概以中文版为准。最新版本以 www.germanpool.com 网上版为准。

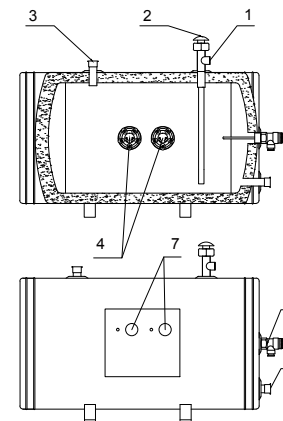
*注：横置热水器之热水输出量比垂直热水器略少，顾客应考虑购买大一级容量之型号。Note: Heating capacity of horizontal style would be slightly less than that of vertical style.



Central Storage
中央系统
储水式

容量
Capacity
3.5 - 200
Gal 加仑

Certification 认证



Product Structure

1. Inlet (Cold)
2. Anti-Back Syphon Device
3. Outlet (Hot)
4. Heating Element
5. Drain
6. Pressure & Temperature Relief Valve (PTV)
7. Thermostat

产品结构

1. 入水位 (冷)
2. 防倒流装置
3. 出水位 (热)
4. 发热线
5. 排水管
6. 超温及超压排放阀
7. 恒温器

GERMAN
POOL



GPS SERIES INSTANTANEOUS GAS WATER HEATER

超薄数码恒温气体热水器系列

FEATURES

特点

With a 120mm thickness, German Pool's Instantaneous Gas Water Heaters are one of the thinnest in Hong Kong. With a space-saving and elegant design, it uses 3-level automatic combustion control to give a more stable and economical performance. The GPS's soft-touch control keys and digital display make it the ultimate user-friendly choice.

Super Slim 120mm Design

Most of the wall-mount gas water heaters are thicker than 135mm; our GPS13 is designed for Hong Kong home with a super slim exterior which gives it a space-saving and elegant outlook.

3-Level Automatic Combustion Control

The energy efficient 3-Level Automatic Combustion Control automatically detects the differences in incoming water temperature and adjusts accordingly to ensure comfortable hot water through the seasons. The GPS13 and GPS16 give a reliable and stable supply of hot water between the range of 30°C* to 65°C with a heat efficiency of up to 88%. This energy saving and eco-friendly measure is ideal especially during the hot summer.

* 30°C is the current minimum temperature requirement in the market. Not applicable to GPS12.

'Safety Seal' Protection System

Self-inspection system "Safety Seal" protection system, the heater will stop functioning if the water pressure is too low. Flame failure safety device, overheat safety device, anti-leakage of electricity safety device (anti-shock device), safety fuse, pressure release valve, water-cut-off safety device, Top flue and back flue models available 3-level automatic combustion control.

德国宝气体热水炉首创全港至薄120mm外挂式机身，外型慳位美观;其特设的3段自动切换燃气控制，比一般气体热水炉稳定、省能源；加上全电子自动操控，配合有线遥控以供选择，操作容易，为您带来最舒适的沐浴享受。

超薄120mm设计

市面上外挂式气体热水炉的机身厚度一般为135mm以上，德国宝气体热水炉GPS13则采用超薄120mm设计，纤薄的机身慳位又美观，特别为香港浴室度身订造。

三段火燃气控制

节能3段比例燃烧控制，自动感应四季来水温度而切换，舒适又节能。GPS13能有效稳定热水供应，热效能高达88%；出水温度可于30°C*-65°C间，极为慳气耐用，尤其适合香港炎热的夏天使用，合乎经济及环保原则。* 30°C水温为现时市面上最低的热热水温度

* 不适用于GPS12

密封式安全设计

独有内藏密封式安全设计，内部结构完全采用密封式保护，安全可靠。此外，GPS13配备多重安全保护装置，包括：熄火安全装置、闪电保护安全装置、过热安全装置、热水高温安全装置、电流保险丝及压力排放阀，绝对符合安全标准。

GPS-12

HYDRAULIC INSTANTANEOUS GAS WATER HEATER 水压恒温气体热水器

Features 产品特点

- 12L hot water supply per min.
- Slim design for modern bathroom
- Soft-touch control keys and digital display
- Self-inspection system
- Supply for multiple outlets
- Top flue and back flue models available
- Energy Efficiency Label accredited by EMSD
- 每分钟出水量12公升
- 可随意调校流量
- 备有简易按键及液晶显示屏
- 自动检测功能，确保运作安全
- 可同步于浴室及厨房多点供应热水
- 备有背出排气/顶出排气型号
- 机电署颁发能源效益标签

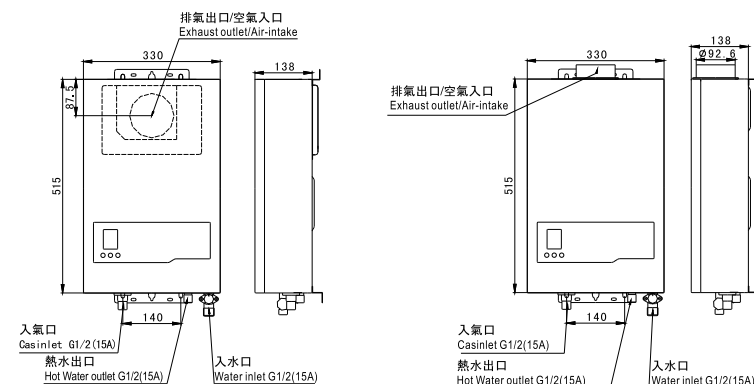
Model 型号	Top Flue 机顶排气	GPS12-TG-U/W	GPS12-LG-U/W	GPS12-NG-U/W
	Back Flue 机背排气	GPS12-TG-B/W	GPS12-LG-B/W	GPS12-NG-B/W
Fuel Type 气体类型	Towngas (TG) 煤气	LPG (LG) 石油气	Natural Gas (NG) 天然气	
Voltage / Frequency 电压 / 频率	220 V / 50 Hz			
Electric Power 功率	40 W			
Heat Load 热负荷	25 kW	Top Flue: 25 kW Back Flue: 24 kW	24 kW	
Max./Min. Gas Consumption Rate (m ³ /h) 最高/低气体消耗量	4.8 / 1.5	0.7 / 0.23	0.9 / 0.23	
Hot Water Output (Max./Min.) (Δt = 25°C) L/min 最高/低出水量 (温升25°C)	12 / 4.2	12 / 4.2	12 / 4.5	
Heat Efficiency 热效率	≥86%			
Temperature Control Range 水温调节范围	38°C - 65°C			
Control Method 控制方式	Hydraulic Control 水压控制			
Ignition Type 点火方式	Automatic Electric Continuous Spark Ignition 电子连续点火			
Suitable Water Pressure 适用水压范围	0.01 - 0.80 MPa (0.1-8 kgf/cm ²)			
Product Dimensions (mm) 机身尺寸(毫米)	515 mm (H) x 330 mm (W) x 138 mm (D)			
Net Weight 净重	11.5 kg			
Certification / Standard 安全认证 / 国际标准	GU			

Specifications and designs are subject to change without prior notice. The appearance of the actual product shall prevail. If there are any inconsistencies or ambiguities between the English version and the Chinese version, the Chinese version shall prevail. Refer to www.germanpool.com for the most up-to-date version. 产品规格及设计如有变更，恕不另行通知。产品外观以实物为准。中英文版本如有出入，一概以中文版为准。最新版本以www.germanpool.com网上版为准。

Product Structure 产品结构

Back Flue 机背排气

Top Flue 机顶排气



The above information and photos are for reference only.



Instantaneous Gas
恒温气体
即热式

出水量
Water Output
12
Litre/min
公升/分钟

GPS-212

HYDRAULIC INSTANTANEOUS GAS WATER HEATER 水压恒温气体热水器

Features 产品特点

- 12L hot water supply per min.
- Slim design for modern bathroom
- Soft-touch control keys and digital display
- Self-inspection system
- Supply for multiple outlets
- Top flue and back flue models available
- Energy Efficiency Label accredited by EMSD
- 每分钟出水量12公升
- 可随意调校流量
- 备有简易按键及液晶显示屏
- 自动检测功能，确保运作安全
- 可同步于浴室及厨房多点供应热水
- 备有背出排气/顶出排气型号
- 机电署颁发能源效益标签

Model 型号	Top Flue 机顶排气	GPS212-TG-U	GPS212-LG-U
	Back Flue 机背排气	GPS212-TG-B	GPS212-LG-B
Fuel Type 气体类型		Towngas (TG) 煤气	LPG (LG) 石油气
Voltage / Frequency 电压 / 频率	220 V / 50 Hz		
Electric Power 功率	33 W	48 W	
Heat Load 热负荷	34 kW		
Max./Min. Gas Consumption Rate (m ³ /h) 最高/低气体消耗量	3.35 / 0.63	1.20 / 0.23	
Hot Water Output (Max./Min.) (Δt = 25°C) L/min 最高/低出水量 (温升25°C)	16 / 3.0		
Heat Efficiency 热效率	≥79%	≥81%	
Temperature Control Range 水温调节范围	34°C - 65 °C		
Ignition Type 点火方式	Automatic Electric Continuous Spark Ignition 电子连续点火		
Suitable Water Pressure 适用水压范围	0.02 - 0.80 MPa (0.2-8 kgf/cm ²)		
Product Dimensions (mm) 机身尺寸(毫米)	550 mm (H) x 345 mm (W) x 138 mm (D)		
Net Weight 净重	14 kg		
Certification / Standard 安全认证 / 国际标准	GU		

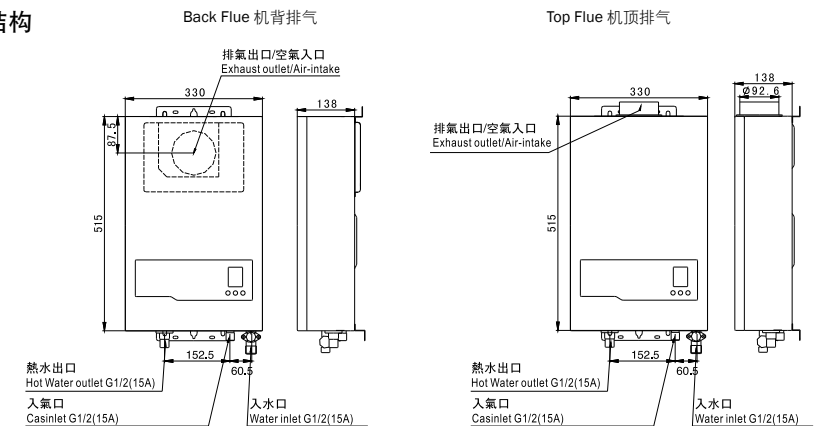
Specifications and designs are subject to change without prior notice. The appearance of the actual product shall prevail. If there are any inconsistencies or ambiguities between the English version and the Chinese version, the Chinese version shall prevail. Refer to www.germanpool.com for the most up-to-date version. 产品规格及设计如有变更，恕不另行通知。产品外观以实物为准。中英文版本如有出入，一概以中文版为准。最新版本以www.germanpool.com网上版为准。



Instantaneous Gas
恒温气体
即热式

出水量
Water Output
12
Litres/min
公升/分钟

Product Structure 产品结构



GPS-13

ELECTRONIC INSTANTANEOUS GAS WATER HEATER 电子恒温气体热水器

Features 产品特点

- 13L hot water supply per min.
- 120 mm super slim body
- Automatic electronic control
- Self-inspection system
- Optional corded remote control module available
- Top flue and back flue models available
- Energy Efficiency Label accredited by EMSD
- 每分钟出水量13公升
- 突破性120mm超薄机身
- 全电子智能控制
- 自动检测功能
- 另备线控器可供选购
- 备有背出排气/顶出排气型号
- 机电署颁发能源效益标签

Model 型号	Top Flue 机顶排气	GPS13-TG-U/W	GPS13-LG-U/W	GPS13-NG-U/W
	Back Flue 机背排气	GPS13-TG-B/W	GPS13-LG-B/W	GPS13-NG-B/W
Fuel Type 气体类型		Towngas (TG) 煤气	LPG (LG) 石油气	Natural Gas (NG) 天然气
Voltage / Frequency 电压 / 频率	220 V / 50 Hz			
Electric Power 功率	33 W			
Heat Load 热负荷	28 kW			
Max./Min. Gas Consumption Rate (m ³ /h) 最高/低气体消耗量	5.6 / 1.2	0.92 / 0.20		
Hot Water Output (Max./Min.) (Δt = 25 °C) L/min 最高/低出水量 (温升25°C)	13 / 3.0			
Heat Efficiency 热效率	≥88%			
Temperature Control Range 水温调节范围	30 °C - 65 °C			
Control Method 控制方式	Electronic Control 电子控制			
Ignition Type 点火方式	Automatic Electric Continuous Spark Ignition 电子连续点火			
Suitable Water Pressure 适用水压范围	0.02 - 0.80 MPa (0.2-8 kgf/cm ²)			
Product Dimensions (mm) 机身尺寸(毫米)	520 mm (H) x 320 mm (W) x 120 mm (D)			
Net Weight 净重	12.5 kg			
Certification / Standard 安全认证 / 国际标准	GU			

Specifications and designs are subject to change without prior notice. The appearance of the actual product shall prevail. If there are any inconsistencies or ambiguities between the English version and the Chinese version, the Chinese version shall prevail. Refer to www.germanpool.com for the most up-to-date version. 产品规格及设计如有变更, 恕不另行通知。产品外观以实物为准。中英文版本如有出入, 一概以中文版为准。最新版本以www.germanpool.com网上版为准。

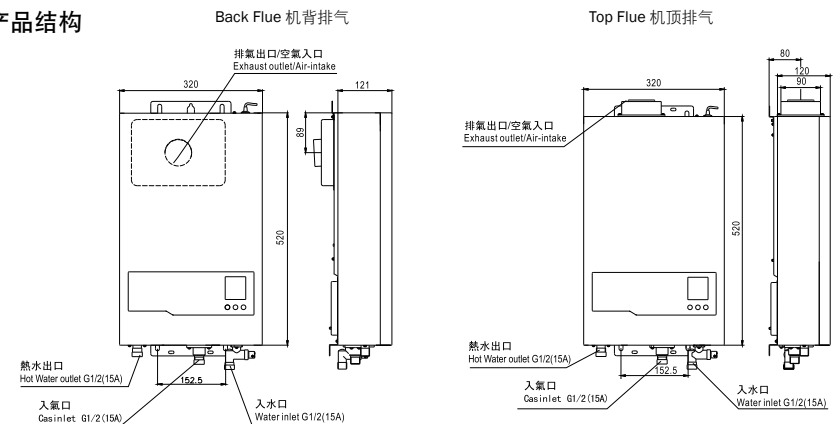


Cable Remote (Optional)
有线遥控器 (需另购)

Instantaneous Gas
恒温气体
即热式

出水量
Water Output
13
Litres/min
公升/分钟

Product Structure 产品结构



The above information and photos are for reference only.

GPS-16

ELECTRONIC INSTANTANEOUS GAS WATER HEATER 电子恒温气体热水器

Features 产品特点

- 16L hot water supply per min.
- Automatic electronic control
- Self-inspection system
- Optional corded remote control module available
- Top flue and back flue models available
- 每分钟出水量16公升
- 全电子智能控制
- 自动检测功能
- 另备线控器可供选购
- 备有背出排气/顶出排气型号

Model 型号	Top Flue 机顶排气	GPS16-TG-U	GPS16-LG-U
	Back Flue 机背排气	GPS16-TG-B	GPS16-LG-B
Fuel Type 气体类型	Towngas (TG) 煤气		LPG (LG) 石油气
Voltage / Frequency 电压 / 频率	220 V / 50 Hz		
Electric Power 功率	33 W	48 W	
Heat Load 热负荷	34 kW		
Max./Min. Gas Consumption Rate (m³/h) 最高/低气体消耗量	3.35 / 0.63	1.20 / 0.23	
Hot Water Output (Max./Min.) (Δt = 25°C) L/min 最高/低出水量 (温升25°C)	16 / 3.0		
Heat Efficiency 热效率	≥79%	≥81%	
Temperature Control Range 水温调节范围	30°C - 65 °C		
Control Method 控制方式	Electronic Control 电子控制		
Ignition Type 点火方式	Automatic Electric Continuous Spark Ignition 电子连续点火		
Suitable Water Pressure 适用水压范围	0.02 - 0.80 MPa (0.2-8 kgf/cm²)		
Product Dimensions (mm) 机身尺寸(毫米)	550 mm (H) x 345 mm (W) x 138 mm (D)		
Net Weight 净重	14 kg		
Certification / Standard 安全认证 / 国际标准	GU		

Specifications and designs are subject to change without prior notice. The appearance of the actual product shall prevail. If there are any inconsistencies or ambiguities between the English version and the Chinese version, the Chinese version shall prevail. Refer to www.germanpool.com for the most up-to-date version. 产品规格及设计如有变更，恕不另行通知。产品外观以实物为准。中英文版本如有出入，一概以中文版为准。最新版本以www.germanpool.com网上版为准。



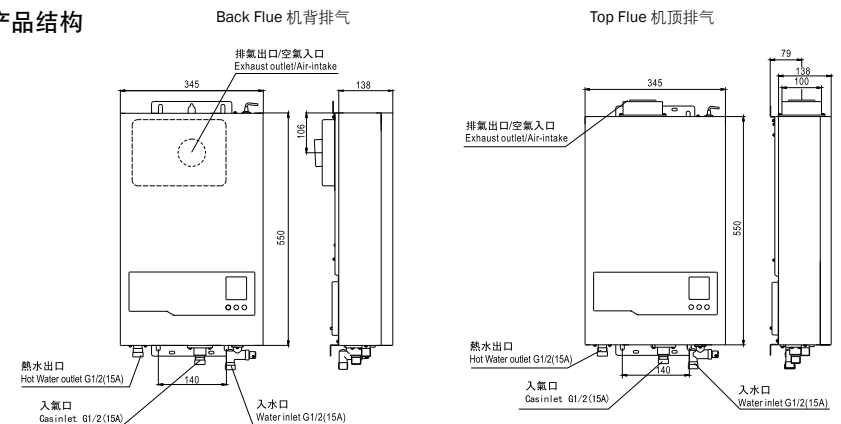
Cable Remote (Optional)
有线遥控器 (需另购)

Instantaneous Gas
恒温气体
即热式

出水量
Water Output
16
Litre/min
公升/分钟

以上资料及产品图片仅供参考。

Product Structure 产品结构



GERMAN
POOL



China Market Only
中国市场专用

GPC SERIES CENTRAL STORAGE ELECTRIC WATER HEATER

储水式电热水器 - 中央系统

Available only in China, the GPC series comes from the same family of quality excellence. In compliance with international and national safety standards, the GPC series is also granted the China Energy Label. The series is durable, reliable and efficient.

德国宝GPC中央储水式电热水器是由香港及德国工程师共同开发的产品，产品符合国际及国内安全标准，并取得中国能效标识，不仅耐用美观，且性能稳定超卓，能为用户提供一个方便简单且安全可靠的热热水供应系统。

FEATURES

特点

Heavy Gauge Stainless Steel Inner Tank

GPC's inner tank is welded using TIG Welding Technology and is made with heavy gauge stainless steel imported from Japan to ensure an operation free of rust, corrosion, deformity and leakage.

10-Year Warranty

Each water heater is provided with a quality passport with 10-year warranty for the inner tank and 1-year warranty for electrical parts.

High Efficiency

Heating element is entirely immersed under water to directly conduct heat energy to water and reduce heat loss. The injected polyurethane foam can provide maximum insulation to water tank. GPC water heaters have been awarded the "China Energy Label". Their energy efficiency is guaranteed.

Multi-Point Application

GPC Central Water Heating System is capable of connecting to multiple outlets (e.g. bath tub, shower, bathroom sink, kitchen sink, etc.) with one unit.

Pollution-Free Environment

GPC produces no gas pollutants during water heating process. Its operation is absolutely free of toxic substances and odour.

Stable Temperature

GPC is equipped with thermostatic control which ensures constant water temperature at all time. No ignition is required.

Constant Water Pressure

The operation is not affected by the pressure of water supply. Hot water can be provided as long as there is cold water supply.

Safe & Reliable Operation

The water heaters are completely electricity-powered, with no risk of gas leakage. In addition to a neutral terminal, each water heater is equipped with a built-in "4-Tier Safety Device" to ensure absolute safety and reliability.

特殊不锈钢内胆

GPC系列之内胆是利用氩弧钨焊技术(TIG Welding Technology)、采用长期耐高温及受高压容器专用之日本进口特殊不锈钢精制而成，不单防锈耐压，而且耐水质侵蚀，毋须担心出现变形或漏水等情况。

十年保用

GPC系列内每个产品均附上中国首创十年内胆保用、一年电子零件保用证明及质量证明书，保证质量。

省钱节能

由于发热管完全浸于水中，产生的热量都能直接传至水中，相比气体热水器的间接传热方式，节省更多能源和金钱。加上，GPC炉胆有完密喷注式保温层，使用先进合成树脂纤维材料，可长时间保持热水温度，失温程度降至最低。此外，GPC储水式热水器取得「中国能效标识」，省电效能有绝对保证。

一炉多用

GPC电热水器可同时接驳多个出水位使用，如浴缸、花洒、浴室洗手盆及厨房洗碗盆等。

环保舒适

GPC电热水器在制热时不会产生废气，并且无毒、无色、无味、无臭。使用时不需打开窗户，室内环境仍能保持清新舒适。

温度稳定

使用时不像其他气体燃料热水器般因受到水压影响而忽冷忽热，全自动操作，毋须打火开关，既安全又稳定。

水压稳定

不受任何高低水压限制，只要有冷水供应便可进行制热程序，杜绝一切因水压低而无法提供热水的情况。

安全可靠

由于是电源制热的关系，绝无气体泄漏危险。另外，每个热水器除设有地线防止漏电危险外，更特别配备「四重保险装置」，确保操作百分百安全可靠。

4-TIER SAFETY DEVICE

四重保险装置



1st Tier: Automatic Thermostatic Control

Temperature can be adjusted according to user's preference (max. $75\pm 3^{\circ}\text{C}$) with the French-made Thermostat. When the desired water temperature is reached, electricity would be cut off automatically; once the water temperature drops below the desired temperature, power will be connected again.

2nd Tier: Thermal Cut-Out

The built-in French-made Thermal Cut-Out is set at 82°C . If water temperature reaches 82°C , all power supply would be cut off automatically. Thermostat should then be checked up by an authorised technician to ensure safety.

3rd Tier: Safety Valve

Normal working pressure is set at 1MPa. Under unusual circumstances, the inner tank may be subjected to excess pressure. GPC can automatically release pressure through the built-in Safety Valve.

Note 1: Incoming pressure should not exceed 0.6MPa under normal working condition. Otherwise, separate pressure control device must be installed.

Note 2: Each inner tank has been subjected to a 1.2MPa pressure test prior to shipping.

4th Tier: Anti-Back Syphon Device

In order to prevent heated water from being syphoned back to water supply pipe during water shortage period, GPC's "Anti-Back Syphon Device" constantly keeps water tank fully filled. This can effectively protect inner tank from being damaged and the heating element from dry-heating.

第一重：自动恒温设备

使用者可随时因应个人习惯而调校法国制恒温掣温度(最高 $75\pm 3^{\circ}\text{C}$)。温度选定后，若温度达到预调之最高温，电源会立即自动被切断；相反，当水温低于预调温度，电源便会自动打开。

第二重：超温断路设备

GPC内设有法国制固定温度断路掣(最高温度为 82°C)。若水温达到 82°C 时，超温断路装置会立即将所有电源切断，以提醒使用者应找专业维修技师检查自动恒温器，确保安全。

第三重：安全阀

GPC炉胆加热后水压上限设定为 1MPa。在不正常情况下来水压力超越了指定压力时，安全阀随即自动打开阀门，将水排出。

注一：正常情况下，供水系统之来水水压不能超过 0.6MPa，否则用户须额外加装减压器。

注二：产品出厂前内胆测试压力为 1.2MPa。

第四重：防倒流装置

GPC电热水器设有「防倒流装置」，当遇到供水系统故障或无水供应情况时，「防倒流装置」能有效地防止炉胆内热水产生回抽作用(Back Syphon)，以免内胆结构受破坏，同时保证发热管不因缺水而干烧。

TOP QUALITY COMPONENTS

优质进口配件

顶级不锈钢内胆 Premium Stainless Steel Inner Tank



顶级耐腐蚀日本进口特殊不锈钢内胆，采用氩弧钨焊技术(TIG Welding Technology)，确保防锈、耐压，不受水质侵蚀。

Ultra-durable Japan-imported heavy gauge stainless steel inner tank assembled by TIG Welding Technology ensures an operation entirely free of rust, corrosion, leakage and deformity.

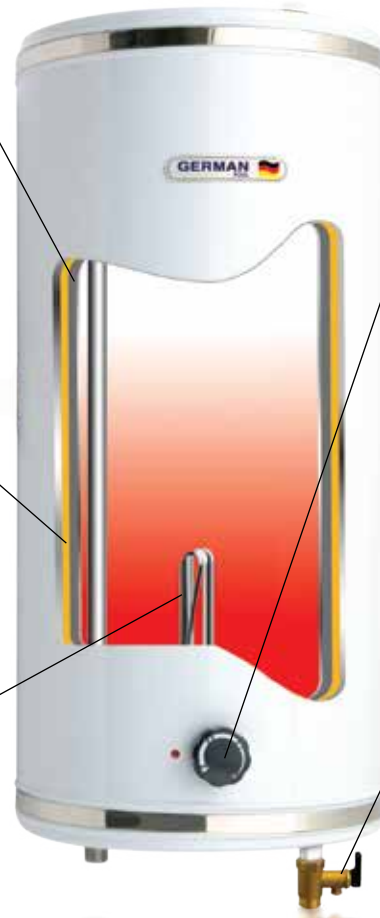
节能保温设计 Effective Insulation

完密喷注式保温层，使用先进合成树脂纤维材料，失温程度最低，保持热水温度，节省电能。

Optimal heat insulation is achieved by injected polyurethane foam.

高效发热管 Quality Heating Element

高质发热管，发挥最高导热效能。Quality heating element ensures maximum thermal efficiency.



2合1温度调节器及超温断路器 2-in-1 Thermostat and Thermal Cut-Out



法国制温度调节器自动恒温，有效保持水温在预设温度，节省能源及配合个人的使用热水习惯。超温断路器设定温度上限为82°C。崭新2合1设计更为简洁耐用。

French-made thermostat provides automatic temperature control at preset temperature to accommodate individual bathing habits and save energy. Thermal Cut-Out is set at a maximum temperature of 82°C. The advanced 2-in-1 design makes it more compact and durable.

安全阀及防倒流装置 Safety Valve and Anti-Back Syphon Device



内胆压力达到1MPa时，安全阀自动打开。当无水供应时，防倒流装置会控制热水器内的水不能排出。

When pressure in the inner tank exceeds 1 MPa, water will be released through the Safety Valve. With the Anti-Back Syphon Device, heated water is prevented from being syphoned back to supply pipe during water shortage period.



获取「中国能效标识」
Received
"China Energy Label"



每个热水器除设水线防止漏电外，更备「四重保险装置」，确保操作百分百安全可靠。

Each water heater is equipped with a built-in "4-Tier Safety Device" to ensure absolute safety and reliability.



全港首创十年内胆保用、一年电器零件保用证明及质量证明书，保证质量。

All water heaters come with a quality passport with 10-year warranty for the inner tank and 1-year warranty for electrical parts.



获取3C认证标志
Received
"China Compulsory Certificate" (CCC)

GPC-A1/3/4

China Market Only
中国市场专用

CYLINDRICAL VERTICAL TYPE WALL-MOUNT STYLE 垂直圆形挂墙式

Features 产品特点

- Japan imported premium stainless steel inner tank
- Quality heating element
- 2-in-1 thermostat and thermal cut-out made in France
- Inlet & outlet located at bottom of heater
- Flexible configurations to accommodate existing piping condition
- High thermal efficiency
- Capacity available: 15 - 100 Litre
- 日本进口顶级不锈钢内胆
- 高效发热管
- 法国制2合1温度调节及超温断路器
- 底部入出水设计
- 炉款及安装可配合楼宇冷热水水管位置，毋须改装现有喉位
- 垂直内胆设计，制热效能特强
- 容量选择：15 - 100公升

Style Code 款式编号	A1	A3	A4
Inlet Position 入水位置	Bottom 底	Right 右	Left 左
Outlet Position 出水位置	Bottom 底	Right 右	Left 左
Heating Element Position 发热线位置	Bottom 底	Bottom 底	Bottom 底

Sub-Model 副型号	Product Dimensions 机身尺寸 (mm)		Capacity 容量		Voltage / Power Supply 电压 / 电源	Certification / Standard 安全认证 / 国际标准
	Width 阔	Diameter 直径 Ø	Gallon 加仑	Litre 公升		
GPC-15	450	305	4	15	220 V (1 PE) / 380 V (3 PE)	Class 1
GPC-25	660	305	6.5	25		CCC, Class 1
GPC-40	700	356	10.5	40		
GPC-60	720	432	15.5	60		
GPC-80	880	432	21	80	380 V (3 PE)	N/A
GPC-100	1020	432	26	100		

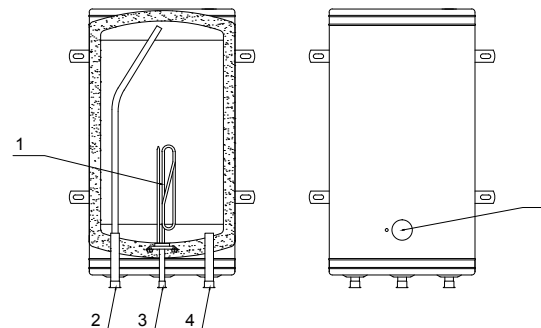
Specifications and designs are subject to change without prior notice. The appearance of the actual product shall prevail. If there are any inconsistencies or ambiguities between the English version and the Chinese version, the Chinese version shall prevail. Refer to www.germanpool.com for the most up-to-date version. 产品规格及设计如有变更，恕不另行通知。产品外观以实物为准。中英文版本如有出入，一概以中文版为准。最新版本以www.germanpool.com网上版为准。



Central Storage
中央系统
储水式

容量
Capacity
15 - 100
Litre 公升

Certification 认证



Product Structure

1. Heating Element
2. Outlet (Hot)
3. Drain
4. Inlet (Cold)
5. Thermostat

产品结构

1. 发热线
2. 出水管 (热)
3. 排水管
4. 入水管 (冷)
5. 恒温器

GPC-B2/4

China Market Only
中国市场专用

CYLINDRICAL HORIZONTAL TYPE WALL-MOUNT STYLE 横置圆形*挂墙式

Features 产品特点

- Japan imported premium stainless steel inner tank
- Quality heating element
- 2-in-1 thermostat and thermal cut-out made in France
- Configurable inlet & outlet positions
- Horizontal design can be mounted behind false ceiling
- Flexible configurations to accommodate existing piping condition
- Capacity available: 15 - 100 Litre
- 日本进口顶级不锈钢内胆
- 高效发热管
- 法国制2合1温度调节及超温断路器
- 备左、右或底部出入水设计
- 横挂外型方便隐藏于假天花内
- 可配合楼宇冷热水水管位置，毋须改装现有喉位
- 容量选择：15 - 100公升

*注：横置热水器之热水输出量比垂直热水器略少，顾客应考虑购买大一容量之型号。Note: Heating capacity of horizontal style would be slightly less than that of vertical style.

Style Code 款式编号	B2	B4
Inlet Position 入水位置	Bottom 底	Right 右
Outlet Position 出水位置	Bottom 底	Right 右
Heating Element Position 发热线位置	Right 右	Right 右

Sub-Model 副型号	Product Dimensions 机身尺寸 (mm)		Capacity 容量		Voltage / Power Supply 电压 / 电源	Certification / Standard 安全认证 / 国际标准
	Width 阔	Diameter 直径 Ø	Gallon 加仑	Litre 公升		
GPC-15	450	305	4	15	220 V (1 PE) / 380 V (3 PE)	CCC, Class 1
GPC-25	660	305	6.5	25		
GPC-40	700	356	10.5	40		
GPC-60	720	432	15.5	60		
GPC-80	880	432	21	80	380 V (3 PE)	N/A
GPC-100	1020	432	26	100		

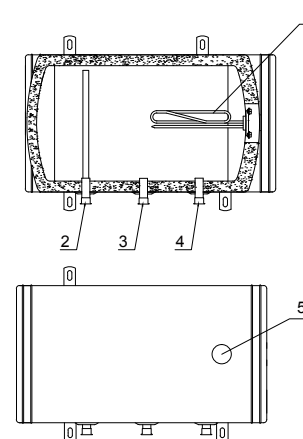
Specifications and designs are subject to change without prior notice. The appearance of the actual product shall prevail. If there are any inconsistencies or ambiguities between the English version and the Chinese version, the Chinese version shall prevail. Refer to www.germanpool.com for the most up-to-date version. 产品规格及设计如有变更，恕不另行通知。产品外观以实物为准。中英文版本如有出入，一概以中文版为准。最新版本以www.germanpool.com网上版为准。



Central Storage
中央系统
储水式

容量
Capacity
15 - 100
Litre 公升

Certification 认证



Product Structure

1. Heating Element
2. Outlet (Hot)
3. Drain
4. Inlet (Cold)
5. Thermostat

产品结构

1. 发热线
2. 出水管 (热)
3. 排水管
4. 入水管 (冷)
5. 恒温器

GPC-B1/6/7

China Market Only
中国市场专用

External Thermostat Box
外置电箱

CYLINDRICAL HORIZONTAL TYPE WALL-MOUNT STYLE 横置圆形*挂墙式

Features 产品特点

- External Thermostat Box
- Japan imported premium stainless steel inner tank
- Quality heating element
- 2-in-1 thermostat and thermal cut-out made in France
- Configurable inlet & outlet positions
- Horizontal design can be mounted behind false ceiling
- Flexible configurations to accommodate existing piping condition
- Capacity available: 15 - 100 Litre
- 外置电箱
- 日本进口顶级不锈钢内胆
- 高效发热管
- 法国制2合1温度调节及超温断路器
- 备左、右或底部出入水设计
- 横挂外型方便隐藏于假天花内
- 可配合楼宇冷热水水管位置，毋须改装现有喉位
- 容量选择：15 - 100公升

*注：横置热水器之热水输出量比垂直热水器略少，顾客应考虑购买大一级容量之型号。Note: Heating capacity of horizontal style would be slightly less than that of vertical style.

Style Code 款式编号	B1	B6	B7
Inlet Position 入水位置	Bottom 底	Top 顶	Top 顶
Outlet Position 出水位置	Bottom 底	Top 顶	Top 顶
Heating Element Position 发热线位置	Bottom 底	Bottom 底	Front 前

Sub-Model 副型号	Product Dimensions 机身尺寸 (mm)		Capacity 容量		Voltage / Power Supply 电压 / 电源	Certification / Standard 安全认证 / 国际标准
	Width 阔	Diameter 直径 Ø	Gallon 加仑	Litre 公升		
GPC-15	380	305	4	15	220 V (1 PE) / 380 V (3 PE)	Class 1
GPC-25	600	305	6.5	25		CCC, Class 1
GPC-40	650	356	10.5	40		
GPC-60	350	432	15.5	60		
GPC-80	820	432	21	80	380 V (3 PE)	N/A
GPC-100	980	432	26	100		

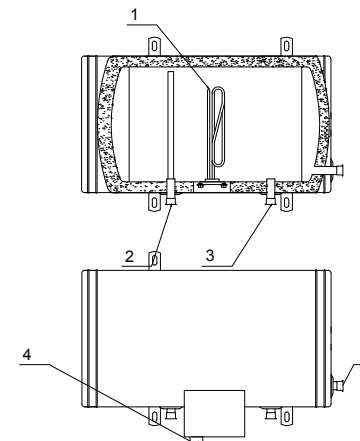
Specifications and designs are subject to change without prior notice. The appearance of the actual product shall prevail. If there are any inconsistencies or ambiguities between the English version and the Chinese version, the Chinese version shall prevail. Refer to www.germanpool.com for the most up-to-date version. 产品规格及设计如有变更，恕不另行通知。产品外观以实物为准。中英文版本如有出入，一概以中文版为准。最新版本以www.germanpool.com网上版为准。



Central Storage
中央系统
储水式

容量
Capacity
15 - 100
Litre 公升

Certification 认证



Product Structure

1. Heating Element
2. Outlet (Hot)
3. Inlet (Cold)
4. Thermostat
5. Drain

产品结构

1. 发热线
2. 出水管 (热)
3. 入水管 (冷)
4. 恒温器
5. 排水管

The above information and photos are for reference only.

GPC-C1/4/5

China Market Only
中国市场专用

External Thermostat Box
外置电箱

CYLINDRICAL VERTICAL TYPE FLOOR-MOUNT STYLE 垂直圆形座地式

Features 产品特点

- External Thermostat Box
- Japan imported premium stainless steel inner tank
- Quality heating element
- 2-in-1 thermostat and thermal cut-out made in France
- Multiple inlet & outlet configurations available to fit in almost any location. GPC-15 is suitable for under-sink or storage room/cabinet installation
- High thermal efficiency
- Capacity available: 15 - 1000 Litre
- 外置电箱
- 日本进口顶级不锈钢内胆
- 高效发热管
- 法国制2合1温度调节及超温断路器
- 多种出入水位置搭配选择，可按需要安装于不同环境，GPC-15适合收藏于洗手盆底或储物柜内
- 垂直内胆设计，制热效能特强
- 容量选择：15 - 1000公升

Style Code 款式编号	C1	C4	C5
Inlet Position 入水位置	Top 顶	Right 右	Left 左
Outlet Position 出水位置	Top 顶	Right 右	Left 左
Heating Element Position 发热线位置	Front 前	Front 前	Front 前

Sub-Model 副型号	Product Dimensions 机身尺寸 (mm)		Capacity 容量		Voltage / Power Supply 电压 / 电源	Certification / Standard 安全认证 / 国际标准
	Width 阔	Diameter 直径 Ø	Gallon 加仑	Litre 公升		
GPC-15	380	305	4	15	220 V (1 PE)	Class 1
GPC-25	600	305	6.5	25		
GPC-40	650	356	10.5	40		
GPC-60	350	432	15.5	60	380 V (3 PE)	CCC, Class 1
GPC-80	820	432	21	80		
GPC-100	980	432	26	100	380 V (3 PE)	N/A
GPC-120	850	508	31.5	120		
GPC-150	1030	508	39.5	150		
GPC-200	1040	560	52.5	200		
GPC-230	1230	560	60.5	230		
GPC-300	1180	660	79	300		
GPC-400	1460	660	105.5	400		
GPC-455	1360	785	120	455		
GPC-600	1550	785	158.5	600		
GPC-800	2040	785	211	800		
GPC-1000	2600	785	264	1000		

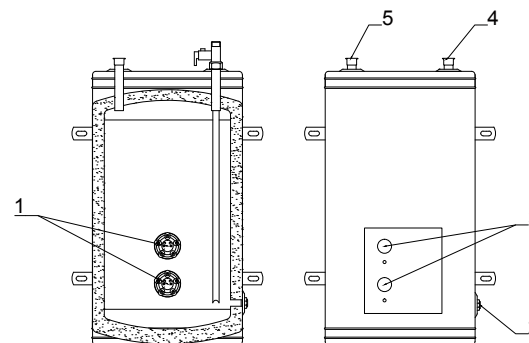
Specifications and designs are subject to change without prior notice. The appearance of the actual product shall prevail. If there are any inconsistencies or ambiguities between the English version and the Chinese version, the Chinese version shall prevail. Refer to www.germanpool.com for the most up-to-date version. 产品规格及设计如有变更，恕不另行通知。产品外观以实物为准。中英文版本如有出入，一概以中文版为准。最新版本以 www.germanpool.com 网上版为准。



Central Storage
中央系统
储水式

容量
Capacity
15 - 1000
Litre 公升

Certification 认证



Product Structure

1. Heating Element
2. Drain
3. Thermostat
4. Inlet (Cold)
5. Outlet (Hot)

产品结构

1. 发热线
2. 排水管
3. 恒温器
4. 入水管 (冷)
5. 出水管 (热)

GPC-D4-7/9

China Market Only
中国市场专用

CYLINDRICAL HORIZONTAL TYPE FLOOR-MOUNT STYLE 横置圆形*座地式

Features 产品特点

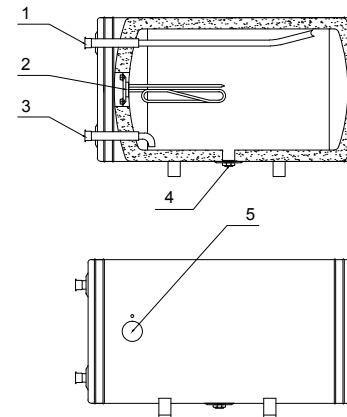
- Japan imported premium stainless steel inner tank
- Quality heating element
- 2-in-1 thermostat and thermal cut-out made in France
- Multiple inlet & outlet configurations available to fit in almost any location. GPC-15 is suitable for under-sink or storage room/cabinet installation
- High thermal efficiency
- Capacity available: 15 - 1000 Litre
- 日本进口顶级不锈钢内胆
- 高效发热管
- 法国制2合1温度调节及超温断路器
- 多种出入水位置配搭选择，可按需要安装于不同环境，GPC-15适合收藏于洗手盆底或储物柜内
- 垂直内胆设计，制热效能特强
- 容量选择：15 - 1000公升

Style Code 款式编号	D4	D5	D6	D7	D9
Inlet Position 入水位置	Right 右	Top 顶	Right 右	Left 左	Left 左
Outlet Position 出水位置	Top 顶	Top 顶	Top 顶	Left 左	Top 顶
Heating Element Position 发热线位置	Right 右	Left 左	Right 右	Left 左	Left 左

Sub-Model 副型号	Product Dimensions 机身尺寸 (mm)		Capacity 容量		Voltage / Power Supply 电压 / 电源	Certification / Standard 安全认证 / 国际标准
	Width 阔	Diameter 直径 Ø	Gallon 加仑	Litre 公升		
GPC-15	450	305	4	15	220 V (1 PE) / 380 V (3 PE)	Class 1
GPC-25	660	305	6.5	25		CCC, Class 1
GPC-40	700	356	10.5	40		
GPC-60	720	432	15.5	60	380 V (3 PE)	N/A
GPC-80	880	432	21	80		
GPC-100	1050	432	26	100		
GPC-120	920	508	31.5	120		
GPC-150	1100	508	39.5	150		
GPC-200	1110	560	52.5	200		
GPC-230	1300	560	60.5	230		
GPC-300	1250	660	79	300		
GPC-400	1530	660	105.5	400		
GPC-455	1430	785	120	455		
GPC-600	1620	785	158.5	600		
GPC-800	2110	785	211	800		
GPC-1000	2670	785	264	1000		

Specifications and designs are subject to change without prior notice. The appearance of the actual product shall prevail. If there are any inconsistencies or ambiguities between the English version and the Chinese version, the Chinese version shall prevail. Refer to www.germanpool.com for the most up-to-date version. 产品规格及设计如有变更，恕不另行通知。产品外观以实物为准。中英文版本如有出入，一概以中文版为准。最新版本以www.germanpool.com网上版为准。

*注：横置热水器之热水输出量比垂直热水器略少，顾客应考虑购买大一级容量之型号。Note: Heating capacity of horizontal style would be slightly less than that of vertical style.



Product Structure

1. Outlet (Hot)
2. Drain
3. Inlet (Cold)
4. Heating Element
5. Thermostat
6. Thermostat

产品结构

1. 出水管 (热)
2. 排水管
3. 入水管 (冷)
4. 发热线
5. 恒温器
6. 恒温器

The above information and photos are for reference only.

Central Storage
中央系统
储水式

容量
Capacity
15 - 1000
Litre 公升

Certification 认证



GPC-D1-3/8

China Market Only
中国市场专用

External Thermostat Box
外置电箱

CYLINDRICAL HORIZONTAL TYPE FLOOR-MOUNT STYLE 横置圆形*座地式

Features 产品特点

- External Thermostat Box
- Japan imported premium stainless steel inner tank
- Quality heating element
- 2-in-1 thermostat and thermal cut-out made in France
- Multiple inlet & outlet configurations available to fit in almost any location. GPC-15 is suitable for under-sink or storage room/cabinet installation
- High thermal efficiency
- Capacity available: 15 - 1000 Litre
- 外置电箱
- 日本进口顶级不锈钢内胆
- 高效发热管
- 法国制2合1温度调节及超温断路器
- 多种出入水位置搭配选择，可按需要安装于不同环境，GPC-15适合收藏于洗手盆底或储物柜内
- 垂直内胆设计，制热效能特强
- 容量选择：15 - 1000公升

*注：横置热水器之热水输出量比垂直热水器略少，顾客应考虑购买大一容量之型号。Note: Heating capacity of horizontal style would be slightly less than that of vertical style.

Style Code 款式编号	D1	D2	D3	D8
Inlet Position 入水位置	Top 顶	Right 右	Right 右	Left 左
Outlet Position 出水位置	Top 顶	Left 左	Right 右	Left 左
Heating Element Position 发热线位置	Front 前	Front 前	Front 前	Front 前

Sub-Model 副型号	Product Dimensions 机身尺寸 (mm)		Capacity 容量		Voltage / Power Supply 电压 / 电源	Certification / Standard 安全认证 / 国际标准
	Width 阔	Diameter 直径 Ø	Gallon 加仑	Litre 公升		
GPC-15	380	305	4	15	220 V (1 PE) 380 V (3 PE)	Class 1 CCC, Class 1
GPC-25	600	305	6.5	25		
GPC-40	650	356	10.5	40		
GPC-60	350	432	15.5	60	380 V (3 PE)	N/A
GPC-80	820	432	21	80		
GPC-100	980	432	26	100		
GPC-120	850	508	31.5	120		
GPC-150	1030	508	39.5	150		
GPC-200	1040	560	52.5	200		
GPC-230	1230	560	60.5	230		
GPC-300	1180	660	79	300		
GPC-400	1460	660	105.5	400		
GPC-455	1360	785	120	455		
GPC-600	1550	785	158.5	600		
GPC-800	2040	785	211	800		
GPC-1000	2600	785	264	1000		

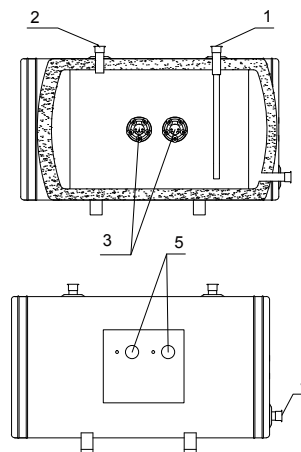
Specifications and designs are subject to change without prior notice. The appearance of the actual product shall prevail. If there are any inconsistencies or ambiguities between the English version and the Chinese version, the Chinese version shall prevail. Refer to www.germanpool.com for the most up-to-date version. 产品规格及设计如有变更，恕不另行通知。产品外观以实物为准。中英文版本如有出入，一概以中文版为准。最新版本以 www.germanpool.com 网上版为准。

Product Structure

1. Inlet (Cold)
2. Outlet (Hot)
3. Heating Element
4. Drain
5. Thermostat

产品结构

1. 入水管 (冷)
2. 出水管 (热)
3. 发热线
4. 排水管
5. 恒温器



Central Storage
中央系統
儲水式

容量
Capacity
15 - 1000
Litre 公升

Certification 认证



GPC-V

China Market Only
中国市场专用

RECTANGULAR VERTICAL TYPE FLOOR-MOUNT STYLE 垂直方形座地式

Features 产品特点

- Japan imported premium stainless steel inner tank
- Quality heating element
- Multiple inlet & outlet configurations available to fit in almost any location.
- High thermal efficiency
- 3-phase full electronic power operation
- Capacity available: 1,000 - 6,000 Litre
- 日本进口顶级不锈钢内胆
- 高效发热管
- 多种出入水位置配搭选择，可按需要安装于不同环境
- 垂直内胆设计，制热效能特强
- 只适用于三相电源
- 容量选择：1,000 - 6,000公升

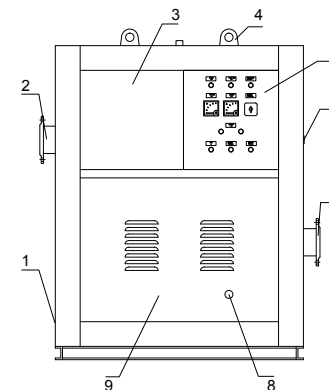
Sub-Model 副型号	Product Dimensions 机身尺寸 (mm)	Capacity 容量	Voltage / Electric Power (kW) 电压 / 功率
	H x W x D 高x阔x深	Litre 公升	
GPC-1000V	1720 1200 1300	1000	380 V (3 PE)
GPC-1500V	1810 1400 1600	1500	
GPC-2000V	2250 1400 1600	2000	
GPC-2500V	2160 1600 1800	2500	
GPC-3000V	2490 1600 1800	3000	
GPC-4000V	2830 1700 1900	4000	
GPC-5000V	3380 1700 1900	5000	
GPC-6000V	3950 1700 1900	6000	

Specifications and designs are subject to change without prior notice. The appearance of the actual product shall prevail. If there are any inconsistencies or ambiguities between the English version and the Chinese version, the Chinese version shall prevail. Refer to www.germanpool.com for the most up-to-date version. 产品规格及设计如有变更，恕不另行通知。产品外观以实物为准。中英文版本如有出入，一概以中文版为准。最新版本以www.germanpool.com网上版为准。



Central
Storage
中央系统
储水式

容量
Capacity
1,000 - 6,000
Litre 公升



Product Structure

1. Power Cable
2. Outlet (Hot)
3. Thermostat Box
4. Lug Hook
5. Control Panel
6. Pressure & Temperature Relief Valve (PTV)
7. Inlet (Cold)
8. Drain
9. Thermostat Box

产品结构

1. 电源线
2. 出水位 (热)
3. 电箱
4. 吊耳
5. 控制面板
6. 超温及超压排放阀
7. 入水位 (冷)
8. 排水管
9. 电箱

GPC-H

China Market Only
中国市场专用

RECTANGULAR HORIZONTAL TYPE FLOOR-MOUNT STYLE

横置方形*座地式

Features 产品特点

- Japan imported premium stainless steel inner tank
- Quality heating element
- Flexible configurations to accommodate existing piping condition
- Configurable thermostat positions; can be installed in any environment.
- 3-phase full electronic power operation
- Capacity available: 1,000 - 6,000 Litre
- 日本进口顶级不锈钢内胆
- 高效发热管
- 可配合楼宇冷热水水喉位置选择顶部或左右出入水，毋须改装现有喉位
- 多种发热线位置配搭选择，可按需要安装于不同环境
- 只适用于三相电源
- 容量选择：1,000 - 6,000公升

Sub-Model 副型号	Product Dimensions 机身尺寸 (mm)	Capacity 容量	Voltage / Electric Power (kW) 电压 / 功率
	H x W x D 高x阔x深	Litre 公升	
GPC-1000H	1320 1520 1300	1000	380 V (3 PE)
GPC-1500H	1320 2200 1300	1500	
GPC-2000H	1520 2090 1500	2000	
GPC-2500H	1520 2530 1500	2500	
GPC-3000H	1720 2310 1700	3000	
GPC-4000H	1820 2650 1800	4000	
GPC-5000H	1820 3200 1800	5000	
GPC-6000H	1820 3770 1800	6000	

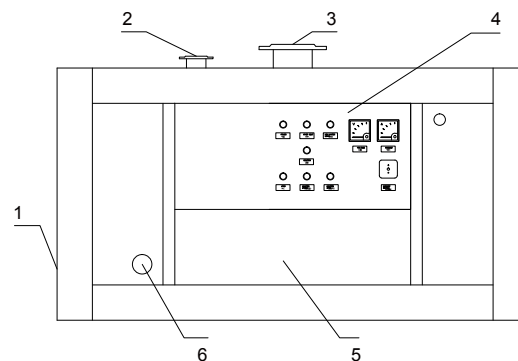
Specifications and designs are subject to change without prior notice. The appearance of the actual product shall prevail. If there are any inconsistencies or ambiguities between the English version and the Chinese version, the Chinese version shall prevail. Refer to www.germanpool.com for the most up-to-date version. 产品规格及设计如有变更，恕不另行通知。产品外观以实物为准。中英文版本如有出入，一概以中文版为准。最新版本以www.germanpool.com网上版为准。

*注：横置热水器之热水输出量比垂直热水器略少，顾客应考虑购买大一级容量之型号。Note: Heating capacity of horizontal style would be slightly less than that of vertical style.



Central
Storage
中央系统
储水式

容量
Capacity
1,000 - 6,000
Litre 公升



Product Structure

1. Power Cable
2. Pressure & Temperature Relief Valve (PTV)
3. Inlet (Cold)
4. Control Panel
5. Thermostat Box
6. Drain

产品结构

1. 电源线
2. 出水位 (热)
3. 入水位 (冷)
4. 控制面板
5. 电箱
6. 排水管

GERMAN
POOL



China Market Only
中国市场专用

ELECTRIC CENTRAL HEATING SYSTEM

中央电锅炉采暖系统

HORIZONTAL TYPE CENTRAL HEATER 横挂墙式采暖器

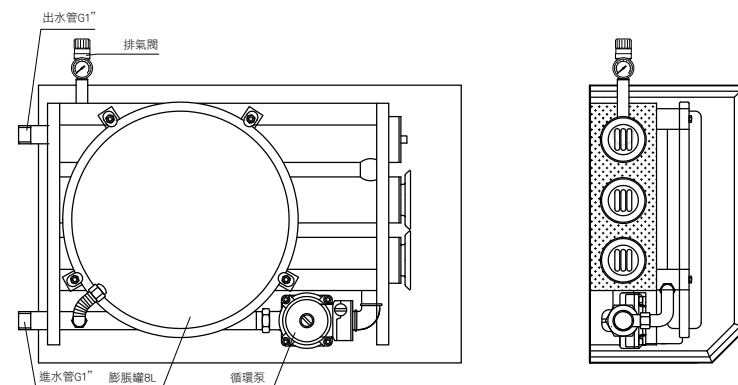
Features 产品特点

- Thermostat automatically controls water temperature
- Safety thermal cut-out
- Closed heating system consisting of main heating unit, expansion tank and power cycle system
- Indoor thermostat controls circulating water pump to regulate indoor temperature
- Built-in circulating water pump and expansion tank
- Equipped with vent valve, safety valve and pressure gauge
- Optional automatic water inlet valve
- 温控器自动控制水温
- 超温断路保护装置
- 采暖器主机加热系统与膨胀罐、循环动力系统组成闭合采暖系统
- 室内温控器控制循环水泵工作以自动调节室温
- 内置循环水泵和膨胀罐
- 配有排气阀、安全阀、压力表
- 选配自动给水阀

Model 型号	SHA-10/4	SHA-10/8	SH-10/12	SH-10/24	SH-10/36
Capacity (Litre) 容量 (公升)	10 L				
Voltage 电压	220 V		380 V		
Electric Power 功率	4 kW	8 kW	12 kW	24 kW	36 kW
Electrical Current 电流	18 A	36 A	18 A	36 A	55 A
Control Method 控制方式	Mechanical Control 机械控制				
Product Dimensions (mm) 机身尺寸 (毫米)	W 700 D 260 H 480				
Power Cable Size (mm ²) 电源线线径 (平方毫米)	4	10	4	10	16
Circulating Pipe (inch) 循环水管 (英寸)	1"				
Heating Area (m ²) 采暖面积 (平方米)	30	60	100	200	300

Specifications and designs are subject to change without prior notice. The appearance of the actual product shall prevail. If there are any inconsistencies or ambiguities between the English version and the Chinese version, the Chinese version shall prevail. Refer to www.germanpool.com for the most up-to-date version. 产品规格及设计如有变更，恕不另行通知。产品外观以实物为准。中英文版本如有出入，一概以中文版为准。最新版本以www.germanpool.com网上版为准。

Product Structure 产品结构



Central Heating
中央电焗
炉采暖

容量
Capacity
10
Litre 公升

Home Heating
家用采暖

Commercial Heating
商用采暖

VERTICAL TYPE CENTRAL HEATER 直挂墙式采暖器

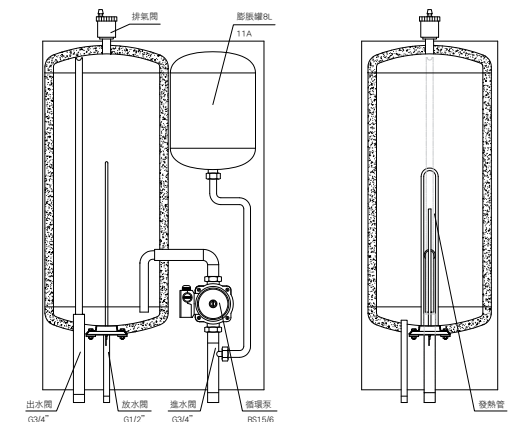
Features 产品特点

- Thermostat automatically controls water temperature
- Safety thermal cut-out
- Closed heating system consisting of main heating unit, expansion tank and power cycle system
- Indoor thermostat controls circulating water pump to regulate indoor temperature
- Built-in circulating water pump and expansion tank
- Equipped with vent valve, safety valve and pressure gauge
- Optional automatic water inlet valve
- 温控器自动控制水温
- 超温断路保护装置
- 采暖器主机加热系统与膨胀罐、循环动力系统组成闭合采暖系统
- 室内温控器控制循环水泵工作以自动调节室温
- 内置循环水泵和膨胀罐
- 配有排气阀、安全阀、压力表
- 选配自动给水阀

Model 型号	SV-30/12	SV-50/18	SV-30/24	SV-60/27	SV-60/36
Capacity (Litre) 容量 (公升)	30 L			60 L	
Voltage 电压	380 V				
Electric Power 功率	12 kW	18 kW	24 kW	27 kW	36 kW
Electrical Current 电流	18 A	27 A	36 A	41 A	55 A
Control Method 控制方式	Mechanical Control 机械控制				
Product Dimensions (mm) 机身尺寸 (毫米)	W 520 D 320 H 820	W 560 D 360 H 820	W 600 D 400 H 880		
Power Cable Size (mm ²) 电源线线径 (平方毫米)	4	6	10	16	
Circulating Pipe (inch) 循环水管 (英寸)	1"				
Heating Area (m ²) 采暖面积 (平方米)	100	150	200	220	300

Specifications and designs are subject to change without prior notice. The appearance of the actual product shall prevail. If there are any inconsistencies or ambiguities between the English version and the Chinese version, the Chinese version shall prevail. Refer to www.germanpool.com for the most up-to-date version. 产品规格及设计如有变更，恕不另行通知。产品外观以实物为准。中英文版本如有出入，一概以中文版为准。最新版本以www.germanpool.com网上版为准。

Product Structure 产品结构



The above information and photos are for reference only.



Central Heating
中央电锅炉采暖

容量
Capacity
30 - 60
Litre 公升

Home Heating
家用采暖

Commercial Heating
商用采暖

SVO

China Market Only
中国市场专用
Dual-Purpose
两用型

VERTICAL TYPE CENTRAL HEATER 直挂墙式采暖器

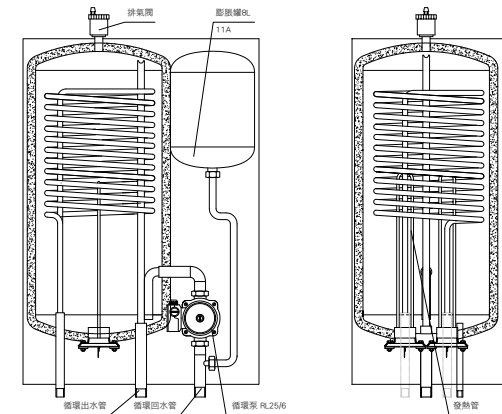
Features 产品特点

- Thermostat automatically controls water temperature
- Safety thermal cut-out
- Closed heating system consisting of main heating unit, expansion tank and power cycle system
- Indoor thermostat controls circulating water pump to regulate indoor temperature
- Domestic hot water through coil heat exchanger
- Internal circulating water pump, expansion tank and coil heat exchanger
- Equipped with vent valve, safety valve and pressure gauge
- Automatic water inlet valve (optional)
- 温控器自动控制水温
- 超温断路器保护装置
- 采暖器主机加热系统与膨胀罐、循环动力系统组成闭合采暖系统
- 室内温控器控制循环水泵工作以自动调节室温
- 通过换热盘管提供生活用热水
- 内置循环水泵、膨胀罐及换热盘管
- 配有排气阀、安全阀、压力表
- 选配自动给水阀

Model 型号	SVO-60/18	SVO-60/24	SVO-60/36
Capacity (Litre) 容量 (公升)	60 L		
Voltage 电压	380 V		
Electric Power 功率	18 kW	24 kW	36 kW
Electrical Current 电流	27 A	36 A	55 A
Control Method 控制方式	Mechanical Control 机械控制		
Product Dimensions (mm) 机身尺寸 (毫米)	W 600 D 400 H 880		
Power Cable Size (mm ²) 电源线线径 (平方毫米)	6	10	16
Circulating Pipe (inch) 循环水管 (英寸)	1"		
Heating Area (m ²) 采暖面积 (平方米)	150	200	300

Specifications and designs are subject to change without prior notice. The appearance of the actual product shall prevail. If there are any inconsistencies or ambiguities between the English version and the Chinese version, the Chinese version shall prevail. Refer to www.germanpool.com for the most up-to-date version. 产品规格及设计如有变更，恕不另行通知。产品外观以实物为准。中英文版本如有出入，一概以中文版为准。最新版本以www.germanpool.com网上版为准。

Product Structure 产品结构



Central Heating
中央电焗炉采暖

容量
Capacity
60
Litre 公升

Home Heating
家用采暖

Commercial Heating
商用采暖

Home Hot Water
家用热水

Commercial Hot Water
商用热水

SV/E China Market Only 中国市场专用

VERTICAL TYPE CENTRAL HEATER 直挂墙式采暖器

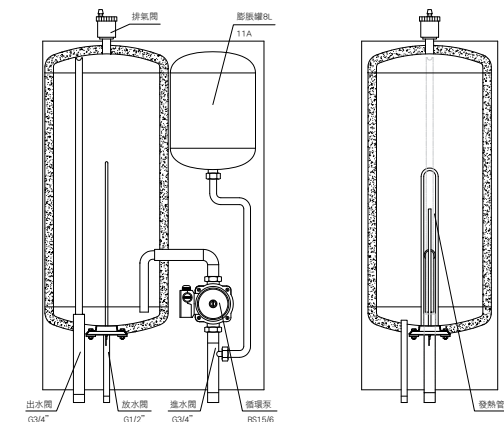
Features 产品特点

- Electronically controlled with LCD display
- Closed heating system formed by main heating system, expansion tank and power cycle system
- 2 Heat time settings
- Indoor thermostat controls circulating water pump to regulate indoor temperature
- Anti-dry and anti-freeze protection
- Internal water pump and expansion tank
- Equipped with vent valve, safety valve and pressure gauge
- Automatic water inlet valve (optional)
- 电子自动控制，LCD液晶显示
- 采暖器主机加热系统与膨胀罐、循环动力系统组成闭合采暖系统
- 两段定时加热设置
- 室内温控器控制循环水泵工作以自动调节室温
- 防干烧、防冻保护
- 内置水泵和膨胀罐
- 配有排气阀、安全阀、压力表
- 选配自动给水阀

Model 型号	SV-30/9E	SV-30/12E	SV-60/24E	SV-60/27E	SV-60/36E
Capacity (Litre) 容量 (公升)	30 L		60 L		
Voltage 电压	380 V				
Electric Power 功率	9 kW	12 kW	24 kW	27 kW	36 kW
Electrical Current 电流	14 A	18 A	36 A	41 A	55 A
Control Method 控制方式	Electronic Control 电子控制				
Product Dimensions (mm) 机身尺寸 (毫米)	W 520 D 320 H 820		W 600 D 400 H 880		
Power Cable Size (mm ²) 电源线线径 (平方毫米)	4		10		16
Circulating Pipe (inch) 循环水管 (英寸)	3/4"		1"		
Heating Area (m ²) 采暖面积 (平方米)	70	100	200	220	300

Specifications and designs are subject to change without prior notice. The appearance of the actual product shall prevail. If there are any inconsistencies or ambiguities between the English version and the Chinese version, the Chinese version shall prevail. Refer to www.germanpool.com for the most up-to-date version. 产品规格及设计如有变更，恕不另行通知。产品外观以实物为准。中英文版本如有出入，一概以中文版为准。最新版本以www.germanpool.com网上版为准。

Product Structure 产品结构



The above information and photos are for reference only.



Central Heating
中央电锅炉采暖

容量
Capacity
30 - 60
Litre 公升

Home Heating
家用采暖

Commercial Heating
商用采暖

SFN

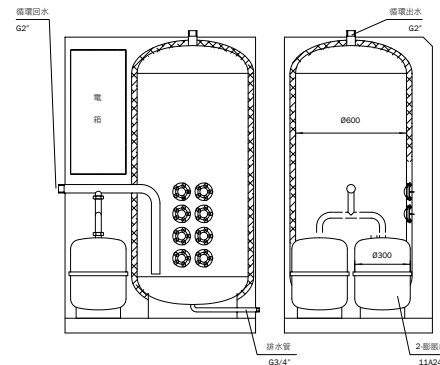
China Market Only
中国市场专用

FLOOR TYPE CENTRAL HEATER 座地式采暖器

Features 产品特点

- Thermostat automatically controls water temperature
- Safety thermal cut-out
- Closed heating system consisting of main heating unit, expansion tank and power cycle system
- Indoor thermostat controls circulating water pump to regulate indoor temperature
- Internal and external water pump and expansion tank
- Equipped with vent valve, safety valve and pressure gauge
- Automatic water inlet valve (optional)
- 温控器自动控制水温
- 超温断路器保护装置
- 采暖器主机加热系统与膨胀罐、循环动力系统组成闭合采暖系统
- 室内温控器控制循环水泵工作以自动调节室温
- 内外置水泵、膨胀罐
- 配有排气阀、安全阀、压力表
- 选配自动给水阀

Product Structure 产品结构



Model 型号	SFN-120/24	SFN-120/36	SFN-120/48	SFN-200/60	SFN-200/72
Capacity 容量 (Litre/公升)	120 L			200 L	
Voltage 电压	380 V				
Electric Power 功率	24 kW	36 kW	48 kW	60 kW	72 kW
Electrical Current 电流	36 A	55 A	73 A	91 A	109 A
Control Method 控制方式	Mechanical Control 机械控制				
Product Dimensions (mm) 机身尺寸 (毫米)	W 800, D 600, H 1020			W 900, D 660, H 1300	
Power Cable Size (mm ²) 电源线线径 (平方毫米)	10	16	25	35	50
Circulating Pipe (inch) 循环水管 (英寸)	1½"				
Heating Area (m ²) 采暖面积 (平方米)	200	300	400	500	600

Model 型号	SFN-300/84P	SFN-300/96P	SFN-400/108P	SFN-400/120P	SFN-400/132P
Capacity 容量 (Litre/公升)	300 L			400 L	
Voltage 电压	380 V				
Electric Power 功率	84 kW	96 kW	108 kW	120 kW	132 kW
Electrical Current 电流	128 A	146 A	164 A	182 A	201 A
Control Method 控制方式	Mechanical Control 机械控制				
Product Dimensions (mm) 机身尺寸 (毫米)	W1000, D800, H1320		W 1000, D 800, H 1600		
Power Cable Size (mm ²) 电源线线径 (平方毫米)	70		95	120	
Circulating Pipe (inch) 循环水管 (英寸)	2"				
Heating Area (m ²) 采暖面积 (平方米)	700	800	900	1000	1100

Model 型号	SFN-400/144P	SFN-600/168P	SFN-600/180P	SFN-600/192P	SFN-600/204P
Capacity 容量 (Litre/公升)	400 L	600 L			
Voltage 电压	380 V				
Electric Power 功率	144 kW	168 kW	180 kW	192 kW	204 kW
Electrical Current 电流	219 A	255 A	273 A	292 A	310 A
Control Method 控制方式	Mechanical Control 机械控制				
Product Dimensions (mm) 机身尺寸 (毫米)	W 1000 D 800 H 1600	W 1100, D 900, H 1860			
Power Cable Size (mm ²) 电源线线径 (平方毫米)	150	185	240		
Circulating Pipe (inch) 循环水管 (英寸)	2"				
Heating Area (m ²) 采暖面积 (平方米)	1200	1400	1500	1600	1700

Specifications and designs are subject to change without prior notice. The appearance of the actual product shall prevail. If there are any inconsistencies or ambiguities between the English version and the Chinese version, the Chinese version shall prevail. Refer to www.germanpool.com for the most up-to-date version. 产品规格及设计如有变更，恕不另行通知。产品外观以实物为准。中英文版本如有出入，一概以中文版为准。最新版本以www.germanpool.com网上版为准。



GPN SERIES SHOWER UNIT ELECTRIC WATER HEATER 花洒储水式电热水器系列

Type 类形	Standard 标准型			Superior 优雅型		Deluxe 豪华型			
Product Image 产品图片									
Model 型号	GPN-2TL	GPN-4TD	GPN-6TD	GPN-4TM	GPN-6TM	GPN-4TMS	GPN-6TMS	GPNB-5	GPNB-5C
Voltage / Frequency 电压 / 频率	220 V / 50 Hz								
Electric Power (kW) 功率	2, 3 kW	2, 3, 4 kW	2, 3, 4 kW	2, 3, 4 kW	2, 3, 4 kW	2, 3, 4 kW	2, 3, 4 kW	2, 3, 4 kW	2, 3, 4 kW
Product Dimensions (mm) 机身尺寸(毫米)	H)425 (W)290 (D)200	H)470 (W)330 (D)241	H)650 (W)330 (D)241	H)470 (W)330 (D)241	H)650 (W)330 (D)241	H)470 (W)330 (D)241	H)650 (W)330 (D)241	H)560 (W)330 (D)250	H)560 (W)330 (D)250
Capacity 容量	2 gal / 7.6 L	4 gal / 15 L	6 gal / 23 L	4 gal / 15 L	6 gal / 23 L	4 gal / 15 L	6 gal / 23 L	5 gal / 18 L	5 gal / 18 L
Net Weight 净重	7.1 kg	10.0 kg	12.0 kg	10.0 kg	12.0 kg	10.0 kg	12.0 kg	11.1 kg	11.0 kg
Net Weight: Full Tank 注水后重量	14.44 kg	24.44 kg	35.14 kg	24.44 kg	35.40 kg	25.08 kg	35.78 kg	28.84 kg	28.64 kg
Working Pressure 正常水压	0 kPa								
Testing Pressure 测试水压	500 kPa								
Water Resistance 防水等级	IPX4								
Thermometer 温度显示器	Optional 可供选配	Optional 可供选配	Optional 可供选配	Optional 可供选配	Optional 可供选配	Included 已选配	Included 已选配	Included 已选配	Included 已选配
Standard Device 标准装置	Single Lever Mixer 单控式混合龙头	Single Lever Mixer 单控式混合龙头	Single Lever Mixer 单控式混合龙头	Single Lever Mixer 单控式混合龙头	Single Lever Mixer 单控式混合龙头	Single Lever Mixer 单控式混合龙头	Single Lever Mixer 单控式混合龙头	Built-in Water Mixer 内置单控式混合龙头	Built-in Water Mixer 内置单控式混合龙头
	Swivel Outlet 摇摆式出水口	Plug-In Type Shower Head 插座式花洒头	Plug-In Type Shower Head 插座式花洒头	Slide Bar Type Shower Head 直柱式花洒头	Slide Bar Type Shower Head 直柱式花洒头	Slide Bar Type Shower Head 直柱式花洒头	Slide Bar Type Shower Head 直柱式花洒头	Plug-In Type Shower Head 插座式花洒头	Plug-In Type Shower Head 插座式花洒头
Changeable Device 可更换装置		Slide Bar Type Shower Head 直柱式花洒头	Slide Bar Type Shower Head 直柱式花洒头	Plug-In Type Shower Head 插座式花洒头	Plug-In Type Shower Head 插座式花洒头	Plug-In Type Shower Head 插座式花洒头	Plug-In Type Shower Head 插座式花洒头	Slide Bar Type Shower Head 直柱式花洒头	Slide Bar Type Shower Head 直柱式花洒头
		Swivel Outlet 摇摆式出水口	Swivel Outlet 摇摆式出水口	Swivel Outlet 摇摆式出水口	Swivel Outlet 摇摆式出水口	Swivel Outlet 摇摆式出水口	Swivel Outlet 摇摆式出水口		

Specifications and designs are subject to change without prior notice. The appearance of the actual product shall prevail. If there are any inconsistencies or ambiguities between the English version and the Chinese version, the Chinese version shall prevail. Refer to www.germanpool.com for the most up-to-date version.
 Installation Notice: All instantaneous electric water heaters (IWH) must be installed by qualified technicians only, who will assume responsibility for the entire heater installation. Respective installation manuals of each individual heater must be strictly observed without compromises. Local Safety Regulations must also be observed - this is the sole responsibility of the executing technician.

* Note: Heating capacity of horizontal style would be slightly less than that of vertical style.

GPU SERIES CENTRAL STORAGE ELECTRIC WATER HEATER 中央系统储水式电热水器系列

Mount Style 安装方式		Wall-Mount Style 挂墙式								Floor-Mount Style 座地型									
Type 外形		Cylindrical Vertical 垂直圆形		Rectangular Vertical 垂直方形	Simline Vertical 垂直超薄	Cylindrical Horizontal 横置圆形		Cylindrical Vertical 垂直圆形			Cylindrical Horizontal 横置圆形								
Product Image 产品图片																			
Style Code 款式编号		GB	GF	GB	G2	J7	J8	JB	JF	HF	H3	H4	H5	H6	K3	K4	KF	K5	K6
Inlet Position 入水位置		B	B	B	B	L	R	B	B	T	L	R	R	L	L	R	T	L	R
Outlet Position 出水位置		B	B	B	B	L	R	B	B	T	L	R	T	T	L	R	T	L	R
Heating Element Position 发热线位置		B	F	B	B	L	R	B	F	F	F	F	F	F	L	R	F	F	F

Sub-Model 副型号	Capacity 容量		Voltage (V) 电压		Electric Power (kW) 功率		Weight (KG) 参考重量		Product Dimensions (mm) 机身尺寸(毫米)															
	G 加仑	L 公升	1-Phase 单相	3-Phase 三相	1-Phase 单相	3-Phase 三相	Net Weight 净重	Filled 满水	High 高	Diameter Ø 直径	High 高	Diameter Ø 直径	High 高	Width 阔	Depth 深	High 高	Width 阔	Depth 深	Width 阔	Diameter Ø 直径	Width 阔	Diameter Ø 直径	Width 阔	Diameter Ø 直径
GPU-3.5	3.5	15	220	-	2	-	9	20	450	305	380	305	450	305	305	-	-	-	450	305	380	305	380	305
GPU-6.5	6.5	25	220	-	3, 4	-	13	34.5	660	305	600	305	660	305	305	-	-	-	660	305	600	305	660	305
GPU-8SL	8	30	220	-	3, 4	-	18	46	-	-	-	-	-	-	-	700	420	210	-	-	-	-	-	-
GPU-10	10	40	220	380	3, 4	6	19	51.8	700	356	650	356	700	356	356	-	-	-	700	356	650	356	700	356
GPU-15	15	60	220	380	3, 4	6, 9	24	75.5	720	432	650	432	720	432	432	-	-	-	720	432	650	432	720	432
GPU-20	20	80	220	380	3, 4	6, 9	28	98	880	432	820	432	-	-	-	-	-	-	880	432	820	432	880	432
GPU-25	25	100	220	380	3, 4	6, 9	32	120.5	1050	432	980	432	-	-	-	-	-	-	1050	432	980	432	1050	432
GPU-30	30	120	220	380	3, 4	6, 9, 12, 18	40	145	-	-	-	-	-	-	-	-	-	-	-	-	-	-	-	-
GPU-40	40	150	220	380	3, 4	6, 9, 12, 18	47	190	-	-	-	-	-	-	-	-	-	-	-	-	-	-	-	-
GPU-50	50	200	220	380	3, 4	6, 9, 12, 18, 24, 27, 36	58	235.5	-	-	-	-	-	-	-	-	-	-	-	-	-	-	-	-
GPU-60	60	230	220	380	3, 4	6, 9, 12, 18, 24, 27, 36	65	275	-	-	-	-	-	-	-	-	-	-	-	-	-	-	-	-
GPU-80	80	300	-	380	-	6, 9, 12, 18, 24, 27, 36, 48	88	302.8	-	-	-	-	-	-	-	-	-	-	-	-	-	-	-	-
GPU-100	100	400	-	380	-	6, 9, 12, 18, 24, 27, 36, 48, 60	100	454.6	-	-	-	-	-	-	-	-	-	-	-	-	-	-	-	-
GPU-150	150	600	-	380	-	6, 9, 12, 18, 24, 27, 30, 36, 48, 60, 72	130	662	-	-	-	-	-	-	-	-	-	-	-	-	-	-	-	-
GPU-200	200	800	-	380	-	6, 9, 12, 18, 24, 27, 30, 36, 42, 45, 48, 60, 72, 84	165	877	-	-	-	-	-	-	-	-	-	-	-	-	-	-	-	-

产品规格及设计如有变更，恕不另行通知。产品外观以实物为准。中英文版本如有出入，一概以中文版为准。最新版本以www.germanpool.com网上版为准。
 安装注意事项：所有即热式电热水器(热水器)必须由经认可的专业人员安装；整个安装工程必须由这名人全权负责。每部热水器安装手册内的指示必须严格遵守。电工必须遵守适用标准和安装规定，并确保安装符合当地所有相关法规、供电和供水公司规定及安全规则。

*注：横置热水器之热水输出量比垂直热水器略少，顾客应考虑购买大一级容量之型号。

GPS SERIES INSTANTANEOUS GAS WATER HEATER 超薄数码恒温气体热水器系列

Product Image 产品图片												
Model 型号	Top Flue 顶排	GPS12-TG-U	GPS12-LG-U	GPS12-NG-U/W	GPS212-LG-U	GPS212-TG-U	GPS13-TG-U	GPS13-LG-U	GPS13-NG-U/W	GPS16-LG-U	GPS16-TG-U	
	Back Flue 背排	GPS12-TG-B	GPS12-LG-B	GPS12-NG-B/W	GPS212-LG-B	GPS212-TG-B	GPS13-TG-B	GPS13-LG-B	GPS13-NG-B/W	GPS16-LG-B	GPS16-TG-B	
Gas Type 适用气体		Town Gas 煤气	LPG 石油气	Natural Gas (NG) 天然气	LPG 石油气	Town Gas 煤气	Town Gas 煤气	LPG 石油气	Natural Gas (NG) 天然气	LPG 石油气	Town Gas 煤气	
Hot Water Supply System 热水供应系统		Multi-Point 多点式										
Installation & Flue System 安装及烟道系统		Indoor/Forced-draft Flue System 室内/对衡强制排风系统										
Ignition 点火		Electric Continuous Spark Ignition 电子连续点火										
Operation Water Pressure 操作水压		0.01-0.80 MPa					0.02-0.80 MPa					
Ignition Water Pressure 点火水压		20 kPa			10 kPa		25 kPa			20 kPa		
Product Dimensions (mm) 机身尺寸(毫米)		(H)515 (W)330 (D)138			(H)515 (W)330 (D)138		(H)520 (W)320 (D)120			(H)550 (W)345 (D)138		
Net Weight 净重		11.5 kg			N/A kg		12.5 kg			14 kg		
Pipe Connection 喉管接驳	Gas 气体	G 1/2"			G 1/2"		G 1/2"			G 3/4"		
	Water 冷水	G 1/2"			G 1/2"		G 1/2"			G 1/2"		
	Hot Water 热水	G 1/2"			G 1/2"		G 1/2"			G 1/2"		
Power Supply 电力供应		AC 220 V / 50 Hz										
Electric Consumption 耗电量		40 W			40 W		33 W			48 W		33 W
Control Method 控制方式		Hydraulic Control 水压控制					Electronic Control 电子控制					
Safety Devices 安全装置		Flame Failure Device 熄火后安全装置 / Lightning Surge Protector 闪电保护安全装置 / Overheat Prevention Device 过热安全装置 / Hot Water Hi-Limit Device 热水高温安全装置 / Electric Fuse 电流保险丝 / Pressure Relief Valve 压力排放阀										
Gas Consumption 耗气量	Max. 最大	0.70 m³/h	4.80 m³/h	0.90 m³/h	0.70 m³/h	5.00 m³/h	5.60 m³/h	0.92 m³/h	1.20 m³/h	3.35 m³/h		
	Min. 最小	0.23 m³/h	1.50 m³/h	0.23 m³/h	0.20 m³/h	1.20 m³/h	1.20 m³/h	0.20 m³/h	0.23 m³/h	0.63 m³/h		
Hot Water Supply 热水出水量	Max. Δt= 25 °C 最多温升 25 °C	12 L/min			12 L/min		13 L/min			16 L/min		
	Min. Δt= 25 °C 最小温升 25 °C	4.2 L/min		4.5 L/min	3.0 L/min		3.0 L/min			3.0 L/min		

Specifications and designs are subject to change without prior notice. The appearance of the actual product shall prevail. If there are any inconsistencies or ambiguities between the English version and the Chinese version, the Chinese version shall prevail. Refer to www.germanpool.com for the most up-to-date version.
Installation Notice: All instantaneous electric water heaters (IWH) must be installed by qualified technicians only, who will assume responsibility for the entire heater installation. Respective installation manuals of each individual heater must be strictly observed without compromises. Local Safety Regulations must also be observed - this is the sole responsibility of the executing technician.

* Note: Heating capacity of horizontal style would be slightly less than that of vertical style.

GPC SERIES CENTRAL STORAGE ELECTRIC WATER HEATER (China Market Only) 中央系统储水式电热水器系列 (中国市场专用)






Mount Style 安装方式		Wall-Mount Style 挂墙式							Floor-Mount Style 座地型																
Type 类形		Cylindrical Vertical 垂直圆形		Cylindrical Horizontal 横置圆形					Cylindrical Vertical 垂直圆形			Cylindrical Horizontal 横置圆形					Rectangular Vertical 垂直方形		Rectangular Horizontal* 横置方形*						
Product Image 产品图片																									
Style Code 款式编号		A1	A3	A4	B2	B4	B1	B6	B7	C1	C4	C5	D4	D5	D6	D7	D9	D1	D2	D3	D8	GPC-V		GPC-H	
Inlet Position 入水位置		B	R	L	B	R	B	B	T	T	R	L	R	T	R	L	L	T	R	R	L	-		-	
Outlet Position 出水位置		B	R	L	B	R	B	B	T	T	R	L	T	T	T	L	T	T	L	R	L	-		-	
Heating Element Position 发热线位置		B	B	B	R	R	B	F	F	F	F	F	R	L	R	L	L	F	F	F	F	-		-	

Sub-Model 副型号	Capacity 容量		Voltage (V) 电压		Electric Power (kW) 功率		Weight (KG) 参考重量		Product Dimensions (mm) 机身尺寸(毫米)																	
	G 加仑	L 公升	1-Phase 单相	3-Phase 三相	1-Phase 单相	3-Phase 三相	Net Weight 净重	Filled 满水	High 高	Diameter Ø 直径	Width 阔	Diameter Ø 直径	Width 阔	Diameter Ø 直径	High 高	Diameter Ø 直径	Width 阔	Diameter Ø 直径	Width 阔	Diameter Ø 直径	High 高	Width 阔	Depth 深	High 高	Width 阔	Depth 深
GPC-15	4	15	220	-	1.5, 2, 3	-	9	23	450	305	450	305	380	305	380	305	450	305	380	305	-	-	-	-	-	-
GPC-25	6.5	25	220	-	2, 3, 4	-	13	38	660	305	660	305	600	305	600	305	660	305	600	305	-	-	-	-	-	-
GPC-40	10.5	40	220	-	3, 4	-	18	58	700	356	700	356	650	356	650	356	700	356	650	356	-	-	-	-	-	-
GPC-60	15.5	60	220	-	3, 4	-	24	84	720	432	720	432	650	432	650	432	720	432	350	432	-	-	-	-	-	-
GPC-80	21	80	220	-	3, 4	-	27	107	880	432	880	432	820	432	820	432	880	432	820	432	-	-	-	-	-	-
GPC-100	26	100	220	380	3, 4	12-48	32	132	1020	432	1050	432	980	432	980	432	1050	432	980	432	-	-	-	-	-	-
GPC-120	31.5	120	220	380	3, 4	12-48	40	160	-	-	-	-	-	-	850	508	920	508	850	508	-	-	-	-	-	-
GPC-150	39.5	150	220	380	3, 4	12-48	47	197	-	-	-	-	-	-	1030	508	1100	508	1030	508	-	-	-	-	-	-
GPC-200	52.5	200	220	380	3, 4	12-48	53	253	-	-	-	-	-	-	1040	560	1110	560	1040	560	-	-	-	-	-	-
GPC-230	60.5	230	220	380	3, 4	12-72	60	290	-	-	-	-	-	-	1230	560	1300	560	1230	560	-	-	-	-	-	-
GPC-300	79	300	220	380	3, 4	12-72	85	385	-	-	-	-	-	-	1180	660	1250	660	1180	660	-	-	-	-	-	-
GPC-400	105.5	400	220	380	3, 4	12-96	101	501	-	-	-	-	-	-	1460	660	1530	660	1460	660	-	-	-	-	-	-
GPC-455	120	455	220	380	3, 4	12-96	122	577	-	-	-	-	-	-	1360	785	1430	785	1360	785	-	-	-	-	-	-
GPC-600	158.5	600	220	380	3, 4	12-120	129	729	-	-	-	-	-	-	1550	785	1620	785	1550	785	-	-	-	-	-	-
GPC-800	211	800	220	380	3, 4	12-144	161	961	-	-	-	-	-	-	2040	785	2110	785	2040	785	-	-	-	-	-	-
GPC-1000	264	1000	-	380	-	72-216	195	1195	-	-	-	-	-	-	2600	785	2670	785	2600	785	-	-	-	-	-	-
GPC-1000V/H	264	1000	-	380	-	72-216	440	1440	-	-	-	-	-	-	-	-	-	-	-	-	1720	1200	1300	1320	1520	1300
GPC-1500V/H	396	1500	-	380	-	96-252	590	2090	-	-	-	-	-	-	-	-	-	-	-	-	1810	1400	1600	1320	2200	1300
GPC-2000V/H	528	2000	-	380	-	120-288	685	2685	-	-	-	-	-	-	-	-	-	-	-	-	2250	1400	1600	1520	2090	1500
GPC-2500V/H	660	2500	-	380	-	144-324	915	3415	-	-	-	-	-	-	-	-	-	-	-	-	2160	1600	1800	1520	2530	1500
GPC-3000V/H	792.5	3000	-	380	-	168-360	1015	4015	-	-	-	-	-	-	-	-	-	-	-	-	2490	1600	1800	1720	2310	1700
GPC-4000V/H	1056.5	4000	-	380	-	192-468	1188	5188	-	-	-	-	-	-	-	-	-	-	-	-	2830	1700	1900	1820	2650	1800
GPC-5000V/H	1320.5	5000	-	380	-	216-540	1365	6365	-	-	-	-	-	-	-	-	-	-	-	-	3380	1700	1900	1820	3200	1800
GPC-6000V/H	1585	6000	-	380	-	240-612	1548	7548	-	-	-	-	-	-	-	-	-	-	-	-	3950	1700	1900	1820	3770	1800

产品规格及设计如有变更，恕不另行通知。产品外观以实物为准。中英文版本如有出入，一概以中文版为准。最新版本以www.germanpool.com网上版为准。
 安装注意事项：所有即热式电热水器(热水器)必须由经认可的专业人员安装；整个安装工程必须由这名人员全权负责。每部热水器安装手册内的指示必须严格遵守。电工必须遵守适用标准和安装规定，并确保安装符合当地所有相关法规、供电和供水公司规定及安全规则。

*注：横置热水器之热水输出量比垂直热水器略少，顾客应考虑购买大一容量之型号。

ELECTRIC CENTRAL HEATING SYSTEM (China Market Only) 中央电锅炉采暖系统 (中国市场专用)

Product Image 产品图片	Style Code 款式编号	Mount Style 安装方式	Type 类型	Sub-Model 副型号	Electric Power (kW) 功率	Control Method 控制方式	Voltage (V) 电压	Capacity (L) 容量	Max. Current Output (A) 输出电流	Conductor Size (AWG) 推荐导线规格	Product Dimensions (mm) 机身尺寸(毫米)	Met Diameter (DN) 出口管径	Heating Area (m ²) 采暖面积	
	SH	Wall-Mount Style 挂墙式	Horizontal 横置	SHA-10/1	4	Mechanical Control 机械控制	220	10	18	4mm x 3	H480 W700 D260	25	30 - 40	
				SHA-10/2	8				37	10mm x 2 / +4mm x 1			50 - 100	
				SHA-10/3	12				55	16mm x 2 / +6mm x 1			100 - 150	
				SH-10/1	12		380		18	4mm x 3 / +2.5mm x 2			100 - 150	
				SH-10/2	24				37	10mm x 3 / +4mm x 2			200 - 300	
				SH-10/3	36				55	16mm x 3 / +6mm x 2			300 - 400	
	SV	Wall-Mount Style 挂墙式	Vertical 垂直	SVA-30/1	4	Mechanical Control 机械控制	220	30	18	4mm x 3	H820 W520 D320	25	30 - 40	
				SVA-50/2	8				50	37	10mm x 2 / +4mm x 1		H820 W560 D360	50 - 100
				SVA-60/3	12				60	55	16mm x 2 / +6mm x 1		H880 W600 D400	100 - 150
				SV-30/1	6		380		9	2.5mm x 5	H820 W520 D320		60 - 80	
				SV-30/1	9				14	2.5mm x 5	H820 W520 D320		90 - 120	
				SV-30/1	12				18	4mm x 3 / +2.5mm x 2	H820 W520 D320		100 - 150	
				SV-50/2	18		50	27	10mm x 3 / +4mm x 2	H820 W560 D360	150 - 200			
				SV-50/2	24			37	10mm x 3 / +4mm x 2	H820 W560 D360	200 - 280			
				SV-60/3	27		60	41	10mm x 3 / +4mm x 2	H880 W600 D400	250 - 300			
				SV-60/3	36			55	16mm x 3 / +6mm x 2	H880 W600 D400	300 - 400			
	SVO	Wall-Mount Style 挂墙式	Vertical 垂直	SVAO-60/3	12	Mechanical Control 机械控制	220	60	55	16mm x 2 / +6mm x 1	H880 W600 D400	25	100 - 150	
				380					18	4mm x 3 / +2.5mm x 2			150 - 200	
							27		6mm x 3 / +4mm x 2	200 - 280				
							37		10mm x 3 / +4mm x 2	300 - 400				
				55			16mm x 3 / +6mm x 2							
	SV/E	Wall-Mount Style 挂墙式	Vertical 垂直	SV-30/1E	9	Electronic Control 电子控制	380	30	13	2.5mm x 5	H820 W520 D320	25	80 - 120	
				SV-30/1E	12				18	4mm x 3 / +2.5mm x 2			100 - 150	
				SV-50/2E	18			50	27	10mm x 3 / +4mm x 2	H820 W560 D360		150 - 200	
				SV-50/2E	24				37	10mm x 3 / +4mm x 2			200 - 280	
				SV-60/3E	27			60	41	10mm x 3 / +4mm x 2	H880 W600 D400		250 - 300	
				SV-60/3E	36				55	16mm x 3 / +6mm x 2			300 - 400	
	SH	Floor Style 座地式	Horizontal 横置	SFN-120/3	27	Mechanical Control 机械控制	380	120	41	10mm x 3 / +4mm x 2	H1020 W800 D600	40	250 - 300	
				SFN-120/3	36				55	16mm x 3 / +6mm x 2	H1020 W800 D600		300 - 400	
				SFN-120/4	48				73	25mm x 3 / 10mm x 2	H1020 W800 D600		500 - 600	
				SFN-200/5	60				91	35mm x 3 / 10mm x 2	H1300 W900 D660		600 - 700	
				SFN-200/6	72				109	50mm x 3 / 16mm x 2	H1300 W900 D660		700 - 800	
				SFN-300/7P	84				128	70mm x 3 / 25mm x 2	H1320 W1000 D800		800 - 900	
				SFN-300/8P	96				146	95mm x 3 / 35mm x 2	H1320 W1000 D800		1000 - 1200	
				SFN-400/9P	108				165	95mm x 3 / 35mm x 2	H1600 W800 D1000		1100 - 1300	
				SFN-400/10P	120				182	95mm x 3 / 35mm x 2	H1600 W800 D1000		1200 - 1400	
				SFN-400/11P	132				201	120mm x 3 / +50mm x 2	H1600 W800 D1000		1300 - 1500	
				SFN-400/12P	144			219	120mm x 3 / +50mm x 2	H1600 W800 D1000	1400 - 1600			
				SFN-600/13P	156			237	150mm x 3 / +70mm x 2	H1860 W900 D1100	1500 - 1700			
				SFN-600/14P	168			256	150mm x 3 / +70mm x 2	H1860 W900 D1100	1600 - 1800			
				SFN-600/15P	180			273	150mm x 3 / +70mm x 2	H1860 W900 D1100	1800 - 2000			
				SFN-600/16P	192			291	185mm x 3 / +70mm x 2	H1860 W900 D1100	2000 - 2200			
				SFN-600/17P	204			310	185mm x 3 / +70mm x 2	H1860 W900 D1100	2100 - 2300			
				SFN-600/18P	216			328	185mm x 3 / +70mm x 2	H1860 W900 D1100	2200 - 2500			

产品规格及设计如有变更,恕不另行通知。产品外观以实物为准。中英文版本如有出入,一概以中文版为准。最新版本以www.germanpool.com网上版为准。

安装注意事项:所有即热式电热水器(热水器)必须由经认可的专业人员安装;整个安装工程必须由这专业人员全权负责。每部热水器安装手册中的指示必须严格遵守。电工必须遵守适用标准和安装规定,并确保安装符合当地所有相关法规、供电和供水公司规定及安全规则。

*注:横置热水器之热水输出量比垂直热水器略少,顾客应考虑购买大一容量之型号。

PROJECTS REFERENCE

The following projects reflect the remarkable achievement by German Pool in various major cities in China. Our Storage Water Heater and Electric Central Heating System are the top choices of multinational and national establishments, including Olympic Games Media Village, HSBC China Head Office Building, Wheelock Square, Louis Vuitton, Peace Hotel, and many more.

工程案例

专注于功效和品质，使德国宝储水式电热水器及中央电锅炉采暖系统倍受国内外举世瞩目工程的青睐，无论跨国集团、现代化商厦、大型公共设施、著名饭店还是高尚住宅都一致选用，当中包括北京奥运媒体村、上海滙丰银行中国总部大楼、上海会德丰广场、上海路易威登专门店及和平饭店等。德国宝储水式电热水器及中央电锅炉采暖系统集高性能、省电、安全及稳定于一身，成就享誉全球的声音。





BEIJING

1. OLYMPIC GAMES MEDIA VILLAGE
北京 奥运媒体村
2. ZHONGGUANCUN ENTERPRISE SERVICE CENTRE
北京 中关村企业服务中心
3. JASMINE RESTAURANT AND LOUNGE
北京 工体茉莉餐厅
4. CROWNE PLAZA BEIJING PARKVIEW WUZHOU
北京 五洲皇冠假日酒店
5. YIN TAI CENTRE
北京 银泰中心





1



2



3



4

SHANGHAI

1. PEACE HOTEL
上海 和平飯店
2. HSBC CHINA HEAD OFFICE BUILDING
上海 汇丰银行中国总部大楼
3. LIPPO PLAZA
上海 力宝广场
4. WHEELOCK SQUARE
上海 会德丰广场



SHANGHAI

1. LUJIAZUI SUPER BRAND MALL
上海 陆家嘴正大广场
2. LOUIS VUITTON
上海 路易威登LV专卖店
3. XINTIANDI ROLEX SHOP
上海 新天地劳力士店



1

HUANGSHAN

4. BANYAN TREE HOTEL
黄山 悦榕庄酒店



2



4

LIAONING

5. POSCO (LIAONING) AUTOMOTIVE PROCESSING CENTRE CO., LTD.
辽宁 浦项汽车配件制造有限公司



3



5



1



2



3



4



5



GUANGZHOU

1. LI-NING GYMNASIUM ACADEMY
广州 李宁体育学校
2. GUANGZHOU LUHU GOLF & COUNTRY CLUB
广州 麓湖高尔夫球乡村俱乐部
3. GUANGDONG FOSHAN CHANCHENG DISTRICT GOVERNMENT OFFICE BUILDING
广州 广东佛山禅城区政府办公大楼
4. PANASONIC WANBAO (GUANGZHOU)
广州 松下·万宝
5. CONGHUA WHITE SWAN HOTEL
广州 从化白天鹅宾馆



GUANGZHOU

1. LE PALAIS
广州 东湖御苑
2. GUANGDONG COUNTRY GARDEN
广州 广东碧桂园
3. ZHONGSHAN AGILE GARDEN
广州 中山雅居乐花园



SHENZHEN

4. A-FONTANE STAFF DORMITORY
深圳 雅芳婷布艺实业有限公司





SHENYANG

1. PALACE 66
沈阳 恒隆广场
2. GEMDALE LAUREL BAY
沈阳 金地长青湾
3. CRC MIXC
沈阳 华润万象城
4. ZHUOZHAN MALL
沈阳 卓展购物中心
5. GEMDALE COASTAL INTERNATIONAL
沈阳 金地滨河国际社区



SHENYANG

1. GEMDALE ORIGINATE FROM BRITISH
NOBLE GLORY
沈阳 金地檀郡

2. VANKE RANCHO SANTA FE
沈阳 万科兰乔圣菲

3. COUNTRY GARDEN
沈阳 碧桂园

4. FAIRVIEW LANDSCAPE VILLA
沈阳 锦绣山庄





1



2



3



4



5



SHENYANG

1. NEW WORLD CONVENTION AND EXHIBITION CENTRE
沈阳 新世界会展中心
2. QINGJIAN MING QING CE VILLA
沈阳 清建·明清策别墅
3. LG TELEVISION MANUFACTURING PLANT
沈阳 LG电视厂
4. JENSMO
沈阳 珍茜摩尔
5. HAIRUN INTERNATIONAL
沈阳 海润国际



HONG KONG

1. DISCOVERY BAY GOLF CLUB
香港 愉景湾高尔夫俱乐部
2. BAPTIST HOSPITAL
香港 浸信会医院
3. PRINTEMP HOTEL APARTMENT
香港 春天酒店式住宅
4. TUNG WAH GROUP OF HOSPITALS TAI
TUNG PUI SOCIAL SERVICES BUILDING
香港 东华三院戴东培社会服务大楼





1



2



3



4

HONG KONG

1. XXXX
香港 港铁南港岛线 (东段)
2. HONG KONG INTERNATIONAL SCHOOL
香港 香港国际学校
3. ADVENTIST HOSPITAL
香港 港安医院
4. HONG KONG JOCKEY CLUB STAFF QUARTERS
香港 赛马会职员宿舍



1

MACAU

1. THE VENETIAN MACAU RESORT HOTEL
澳门 威尼斯人度假村酒店
2. LA BAHIA NO.1
澳门 南湾1号
3. SOCIAL DE SEAC PAI VAN
澳门 石排湾公共房社会设施
4. CONDE S. JANUARIO HOSPITAL
澳门 仁伯爵综合医院



2



3



4



MACAU

1. THE RESIDENCIA
澳门 君悦湾酒店
2. CENTRO DE INSPECÇÕES DE VEÍCULOS
NO COTAI
澳门 路氹汽车检验中心
3. PREMIER SCHOOL AFFILIATED TO HOU
KONG MIDDLE SCHOOL
澳门 濠江中学附属英才学校
4. M•RESIDENCES
澳门 君悦湾

33 YEARS OF EXCELLENCE

Established in 1982, German Pool began its legacy as a German water heater importer. Three decades on, German Pool has since expanded worldwide, achieving extraordinary success with a burgeoning series of luxury lifestyle products that are available from China to America. Our motto – Life Made Simpler – has steered our R&D efforts in the past 33 years, in that every product we offer has been designed to an exacting standard based on the premises of aestheticism, health, eco-friendliness, and safety.

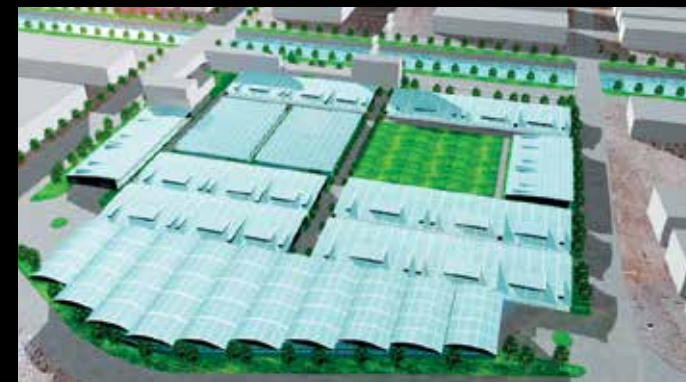
German Pool thrives on diversity. The brand's product portfolio now includes everything from electric water heaters to air conditioners and radiators; from built-in appliances such as range hoods and induction cookers to portable cookware such as noodle makers, rice cookers and food processors; and from personal health care such as massagers to kitchen cabinetry. For a better kitchen shopping experience, German Pool launched the Kitchen Cabinetry and Appliances Showroom in 2001, to give customers the convenience of a one-stop service. Looking forward, German Pool will continue to entice customers with exciting, innovative, and quality new products. German Pool will also build on its brand reputation in order to solidify its global positioning.



33年卓越成就

德国宝创立于1982年，以进口德国热水器白手起家。经过33年的努力，超级品牌德国宝将优质贴心的高端电器带到世界各地，每个产品都以精确的标准设计与制造。「家有德国宝，生活无烦恼」这句品牌格言驱使着我们不断开发更美观、健康、环保和安全的产品。发展至今，德国宝品牌已经享誉全球，其倡导的优质生活产品誉满中国至美洲。

德国宝专注开发多元化产品，包括热水器、抽油烟机、电磁炉、燃气炉、多功能光波炉、面条机、全能饭煲、专业高速食品料理机、按摩器、空调及空气净化系统等。德国宝一站式厨柜陈列中心于2001年成立，为消费者带来了欧洲整体嵌入式厨房和高端厨房用品。为消费者提供高质素的产品、让其享受舒适生活是德国宝一直力求达到的目标，其努力也得到了消费者和商界的好评与尊重，巩固了品牌的领先地位。



以上资料及产品图片仅供参考。

德國寶儲水式電熱水器 | 氣體熱水器 | 中央電鍋爐採暖系統 | 83

AWARDS & RECOGNITION

German Pool has gained recognition as a top brand having received a series of awards. We have won numerous accolades ranging from Superbrands Hong Kong, Hong Kong Premier Brand, Hong Kong Top Brand, Hong Kong Q-Mark Service Scheme Certification, Hong Kong Proud Corporate Brand Award, Hong Kong Consumers Choice, to Hong Kong Awards for Industries - Consumer Product Design, and so on. German Pool has been awarded Hong Kong Top Brand for 10 consecutive years. In 2014, German Pool was awarded the top honour of 10 Years Achievement Award for the brand's continuous exceptional performance.

奖项与荣誉

德国宝品牌誉满全球，囊括了众多奖项，包括「Superbrands Hong Kong」、「香港卓越品牌」、「香港名牌」、「卓越企业品牌大奖」、「杰出企业社会责任奖」及「大中华卓越贡献品牌大奖」等。德国宝除了在香港取得「Consumers Choice」的荣誉，更获得「香港优质商号」的称号，也得到了「香港骄傲企业品牌评选大奖」及「Q唛优质服务证书」的认可。德国宝连续十年蝉联「香港名牌」，并于2014年荣获「香港名牌十年成就奖」。



Superbrands Hong Kong



香港名牌十年成就奖
Hong Kong Top Brand Ten Year
Achievement Award



Hong Kong Premier Brand



Hong Kong Q-Mark Service
Scheme Certification



Hong Kong Proud
Corporate Brand Award



Hong Kong Consumers Choice



Hong Kong Awards for Industries
- Consumer Product Design



Hong Kong Quality Brand



The Best Brand Enterprise Award



中国家电行业
十大影响力品牌



中国厨柜行业
十大影响力品牌



Capital CEO Supreme Brand Award



Outstanding Enterprise
Social Responsibility Award

THRIVING ON DIVERSITY

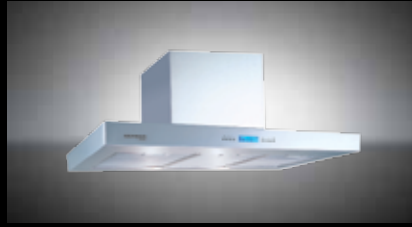
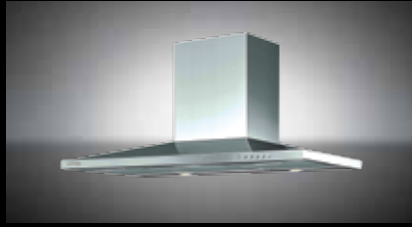
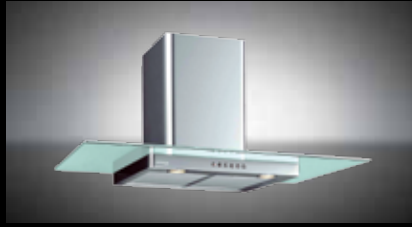
German Pool's motto – Life Made Simpler – has inspired our expansion ever since the launch of our first water heater in 1982. German Pool's product portfolio now includes water heaters, built-in appliances, lifestyle appliances, seasonal appliances, personal health care, houseware, and kitchen cabinetry. For three decades, German Pool has never ceased to capture the zeitgeist of the contemporary lifestyle; and we will continue to do so.

务实向前 多元发展

德国宝的品牌格言「家有德国宝，生活无烦恼」，一直带领公司业务发展。德国宝专注开发多元产品，务求让消费者生活变得简单。自1982年以热水器发家，至今德国宝，已经发展成一家国际化公司，经营业务包括热水器、嵌入式厨电、生活电器、季节性空调系列、远红外线健康护理产品、家庭用品以及高档厨柜。30多年来，德国宝务实向前，积极发展，务求成为无可替代的家居首选。







GERMAN
POOL

ONE-STOP SHOP EXPERIENCE

一站式购物体验

CUSTOM CABINETS KITCHEN & HOME APPLIANCES SHOWROOM

德国宝高级定制柜及电器陈列中心

HONG KONG, CHINA 中国香港

Kowloon Flagship Store & Culinary Experience Centre

Room 2-4, Upper G/F, Newport Centre, 116 Ma Tau Kok Road, Tokwawan, Kowloon
九龙旗舰店及厨乐体验馆 - 九龙土瓜湾马头角道116号新宝工商中心高层地下2-4号室

T. +852 2773 2828

Lifestyle Concept Store & Culinary Experience Centre

Shop L5-5, MegaBox, 38 Wang Chiu Road, Kowloon Bay
生活·厨乐概念店及厨乐体验馆 - 九龙九龙湾宏照道38号MegaBox L5-5铺

T. +852 3907 0356

Shop 435-436, Level 4, Tuen Wan Plaza, Tai Pa Street, Tsuen Wan, N. T.

新界荃湾大坝街荃湾广场四楼435-436铺

T. +852 2455 2382

G/F Wing Ming Industrial Centre, 15 Cheung Yue Street, Lai Chi Kok, Kowloon

九龙荔枝角长裕街15号永明工业中心地铺

T. +852 2370 3189

G/F, 22 Morrison Hill Road, Wanchai, Hong Kong

香港湾仔摩利臣山道22号

T. +852 3110 2030

E-mail : info@germanpool.com

MAINLAND CHINA 中国内地

3/F, Takshun Plaza, Nanguo East Road, Shunde, Foshan, Guangdong
广东省佛山市顺德区大良南国东路德顺广场三层
T. +86 757 2980 8308

E-mail : info@germanpool.com.cn

MACAU, CHINA 中国澳门

Alameda Dr. Carlos D'Assumpcao No. 263, Edif. China Civil Plaza,
15 Andar, I, Macau
澳门宋玉生广场249-263号中土大厦15楼1座
T. +853 2875 2699

E-mail : macao@germanpool.com





