

Instantaneous Electric Water Heater Series

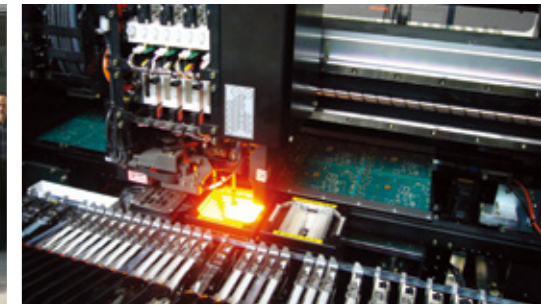
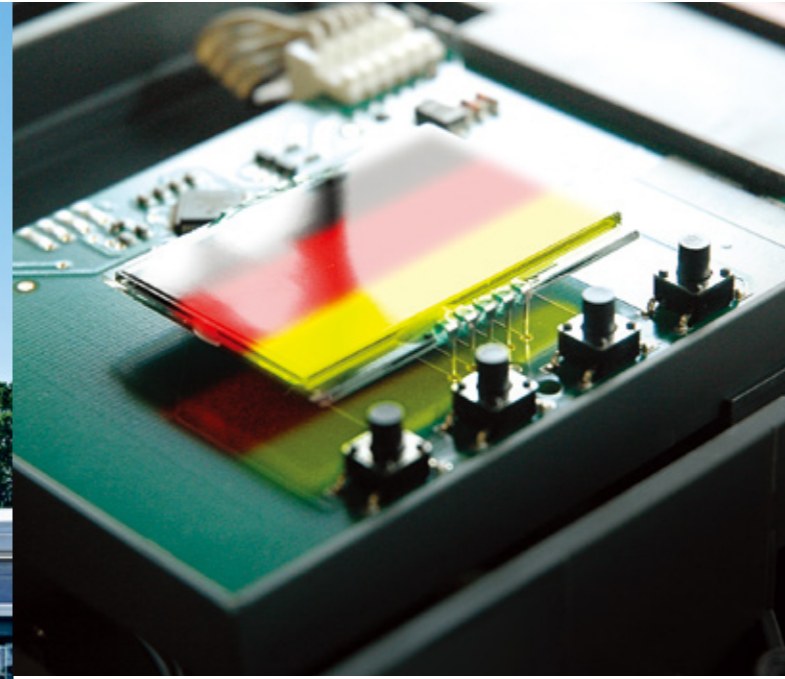
德國寶電熱水器
即熱式系列



MADE IN GERMANY

全機德國設計及製造

RENOWNED GERMAN CRAFTSMANSHIP
傳承德國工藝 品質享負盛名

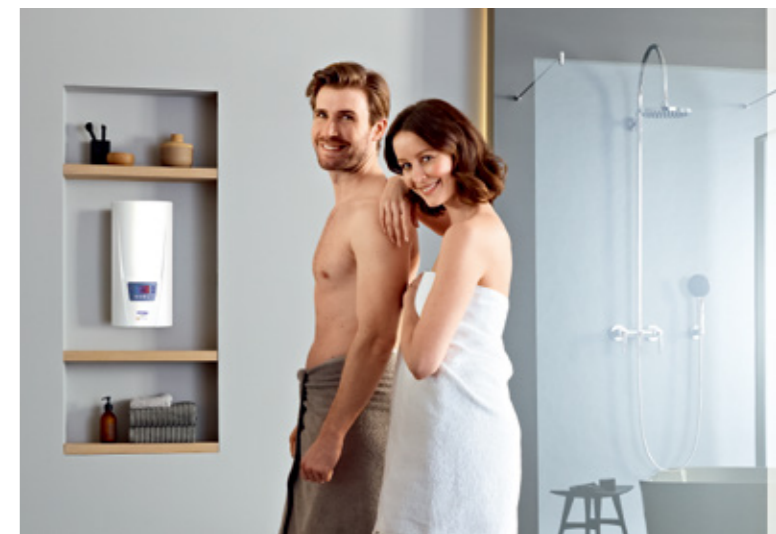


German technology is renowned for refined craftsmanship, durability, and functionality. Designed in Lüneburg, Northern Germany, German Pool's Instantaneous Electric Water Heaters are manufactured to an exacting standard under the watchful eyes of our highly qualified German engineers. Nothing carries the German Pool label unless we are proud of it; and our Instantaneous Electric Water Heaters are proof of our commitment to exceptional craftsmanship and impeccable quality.



德國工藝以做工精細、持久耐用及講究實效而享譽世界，德國寶即熱式電熱水器研發及生產基地均位於德國北部的呂訥堡，從研發、製造到質檢包裝，都全線在德國本土進行，每個部件的生產都由高素質工程師依照相關標準嚴格把關，盡得德國工藝精髓。優異的品質和技術的創新印證德國寶對精細做工孜孜不倦的追求。

MADE IN GERMANY
全機德國設計及製造



單相電源
Single-Phase Power Supply

三相電源
Three-Phase Power Supply

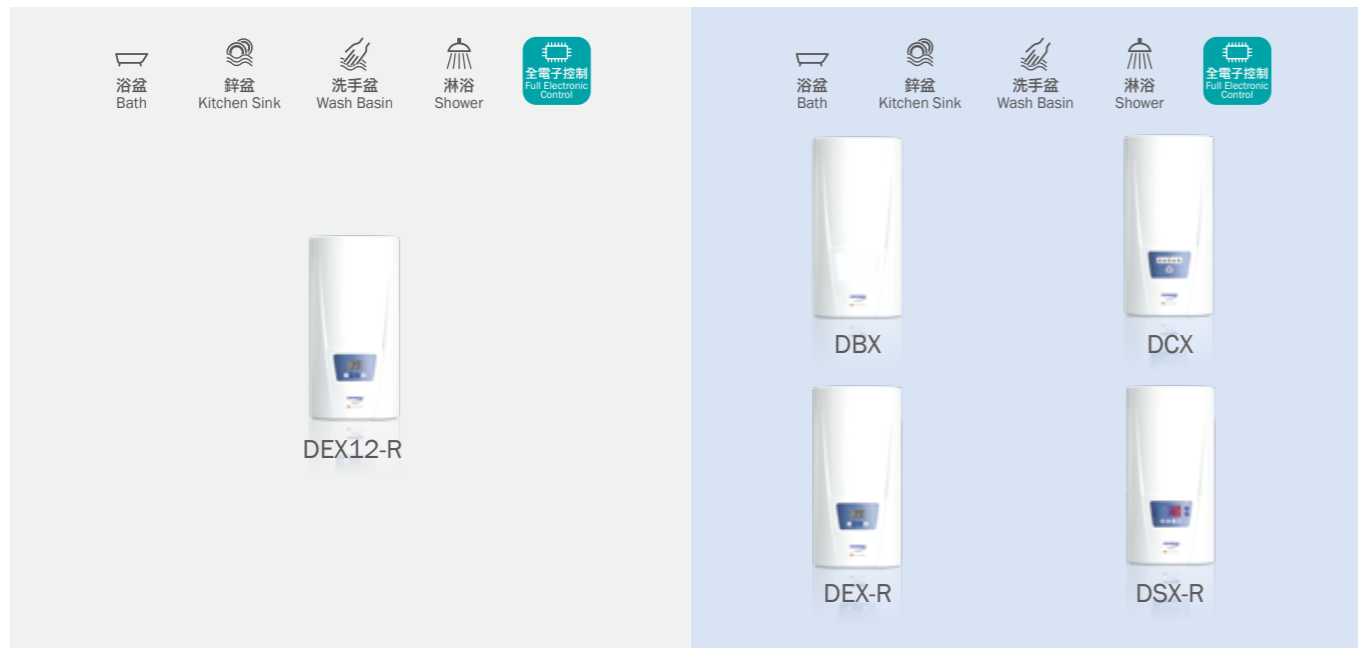
迷你系列 Mini Series



纖巧系列 Compact Series



豪華系列 Deluxe Series



*由2015年11月1日開始購買德國寶即熱式熱水器系列，10日內於網上登記後即能獲得3年保用優惠，包括首3年全機零件保用。上門檢查費、更換零件人工費及運輸裝拆服務費只限首年適用。請即選購德國寶即熱式熱水器系列，享受最優質貼心的熱水服務！
*Effective from 1st November 2015, register online within 10 days of purchase to receive a 3-year warranty on all German Pool Instantaneous Water Heaters. The warranty covers all parts for 3 years. Service fee for testing labour, transportation and installation only applied for the first year.

GPI-M3
水壓控制 HYDRAULIC CONTROL

單相電源
1-Phase Power Supply



- > 迷你外型極致纖巧，配備13A插頭革命性「一插即用」設計
Ultra-compact design, revolutionary 13A socket 'Plug & Use' design
- > 適合安裝於洗手盆
Specially designed for handwashing
- > 適用於辦公室、醫院、學校、商場等洗手盤
Great for facilities like offices, hospitals, schools, malls...

應用 Applications



MADE IN GERMANY
全機德國設計及製造



產品特點 Features

- 功率：2.86kW
- 單一出水口
- IES®明線加熱線制熱
- 無需預熱、無熱量流失，與傳統儲水式熱水器比較，節省高達85%用電
- Ø 1/2" 入水喉，並附設13A插頭電源線
- 相容一般普通龍頭
- 雙極溫度斷路保護裝置
- 榮獲CE、VDE認證
- Power: 2.86 kW
- Single-point application only
- IES® bare wire heating system
- No pre-heating or heat loss, saving up to 85% energy comparison with a small storage water heater
- Ø 1/2" Inlet or outlet water pipe; supplied with 13A power plug
- Compatible with conventional tap
- Double pole thermal cut-out protection
- Obtained CE and VDE certification

GPI-M6

水壓控制 HYDRAULIC CONTROL

單相電源
1-Phase Power Supply



- > 迷你外型極致纖巧，適合安裝於鋅盤或洗手盤下方
Ultra-compact design, simple under sink installation
- > 適用於家用洗手盆及廚房鋅盤
Great for household hand wash or kitchen use
- > 強勁出水量高效去除碗盤污穢或油脂
Strong water supply for effective grease removal

應用 Applications



MADE IN GERMANY
全機德國設計及製造

IES
SYSTEM



產品特點 Features

- 功率：6kW (220V)
- 單一出水口
- IES®明線加熱線制熱
- 即時加熱供應30°C-45°C舒適的混合熱水
- 無需預熱、無熱量流失，與傳統儲水式熱水器比較，節省高達60%用電
- Ø 1/2" 出入口水喉，並附設電源線
- 相容一般普通龍頭
- 雙極溫度斷路保護裝置
- 榮獲CE認證

- Power: 6 kW (220V)
- Single-point application only
- IES® bare wire heating system
- Instant supply of mixed hot water at 30°C - 45°C
- No pre-heating or heat loss, saving up to 60% energy in comparison with a small storage water heater
- Ø 1/2" Inlet or outlet water pipe; supplied with suitable power cable
- Compatible with conventional tap
- Double pole thermal cut-out protection
- Obtained CE certification

GPI-M8

全電子控制 FULL ELECTRONIC CONTROL

單相電源
1-Phase Power Supply



- > 全電子控制，根據流量和入水水溫自動調節功率，節能省電
Full electronic control, power is automatically adjusted according to the flow rate and inlet temperature
- > 迷你外型極致纖巧，適合安裝於鋅盤或洗手盤下方
Ultra-compact design, simple under sink installation
- > 適用於家用洗手盆及廚房鋅盤
Great for household washbasins and kitchen sinks
- > 三種預設溫度可供選擇：
3 preset temperatures available:
 - ECO 35°C
 - COMFORT 38°C
 - MAX 45°C

應用 Applications



MADE IN GERMANY
全機德國設計及製造

IES
SYSTEM

Suitable for
Smart Control
適用智能APP控制系統

Suitable for
SOLAR
System
兼容太陽能系統

ENERG
A
榮獲歐盟A級能源效益認證



產品特點 Features

- 功率：6kW (220V)
- IES®明線加熱線制熱
- 根據流量和入水水溫自動調節功率，節能省電
- 即時加熱供應35°C、38°C及45°C舒適熱水
- 無需預熱、無熱量流失，與傳統儲水式熱水器比較，節省高達85%用電
- Ø 1/2" 出入口水喉，並附設電源線
- 相容一般普通龍頭
- 雙極溫度斷路保護裝置
- 附液晶顯示器
- Smart Control App控制系統（需自行選購）
- 兼容太陽能加熱系統
- 榮獲CE、CCC認證及歐盟A級能源效益

- Power: 6 kW (220V)
- IES® bare wire heating system
- Power is automatically adjusted according to the flow rate and inlet temperature for high energy efficiency
- Instant supply of hot water at 35°C, 38°C and 45°C
- No pre-heating or heat loss, saving up to 85% energy comparison with a small storage water heater
- Ø 1/2" Inlet/outlet water pipe; supplied with suitable power cable
- Compatible with conventional tap
- Double pole thermal cut-out protection
- Control panel with LCD display
- Smart Control System (optional)
- Suitable for Solar System
- Obtained CE, CCC certification and EU Energy Efficiency Class A

CEX9 / CEX9-U

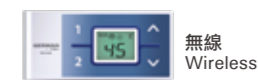
全電子控制 FULL ELECTRONIC CONTROL

單相電源
1-Phase Power Supply



- > 全電子控制，根據流量和入水水溫自動調節功率，節能省電
Full electronic control, power is automatically adjusted according to the flow rate and inlet temperature
- > 特短徑位機身適合藏天花式安裝
Suitable for under ceiling installation
- > 纖巧設計，適合廚房及浴室使用
Compact design, great for kitchen or bathroom
- > 2個獨立程序按鍵，靈活設定個人所需溫度值
2 programmable buttons allow personalised selection of pre-set temperatures

遙控器(需另購) Remote Control (optional)



無線
Wireless

應用 Applications



MADE IN GERMANY
全機德國設計及製造



產品特點 Features

- MPS®多功率調校系統：安裝時可設定功率6.0/7.2kW或8.0/9.6kW (220-240V)
- IES®明線加熱線制熱
- TTC®雙溫度控制系統精確設定20°C-55°C出水溫度
- Ø 1/2" 入水喉，並附設電源線
- 可選用無線遙控器（需自行選購）
- Smart Control App控制系統（需自行選購）
- 兼容太陽能加熱系統
- 榮獲CE和CCC認證及歐盟A級能源效益
- 適合藏天花式安裝
- Multiple Power System MPS®: Power rating can be set at 6.0/7.2kW or 8.0/9.6kW (220-240V) upon installation
- IES® bare wire heating system
- Twin Temperature Control (TTC®) for precise hot water supply (20°C-55°C)
- Ø 1/2" Inlet/outlet water pipe; supplied with suitable power cable
- Optional wireless remote control
- Smart Control System (optional)
- Suitable for Solar System
- Obtained CE, CCC certification and EU Energy Efficiency Class A
- Suitable for under ceiling installation

CEX13

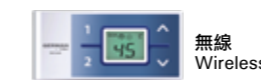
全電子控制 FULL ELECTRONIC CONTROL

三相電源
3-Phase Power Supply



- > 全電子控制，根據流量和入水水溫自動調節功率，節能省電
Full electronic control, power is automatically adjusted according to the flow rate and inlet temperature
- > 特短徑位機身適合藏天花式安裝
Suitable for under ceiling installation
- > 纖巧設計，適合廚房及浴室使用
Compact design, great for kitchen or bathroom
- > 2個獨立程序按鍵，靈活設定個人所需溫度值
2 programmable buttons allow personalised selection of pre-set temperatures

遙控器(需另購) Remote Control (optional)

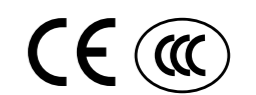


無線
Wireless

應用 Applications



MADE IN GERMANY
全機德國設計及製造



產品特點 Features

- MPS®多功率調校系統：安裝時可設定功率10.0/11.8kW或12.2/14.5kW (380-415V)
- IES®明線加熱線制熱
- TTC®雙溫度控制系統精確設定20°C-60°C出水溫度
- 附大屏幕液晶顯示器
- 可選用無線遙控器（需自行選購）
- Smart Control App控制系統（需自行選購）
- 兼容太陽能加熱系統
- 榮獲CE和CCC認證及歐盟A級能源效益
- 適合藏天花式安裝
- Multiple Power System MPS®: Power rating can be set at 10.0/11.8kW or 12.2/14.5kW (380-415V) upon installation
- IES® bare wire heating system
- Twin Temperature Control (TTC®) for precise hot water supply (20°C-60°C)
- Control panel with LCD display
- Wireless remote control (optional)
- Smart Control System (optional)
- Suitable for Solar System
- Obtained CE, CCC certification and EU Energy Efficiency Class A
- Suitable for under ceiling installation

CEX21

全電子控制 FULL ELECTRONIC CONTROL

三相電源
3-Phase Power Supply



- > 全電子控制，根據流量和入水水溫自動調節功率，節能省電
Full electronic control, power is automatically adjusted according to the flow rate and inlet temperature
- > 特短型機身適合藏天花式安裝
Suitable for under ceiling installation
- > 榮獲A&D Trophy Award 2014
A&D Trophy Award 2014
- > 適用於浴室或商用廚房
Suitable for commercial kitchen or bathroom
- > 2個獨立程序按鍵，靈活設定個人所需溫度值
2 programmable buttons allow personalised selection

遙控器(需另購) Remote Control (optional)



無線
Wireless

應用 Applications



MADE IN GERMANY
全機德國設計及製造



Suitable for
Smart Control
適用智能APP控制系統

Suitable for
SOLAR System
兼容太陽能系統



產品特點 Features

- MPS®多功率調校系統：安裝時可設定功率16.2/19.4kW 或19.0/22.6kW(380-415V)
- IES®明線加熱線制熱
- TTC®雙溫度控制系統精確設定20°C-60°C出水溫度
- 單點或多點出水
- 可選用無線遙控器（需自行選購）
- Smart Control App控制系統（需自行選購）
- 兼容太陽能加熱系統
- 榮獲CE和CCC認證及歐盟A級能源效益
- 適合藏天花式安裝
- Multiple Power System MPS®: Power rating can be set at 16.2/19.4kW or 19.0/22.6kW (380-415V) upon installation
- IES® bare wire heating system
- Twin Temperature Control (TTC®) for precise hot water supply (20°C-60°C)
- Single or multi-point application
- Wireless remote control (optional)
- Smart Control System (optional)
- Suitable for Solar System
- Obtained CE, CCC certification and EU Energy Efficiency Class A
- Suitable for under ceiling installation

CFX21 / CFX21-U

全電子控制 FULL ELECTRONIC CONTROL

三相電源
3-Phase Power Supply



CFX21

CFX21-U
Under-sink



- > 全電子控制，根據流量和入水水溫自動調節功率，節能省電
Full electronic control, power is automatically adjusted according to the flow rate and inlet temperature
- > 跟機附送無線遙控器，方便遙距操作。
Comes with wireless remote control, suitable for remote operation.
- > 特短型機身適合藏天花式安裝
Suitable for under ceiling installation
- > 適用於浴室或商用廚房
Suitable for commercial kitchen or bathroom

應用 Applications



MADE IN GERMANY
全機德國設計及製造



Suitable for
Smart Control
適用智能APP控制系統

Suitable for
SOLAR System
兼容太陽能系統



產品特點 Features

- MPS®多功率調校系統：安裝時可設定功率16.2/19.4kW 或19.0/22.6kW(380-415V)
- IES®明線加熱線制熱
- TTC®雙溫度控制系統精確設定20°C-60°C出水溫度
- 單點或多點出水
- 無線遙控控制
- Smart Control App控制系統（需自行選購）
- 榮獲CE和CCC認證及歐盟A級能源效益
- 適合藏天花式安裝
- Multiple Power System MPS®: Power rating can be set at 16.2/19.4kW or 19.0/22.6kW (380-415V) upon installation
- IES® bare wire heating system
- Twin Temperature Control (TTC®) for precise hot water supply (20°C-60°C)
- Single or multi-point application
- Wireless remote control (optional)
- Smart Control System (optional)
- Suitable for Solar System
- Obtained CE, CCC certification and EU Energy Efficiency Class A
- Suitable for under ceiling installation

DEX12-R

全電子控制 FULL ELECTRONIC CONTROL

單相電源
1-Phase Power Supply



- > 全電子控制，根據流量和入水水溫自動調節功率，節能省電
Full electronic control, power is automatically adjusted according to the flow rate and inlet temperature
- > 適用於商用或工業用廚房或浴室
Suitable for commercial and industrial application
- > 2個獨立程序按鍵，靈活設定個人所需溫度值
2 programmable buttons allow personalised selection of pre-set temperatures

遙控器(需另購) Remote Control (optional)



應用 Applications



MADE IN GERMANY
全機德國設計及製造



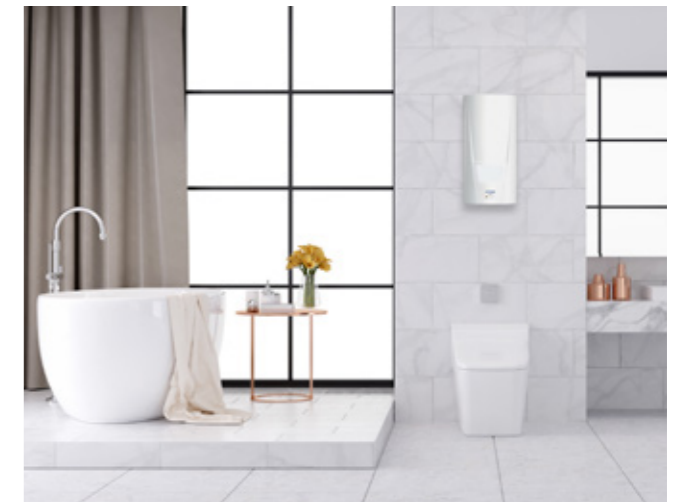
產品特點 Features

- MPS®多功率調校系統：安裝時可設定功率8.0/9.6kW或10.5/12.5kW(220-240V)
- IES®明線加熱線製熱
- TTC®雙溫度控制系統精確設定20°C-55°C出水溫度
- 電子安全斷電系統監控溫度和壓力
- 附大屏幕液晶顯示器
- 可選有線或無線遙控器（需自行選購）
- Smart Control App控制系統（需自行選購）
- 榮獲CE和CCC認證及歐盟A級能源效益
- Multiple Power System MPS®: Power rating can be set at 8.0/9.6kW or 10.5/12.5kW (220-240V) upon installation
- IES® bare wire heating system
- Twin Temperature Control (TTC®) for precise hot water supply (20°C-55°C)
- Electronic safety system with temperature and pressure cut-off
- Control panel with LCD display
- Cable or wireless remote control (optional)
- Smart Control System (optional)
- Obtained CE, CCC certification and EU Energy Efficiency Class A

DBX

全電子控制 FULL ELECTRONIC CONTROL

三相電源
3-Phase Power Supply



- > 全電子控制，根據流量和入水水溫自動調節功率，節能省電
Full electronic control, power is automatically adjusted according to the flow rate and inlet temperature
- > 適合多種用途使用，包括家居或商用
Powerful model with wide range of applications, great for estates, developers and commercial use
- > 入門級機款，性價比極高
Entry-level model, high Cost Performance Ratio
- > 省電節能，操作簡單
Energy saving and simple to use

遙控器(需另購) Remote Control (optional)



應用 Applications



MADE IN GERMANY
全機德國設計及製造



產品特點 Features

- IES®明線加熱線製熱
- 出水水溫的預設值為 50°C，可經技術人員在30°C-60°C之間設定
- 備有DBX18/DBX21/DBX24型號可供選擇
- 多種接駁方式，安裝簡單便利
- 可選用有線遙控器（需自行選購）
- 榮獲CE和CCC認證及歐盟A級能源效益
- IES® bare wire heating system
- Outlet temperature is pre-set at 50°C, internally adjustable to 30°C-60°C by licensed technicians
- Models available in DBX18/DBX21/DBX24
- Easy installation, with various connection possibilities
- Cable remote control (optional)
- Obtained CE, CCC certification and EU Energy Efficiency Class A



- > 全電子控制，根據流量和入水水溫自動調節功率，節能省電
Full electronic control, power is automatically adjusted according to the flow rate and inlet temperature
- > 提供源源不絕的熱水，適合浴缸或其他商用模式
Endless flow of hot water, great for Jacuzzi, hot tub and other commercial use
- > 多點出水，可同時連接多個房間提供熱水
Can cater for use in multiple rooms
- > 提供35°C、38°C、42°C、48°C及55°C五種出水溫度選擇
5 temperature selection available: 35°C, 38°C, 42°C, 48°C and 55°C

遙控器(需另購) Remote Control (optional)



有線
Cable

應用 Applications



MADE IN GERMANY
全機德國設計及製造



產品特點 Features

- MPS®多功率調控系統：安裝時可設功率16.2/19.4kW、19.0/22.6kW、21.6/25.8kW (380/415V)或24.4/27.0kW (380/400V)
- IES®明線加熱線製熱
- TTC®雙溫度控制系統精確設定出水溫度
- 電子安全斷電系統監控溫度和壓力
- 可選用有線遙控器(需自行選購)
- 榮獲CE和CCC認證及歐盟A級能源效益
- Multiple Power System MPS®: Power rating can be set at 16.2/19.4kW, 19.0/22.6kW, 21.6/25.8kW (380/415V) or 24.4/27.0kW (380/400V) upon installation
- IES® bare wire heating system
- Twin Temperature Control (TTC®) for precise hot water supply
- Electronic safety system with temperature and pressure cut-off
- Cable remote control (optional)
- Obtained CE, CCC certification and EU Energy Efficiency Class A



- > 全電子控制，根據流量和入水水溫自動調節功率，節能省電
Full electronic control, power is automatically adjusted according to the flow rate and inlet temperature
- > 2個獨立程序按鍵，靈活設定所需溫度
2 programmable buttons allow personalised selection of pre-set temperatures
- > 時尚外型設計，可顯示用水量及用電量
Trendy design with control panel showing water and electricity usage
- > 適合家用沐浴使用
Good for household showering in houses or low-rise

遙控器(需另購) Remote Control (optional)



無線
Wireless

有線
Cable

應用 Applications



MADE IN GERMANY
全機德國設計及製造



產品特點 Features

- MPS®多功率調控系統：安裝時可設功率16.2/19.4kW、19.0/22.6kW、21.6/25.8kW (380-415V)或24.4/27.0kW (380-400V)
- IES®明線加熱線製熱
- TTC®雙溫度控制系統精確設定20°C-60°C出水溫度
- 電子安全斷電系統監控溫度和壓力
- 附大屏幕液晶顯示器
- 兼容太陽能加熱系統
- 可選用有線或無線遙控器(需自行選購)
- Smart Control App控制系統(需自行選購)
- 榮獲CE和CCC認證及歐盟A級能源效益
- Multiple Power System MPS®: Power rating can be set at 16.2/19.4kW, 19.0/22.6kW, 21.6/25.8kW (380-415V) or 24.4/27.0kW (380-400V) upon installation
- IES® bare wire heating system
- Twin Temperature Control (TTC®) for precise hot water supply (20°C-60°C)
- Electronic safety system with temperature and pressure cut-off
- Control panel with LCD display
- Compatible with solar heating system
- Cable or wireless remote control (optional)
- Smart Control System (optional)
- Obtained CE, CCC certification and EU Energy Efficiency Class A

DSX-R

全電子控制 FULL ELECTRONIC CONTROL

三相電源
3-Phase Power Supply



- > 全電子控制，根據流量和入水水溫自動調節功率，節能省電
Full electronic control, power is automatically adjusted according to the flow rate and inlet temperature
- > 榮獲Focus Energy Silber Award
Focus Energy Silber Award
- > 4個預設程序按鍵，輕鬆設定溫度
4 programmable buttons to easily adjust to your favourite temperatures
- > 獨特全彩色液晶顯示器，可顯示用電量
Innovative multifunctional color display, accessible to energy consumption history

遙控器(需另購) Remote Control (optional)



應用 Applications



MADE IN GERMANY
全機德國設計及製造



Suitable for
Smart Control
適用智能APP控制系統

Suitable for
SOLAR
System
兼容太陽能系統



產品特點 Features

- MPS®多功率調控系統：安裝時可設功率16.2/19.4kW、19.0/22.6kW、21.6/25.8kW (380-415V)或24.4/27.0kW(380-400V)
- 全電子控制，採用IES®明線加熱線製熱
- SERVOTRONIC®動態流動控制和TTC®雙溫度控制系統精確設定20°C-60°C出水溫度
- 電子安全斷電系統監控溫度和壓力
- 兼容太陽能加熱系統
- 可選用有線或無線遙控器（需自行選購）
- Smart Control App控制系統（需自行選購）
- 榮獲CE和CCC認證及歐盟A級能源效益
- Multiple Power System MPS®: Power rating can be set at 16.2/19.4kW, 19.0/22.6kW, 21.6/25.8kW (380-415V) or 24.4/27.0kW (380-400V) upon installation
- IES® bare wire heating system
- Twin Temperature Control (TTC®) and SERVOTRONIC® dynamic flow control for precise hot water supply (20°C-60°C)
- Electronic safety system with temperature and pressure cut-off
- Compatible with solar heating system
- Cable or wireless remote control (optional)
- Smart Control System (optional)
- Obtained CE, CCC certification and EU Energy Efficiency Class A

SMART CONTROL SYSTEM 智能熱水器控制系統

只需輕觸App，就可隨時隨地控制家中所有相容的熱水器。家中成員可以利用Smart Control應用程式的智能版面，預設心水的熱水溫度；系統更會隨著您的生活節奏，適時自動調節出水溫度及開機時間。設定節能目標後，程式會總結出家中各成員的用水及耗電量，助您輕鬆節水節能。

The Smart Control system integrates the controls for all compatible instantaneous electric water heaters, allowing every user to preset their desired temperature for every purpose using the intuitive interface on the Smart Control app. According to each individual's daily routine, the system automates the heater's setting to deliver the perfect temperature for you. The app also allows you to identify saving targets, and summarises water and energy usage for evaluation.



個人喜好設定 Individual User Preferences

用家可依個人喜好快速預設洗手、洗澡或泡浴的熱水溫度。
Hand-washing, shower, and bath temperatures can be pre-set using each personalised icon.

「智能撥盤」簡易選擇已儲存的所選溫度。
User-friendly dial allows easy retrieval of personalised pre-set temperature settings.

智能定時 Intelligent Timer

用家可以按照自己的生活節奏調節預調特定時間之出水溫度。
The water temperature can be adjusted and the timer can be set to suit each individual's daily routine.

用家可以隨時通過智能版面進行調節設定。
User-friendly interface for easy adjustment.

運作數據 Performance Statistics

用戶可查閱用水量及耗電量的總結圖表。
The Smart Control also provides a summary of water usage and energy consumption.

圖表總結出各用家的用水及耗電量；電費等資料一目了然。
Graphical summary of every user's water and energy usage; billing information is also available.

相容下列型號 Compatible with the following models:
DSX-R, GPI-M8, CEX9, CEX13, CFX21, CEX21, DEX-R, DEX12-R



ACCESSORIES 配件

慳水節能花灑 Water-Saving Aerator Showerhead GPA-SHW1



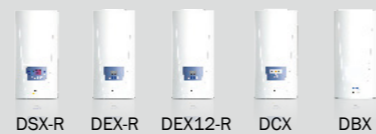
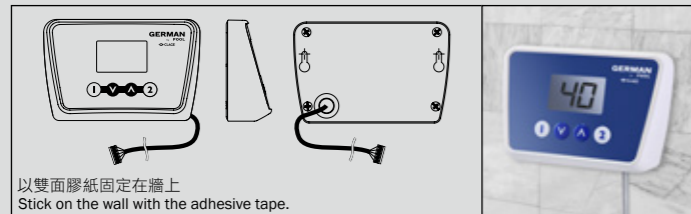
- 專為德國寶電熱水器設計
- 創新空氣加壓技術，慳水同時更舒適
- 超薄時尚設計
- 靈活可調式花灑座
- Specially designed for German Pool Electric Water Heaters
- Air Jet Compression Technology, water-saving and comfortable
- Compact slim design
- Adjustable showerhead holder



有線遙控器 Cable Remote Control FXK



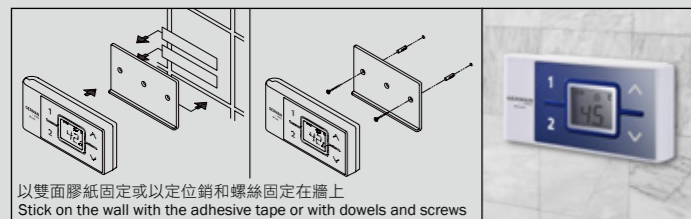
- 適用於DSX、DEX、DEX12、DCX及DBX型號
- 如熱水器安裝於難以觸及之處，可通過線控器輕鬆控制
- 2個獨立程序按鍵，靈活設定個人所需溫度值
- 遙控器傳輸適配器須安裝在熱水器內
- LCD顯示屏清晰顯示操作狀態
- IP24防水級別
- 德國原廠設計製造
- Suitable for DSX, DEX, DEX12, DCX and DBX models only
- For easy operation of water heater built in an inaccessible location
- 2 programmable buttons allow personalised selection of pre-set temperatures
- The transmission adapter has to be assembled inside the water heater
- LCD panel for clear display of operating status
- IP24 water resistance protection
- Engineered and made in Germany



無線遙控器 Wireless Remote Control FX3



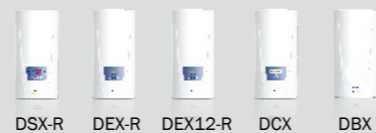
- 適用於CEX系列以及CFX21、DSX、DEX及DEX12等型號
- 2個獨立程序按鍵，靈活設定個人所需溫度值
- 磁石遙控收納設計
- LCD顯示屏清晰顯示操作狀態
- IP20防水級別
- 無線接收範圍為10米
- 德國原廠設計製造
- Suitable for all CEX models as well as CFX21, DSX, DEX and DEX12
- 2 programmable buttons allow personalised selection of pre-set temperatures
- Magnetic holder for remote control
- LCD panel for clear display of operating status
- IP20 water resistance protection
- Wireless sensor can reach up to 10m
- Engineered and made in Germany



加高安裝工具 Mounting Kit RDX



- 適用於DSX、DEX、DEX12、DCX及DBX型號
- 附供水及線路零件
- 適用於牆體外或表面安裝及電源線安裝
- 整潔收藏電源線
- 德國原廠設計製造
- Suitable for DSX, DEX, DEX12, DCX and DBX models
- Provided with plumbing and cable components
- Easy installation for wall or surface-mounted wiring or power cords
- Tidy wiring accommodation
- Engineered and made in Germany



INTERNATIONAL PROJECTS 國際工程案例

Renowned for their efficiency and reliability, German Pool instantaneous electric water heaters are widely adopted at airports, convention centres, hotels, educational institutions, stadiums, corporate offices, and various commercial and residential establishments around the world such as Germany, Mainland China, Hong Kong and Macau. Some of the many past projects include:



1. Leuphana University, Lüneburg 德國呂訥堡大學
2. Elbphilharmonie, Hamburg 德國漢堡易北愛樂廳
3. Puma SE Headquarters, Herzogenaurach 德國彪馬總部
4. Universal Music Group, Berlin 德國柏林環球唱片集團
5. Jungheinrich AG Headquarters, Hamburg 德國漢堡永恒力集團
6. Hamburg Airport 德國漢堡機場
7. Airbus Headquarters, Hamburg 德國漢堡空中巴士總部
8. Olympic Stadium, Berlin 德國柏林奧林匹克體育場
9. Microsoft, Munich 德國慕尼黑微軟辦公大樓
10. BKK Mobil Oil, Hamburg 德國漢堡美孚石油
11. Kranzler-Eck Region, Berlin 德國柏林蘭茨勒·埃克
12. Main Tower, Frankfurt 德國法蘭克福主塔
13. O2 World, Berlin 德國O2 體驗館
14. Colorado Tower, Stuttgart 德國斯圖加特 Colorado Tower
15. Sony Center, Berlin 德國柏林索尼中心
16. Uptown Munich Building, Munich 德國慕尼黑 Uptown Munich
17. Mercedes-Benz Museum, Stuttgart 德國斯圖加特梅賽德斯·奔馳博物館
18. Channel Tower, Hamburg 德國漢堡Channel Tower
19. Germanischer Lloyd, Hamburg 德國漢堡勞埃德船級社
20. EgeTrans, Marbach am Neckar 德國馬爾巴赫EgeTrans

INTERNATIONAL PROJECTS 國際工程案例

德國寶即熱式電熱水器省電節能、安全可靠，用家遍及歐洲、中國內地、香港及澳門，產品被廣泛應用於機場、博覽館、酒店、院校、體育場館、企業辦公大樓，以至各大商業及住宅發展項目，以下為部分工程項目參考。



1. 50 Hertz, Berlin 德國柏林50 Hertz
2. Bornholdhaus, Hamburg 德國漢堡Bornholdhaus
3. Ilmenaugarten, Lüneburg 德國呂訥堡Ilmenaugarten
4. Lüner Damm, Lüneburg 德國呂訥堡Lüner Damm
5. Operturm, Frankfurt 德國法蘭克福歌劇院塔樓
6. Daimler-crysler, Hamburg 德國漢堡戴姆勒-克萊斯勒
7. Munsteror, ULM 德國烏爾姆Munsteror
8. Hotel Bergstrom, Lüneburg 德國呂訥堡Bergstrom酒店
9. Jetzt Haus, Frankfurt 德國法蘭克福Jetzt Haus
10. Highly Energy Efficient House, Heidesheim 德國海德斯海姆高效節能平房

11. Roydorfer Park, Winsen 德國溫森Roydorfer Park
12. Exclusive Apartment, Lüneburg 德國呂訥堡高級公寓
13. Aston Martin Gaydon, England 英國蓋登阿斯顿馬丁總部
14. Facebook London, United Kingdom 英國倫敦Facebook歐洲總部
15. Centro Porsche Porto, Portugal 葡萄牙波爾圖保時捷中心
16. Mercedes-Benz, Budapest 布達佩斯梅賽德斯-奔馳總部
17. Government Building, Vienna 維也納政府大樓
18. DaimlerChrysler Automotive, Warsaw 華沙戴姆勒集團
19. Spectrum, Lutwyche, Australia 澳洲布里斯本Spectrum
20. Solic, Alexandria, Egypt 埃及亞歷山大港Solic

CHINA, HONG KONG & MACAU PROJECTS 中國、香港及澳門工程案例

Renowned for their efficiency and reliability, German Pool instantaneous electric water heaters are widely adopted at airports, convention centres, hotels, educational institutions, stadiums, corporate offices, and various commercial and residential establishments around the world such as Germany, Mainland China, Hong Kong and Macau. Some of the many past projects include:



1. Shanghai World Expo 上海世博會
2. The Portman Ritz-Carlton, Shanghai 上海波特曼麗思卡酒店
3. Fairmont Peace Hotel Shanghai, Shanghai 上海和平飯店
4. Times Square, Shanghai 上海時代廣場
5. IFC Mall, Shanghai 上海國際金融中心
6. Lippo Plaza, Shanghai 上海力寶中心
7. Shanghai Pudong Airport 上海浦東國際機場
8. Pujiang Intelligence Valley Business Park 上海浦江智谷商務園
9. Shanghai Municipality Building, Shanghai 上海市政府人民大廈
10. Shanghai Wheelock Square, Shanghai 上海會豐廣場

11. Xintiandi, Shanghai, Shanghai 上海新天地
12. Grand Gateway, Shanghai, Shanghai 上海港匯廣場
13. Dazhongli Project, Shanghai 上海大中里項目
14. Intermediate People's Court, Ningbo 寧波中級人民法院
15. Ningbo Hefeng Creative Plaza, Ningbo 寧波和豐創意廣場
16. Ningbo Pilot Station Co Limited, Ningbo 寧波大港引航有限公司
17. Ningbo University, Ningbo 寧波大學
18. West Lake University, Zhejiang 浙江西湖大學
19. Maple Leaf International School-Tianjin TEDA, Tianjin 天津楓葉國際學校
20. CHarrow International School Zhuhai, Zhuhai 珠海哈羅國際中學

CHINA, HONG KONG & MACAU PROJECTS 中國、香港及澳門工程案例

德國寶即熱式電熱水器省電節能、安全可靠，用家遍及歐洲、中國內地、香港及澳門，產品被廣泛應用於機場、博覽館、酒店、院校、體育場館、企業辦公大樓，以至各大商業及住宅發展項目，以下為部分工程項目參考。



1. Daishan Stadium, Zhejiang 浙江岱山體育館
2. Wuhan Heartland 66, Wuhan 武漢恆隆廣場
3. Guangzhou Clifford Wonderland, Guangzhou 廣州祈福繽紛世界
4. China Mobile Yinzhou Branch, Yinzhou 中國移動鄞州分公司
5. China Minsheng Banking Corp Ltd, Beijing 中國民生銀行北京總部
6. Ascott Huai Hai Road Shanghai, Shanghai 上海雅詩閣服務公寓
7. Shuiwan 1979, Shenzhen 水灣1979
8. RenHe Spring, Chengdu 成都仁和春天
9. Forum 66, Shenyang 瀋陽市府恒隆廣場
10. The China Hotel Guangzhou 廣州中國大酒店
11. Yangming Hot Spring Resort, Ningbo 寧波陽明溫泉山莊
12. Conghua Training Centre, Guangzhou 從化香港馬會馬匹訓練場
13. Hong Kong Disneyland Hong Kong 香港迪士尼樂園
14. AsiaWorld-Expo, Hong Kong 香港亞洲國際博覽館
15. Hong Kong Science Park, Hong Kong 香港科學園
16. Hong Kong Convention and Exhibition Centre 香港會議展覽中心
17. The Lee Gardens, Hong Kong 香港利園
18. Hong Kong Jockey Club 香港賽馬會
19. The Chinese University of Hong Kong 香港中文大學
20. The Hong Kong University of Science & Technology 香港科技大學

CHINA, HONG KONG & MACAU PROJECTS 中國、香港及澳門工程案例

Renowned for their efficiency and reliability, German Pool instantaneous electric water heaters are widely adopted at airports, convention centres, hotels, educational institutions, stadiums, corporate offices, and various commercial and residential establishments around the world such as Germany, Mainland China, Hong Kong and Macau. Some of the many past projects include:

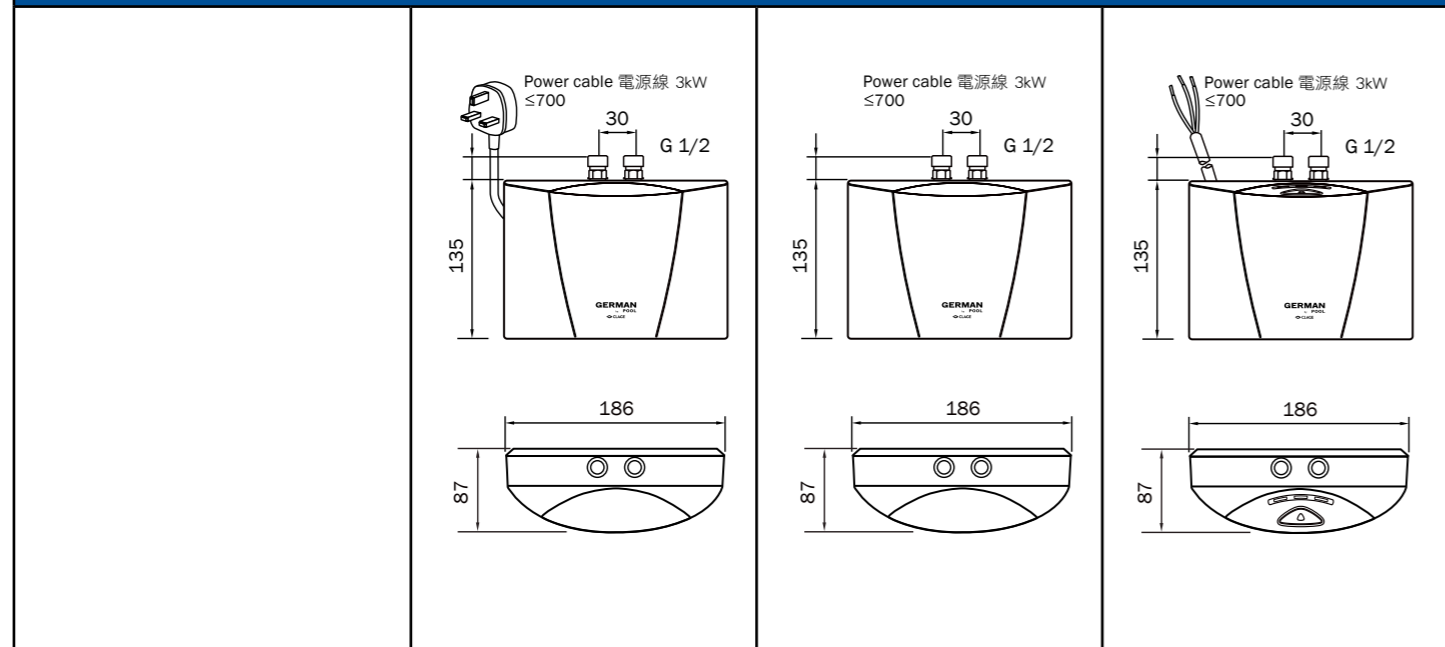


1. Lepont, Hong Kong 香港上源
2. Victoria Skye, Hong Kong 香港天寰
3. Alto Residences, Hong Kong 香港藍塘傲
4. My Central, Hong Kong 香港 My Central
5. The Spectra, Hong Kong 香港朗屏8號
6. Harbour Glory, Hong Kong 香港維港頌
7. 63 Pokfulam, Hong Kong 香港薄扶林道63號
8. Mount Regency, Hong Kong 香港御半山
9. Enchantee, Hong Kong 香港尚賢
10. Ocean Wings, Hong Kong 香港海天晉
11. The Morgan, Hong Kong 香港敦皓
12. Twin Regency, Hong Kong 香港映御
13. RIVA, Hong Kong 香港爾巒
14. Dragons Range, Hong Kong 香港玫瑰山
15. Emerald Green, Hong Kong 香港翠綠峰
16. Billionnaire Royale, Hong Kong 香港御·豪門
17. Hong Kong-Zhuhai-Macao Bridge, Hong Kong 港珠澳大橋
18. Starworld Hotel, Macau 澳門星際酒店
19. The Residencia Macau 澳門君悅灣酒店
20. The Venetian Macau Resort Hotel, Macau 澳門威尼斯人度假村酒店

SPECIFICATIONS 產品規格





			
型號 Model	GPI-M3	GPI-M6	GPI-M8
電壓 / 頻率 (伏特 / 赫茲) Voltage / Frequency (V/Hz)	220 V/50 Hz	220 V/50 Hz	220 V/50 Hz
電源 (單相 / 三相) Power Supply (1-Phase / 3-Phase)	單相 1-Phase	單相 1-Phase	單相 1-Phase
功率 (千瓦) ⁽¹⁾ Power Consumption (kW) ⁽¹⁾	2.86	6.0	6.0
電流 (安培) Electrical Current (A)	13	27.3	27.3
最低及最高入水流量要求 (公升/分鐘) ⁽²⁾ Min-Max Flow Rate (L/min) ⁽²⁾	1.2 - 2.0	2.2 - 3.6	1.5 - 3.4
最高水壓要求 Maximum Water Pressure (bar)	10	10	10
每分鐘熱水流量 (公升/分鐘) ⁽³⁾ (熱水升溫 25°C, Δt=25K) ⁽⁴⁾ Hot Water Flow Rate (L/min) ⁽³⁾ Temperature increase 25°C, Δt=25K ⁽⁴⁾	2.0	3.4	3.4
可選擇溫度範圍 (°C) Temperature Adjustment Range (°C)	N/A	N/A	35, 38, 45
兼容太陽能系統 Solar-compatible	不可 NO	不可 NO	可 YES 最高入水水溫達 70°C Max Inlet temperature 70°C
尺寸 (毫米) Dimensions (mm)	(H) 135 (W) 186 (D) 87	(H) 135 (W) 186 (D) 87	(H) 135 (W) 186 (D) 87
注水後重量 (公斤) Net Weight: Full Tank (kg)	1.5	1.5	1.5
控制 Control	水壓控制 Hydraulic Control	水壓控制 Hydraulic Control	電子控制 Electronic Control
推薦電源線規格 (平方毫米) Recommend Cable Size (mm ²)	≥ 2.5	≥ 4	≥ 4
出入水喉 Inlet / Outlet Water Pipe	1/2"	1/2"	1/2"
認證 / VDE 防水安全認證 Certification / VDE Approval	CE, VDE, IP 25, IEC60335-1 (ed.5), IEC60335-2-35 (ed.4); am1; am2, IEC62233 (ed.1)	CE, VDE, IP 25, IEC60335-1 (ed.5), IEC60335-2-35 (ed.4); am1; am2, IEC62233 (ed.1)	CE, CCC, IEC60335-1 (ed.4) am1, am2, IEC60335-2-35 (ed.4) am1, IP 25 / Class 1, VDE
應用 Applications	洗手盆 Wash Basin	鋅盆、洗手盆 Kitchen Sink, Wash Basin	淋浴、鋅盆、洗手盆 Shower, Kitchen Sink, Wash Basin

安裝圖 Installation Diagram

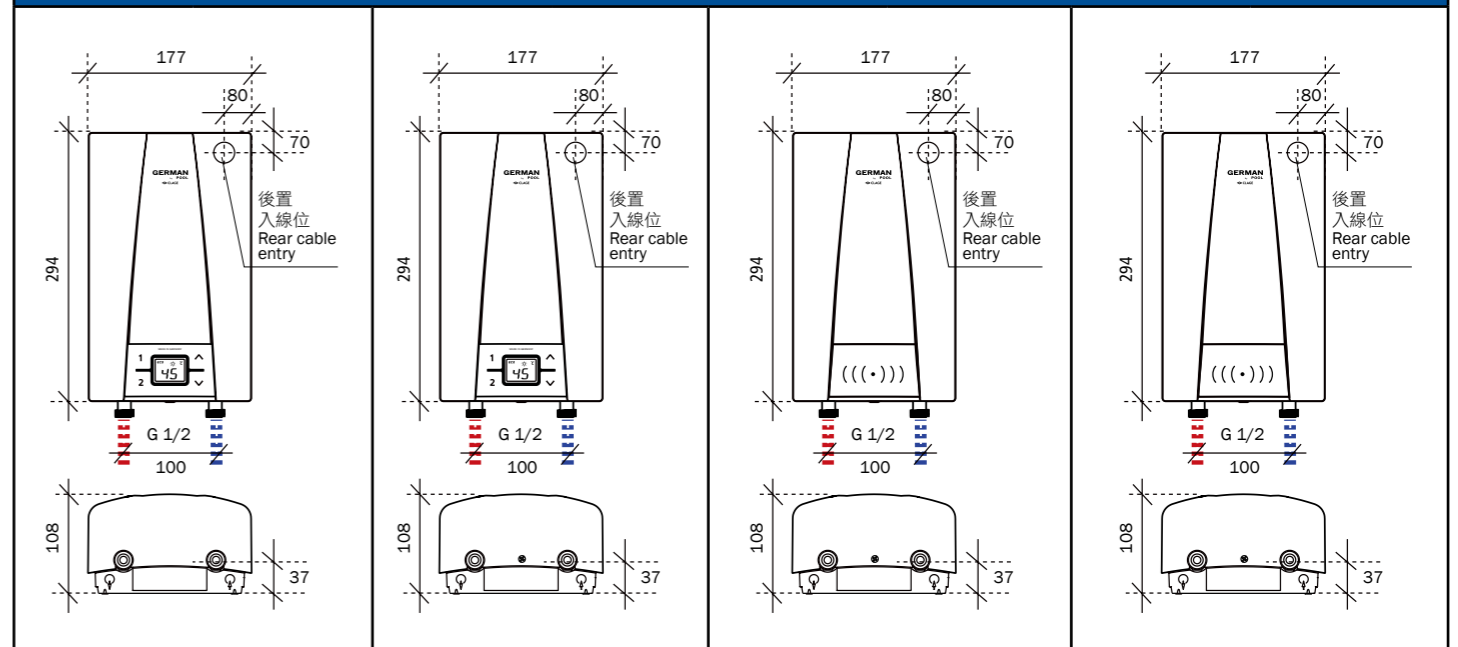


1. 具體規定隨當地供電部門的不同而變化，需由有相關資格的電工進行安裝。Regulations vary according to the regional power supply authority. Must only be connected by a qualified electrician.
 2. 為取得最佳升溫效果，對水流進行了限制。DEX、DCX及DBX內置限流器(8 L/min)。CEX13、DEX12及CEX9內置限流器(5 L/min)。Flow is limited in order to obtain optimal temperature increase. DEX, DCX and DBX are inserted with flow limiter 8L/min. CEX13, DEX12 and CEX9 are inserted with flow limiter 5L/min.
 3. 混合熱水。Mixed hot water.
 4. 例如溫度從20°C升至45°C，或從25°C升至50°C。Temperature increase eg. from 20°C to 45°C, or from 25°C to 50°C。

SPECIFICATIONS 產品規格

				
	CEX9 / CEX9-U	CEX13	CEX21	CFX21 / CFX21U
	220 V/240 V/50 Hz	380 V/415 V/50 Hz	380 V/415 V/50 Hz	380 V/415V/50 Hz
	單相 1-Phase	三相 3-Phase	三相 3-Phase	三相 3-Phase
	6.0/7.2	8.0/9.6	10.0/11.8	12.2/14.5
	16.2/19.4	19.0/22.6	16.2/19.4	19.0/22.6
	27.3/30.0	36.4/40.0	14.0/17.0	18.0/21.0
	25.0/27.0	29.0/31.0	25.0/27.0	29.0/31.0
	2.0 - 5.0 ⁽²⁾	2.0 - 5.0 ⁽²⁾	2.0 - 8.0	2.0 - 8.0
	10	10	10	10
	3.4	5.0	5.7	7.0
	9.3	10.9	9.3	10.9
	20 - 55	20 - 60	20 - 60	20 - 60
可 YES 最高入水水溫達 70°C Max Inlet temperature 70°C	可 YES 最高入水水溫達 70°C Max Inlet temperature 70°C	可 YES 最高入水水溫達 70°C Max Inlet temperature 70°C	可 YES 最高入水水溫達 70°C Max Inlet temperature 70°C	可 YES 最高入水水溫達 70°C Max Inlet temperature 70°C
	(H) 294 (W) 177 (D) 108	(H) 294 (W) 177 (D) 108	(H) 294 (W) 177 (D) 108	(H) 294 (W) 177 (D) 108
	2.7	2.7	2.7	2.7
	電子控制 Electronic Control	電子控制 Electronic Control	電子控制 Electronic Control	電子控制 Electronic Control
	≥ 4	≥ 6	≥ 1.5	≥ 2.5
	≥ 4	≥ 4	≥ 4	≥ 4
	1/2"	1/2"	1/2"	1/2"
	CE, CCC, IEC60335-1 (ed.4) am1, am2, IEC60335-2-35 (ed.4) am1, IP 25 / Class 1, VDE	CE, CCC, IEC60335-1 (ed.4), IEC60335-2-35 (ed.4), IP 25 / Class 1	CE, CCC, IEC60335-1 (ed.4) am1, am2, IEC60335-2-35 (ed.4) am1, IP 25 / Class 1, VDE	CE, CCC, IEC60335-1 (ed.4), IEC60335-2-35 (ed.4), IP 25 / Class 1
	淋浴、鋅盆、洗手盆 Shower, Kitchen Sink, Wash Basin	淋浴、鋅盆、洗手盆 Shower, Kitchen Sink, Wash Basin	浴盆、淋浴、鋅盆、洗手盆 Bath, Shower, Kitchen Sink, Wash Basin	浴盆、淋浴、鋅盆、洗手盆 Bath, Shower, Kitchen Sink, Wash Basin

安裝圖 Installation Diagram

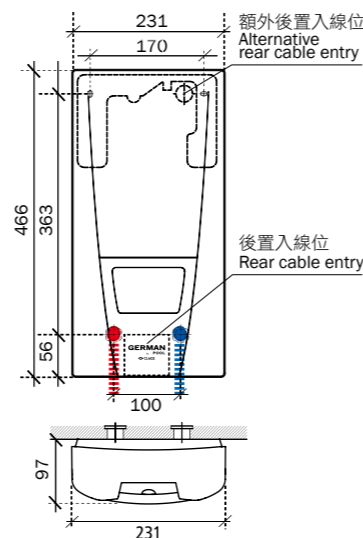
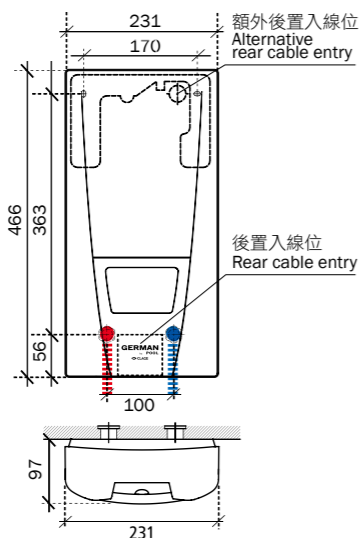


5. 中英文版如有出入，一概以英文版為準。If there is any inconsistency or ambiguity between the English and the Chinese version, the English version shall prevail.
 6. 規格和設計如有變更，恕不另行通知。最新版本以www.germanpool.com網上版為準。Specifications are subject to change without prior notice. Refer to www.germanpool.com for the most up-to-date version.
 7. 所有即熱式電熱水器(熱水器)必須由經認可的專業人員安裝；整個安裝工程必須由經認可的專業人員全權負責。每部熱水器安裝手冊內的指示必須嚴格遵守。電工必須遵守適用標準和安裝規定，並確保安裝符合當地所有相關法規、供電和供水公司規定及安全規例。All instantaneous electric water heaters (IWH) must be installed by qualified technicians only, who will assume responsibility for the entire heater installation. Respective installation manuals of each individual heater must be strictly observed without compromises. Local Safety Regulations must also be observed - this is the sole responsibility of the executing technician.




SPECIFICATIONS 產品規格

					
型號 Model	DEX12-R		DBX18	DBX21	DBX24
電壓 / 頻率 (伏特 / 赫茲) Voltage / Frequency (V/Hz)	220 V/240 V/50 Hz		380 V/415 V/50 Hz		
電源 (單相 / 三相) Power Supply (1-Phase / 3-Phase)	單相 1-Phase		三相 3-Phase		
功率 (千瓦) ⁽¹⁾ Power Consumption (kW) ⁽¹⁾	8.0/9.6	10.5/12.5	16.2/19.4	19.0/22.6	21.6/25.8
電流 (安培) Electrical Current (A)	36.4/40		25/27	29/31	33/36
最低及最高入水流量要求 (公升/分鐘) ⁽²⁾ Min-Max Flow Rate (L/min) ⁽²⁾	2.5-5.0 ⁽²⁾		2.5 - 7.0	2.5 - 8.0 ⁽²⁾	
最高水壓要求 Maximum Water Pressure (bar)	10		10		
每分鐘熱水流量 (公升/分鐘) ⁽³⁾ (熱水升溫25°C, Δt=25K) ⁽⁴⁾ Hot Water Flow Rate (L/min) ⁽³⁾ Temperature increase 25°C, Δt=25K ⁽⁴⁾	4.6	6.0	9.3	10.9	12.4
可選擇溫度範圍 (°C) Temperature Adjustment Range (°C)	20-55		30 - 60		
兼容太陽能系統 Solar-compatible	不可 NO		不可 NO		
尺寸 (毫米) Dimensions (mm)	(H) 466 (W) 231 (D) 97		(H) 466 (W) 231 (D) 97		
注水後重量 (公斤) Net Weight: Full Tank (kg)	3.7		3.7		
控制 Control	電子控制 Electronic Control		電子控制 Electronic Control		
推薦電源線規格 (平方毫米) Recommend Cable Size (mm ²)	≥ 10	≥ 16	≥ 4	≥ 4	≥ 6
出入口喉 Inlet / Outlet Water Pipe	1/2"		1/2"		
認證 / VDE防水安全認證 Certification / VDE Approval	CE, CCC, IEC60335-1 (ed.4), IEC60335-2-35 (ed.4), IP 25 / Class 1		CE, CCC, IEC60335-1 (ed.4), IEC60335-2-35 (ed.4), IP 25 / Class 1		
應用 Applications	淋浴、鉉盆、洗手盆 Shower, Kitchen Sink, Wash Basin		浴盆、淋浴、鉉盆、洗手盆 Bath, Shower, Kitchen Sink, Wash Basin		

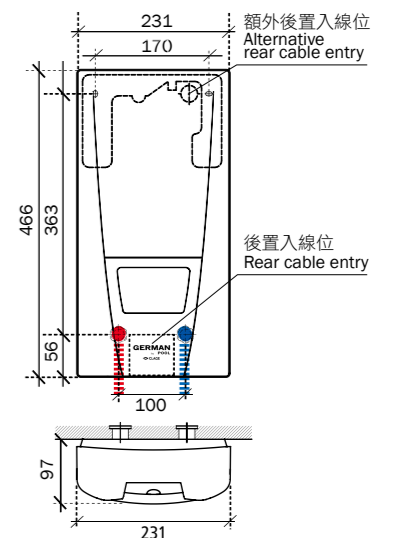
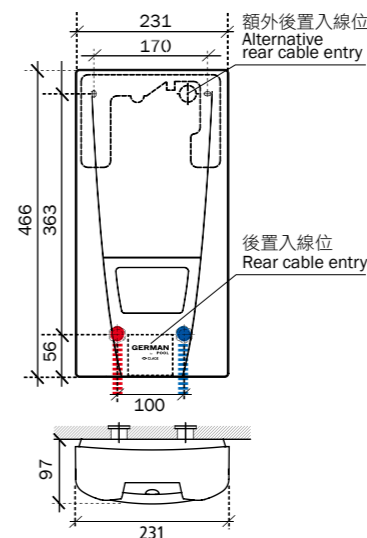
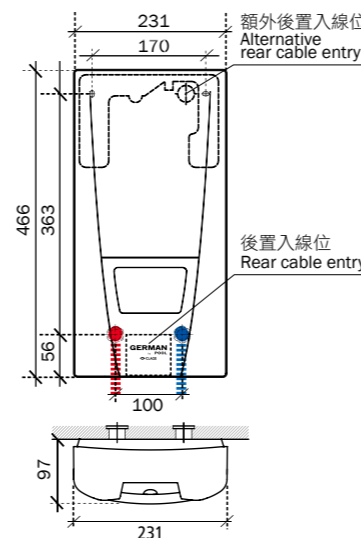
安裝圖 Installation Diagram



SPECIFICATIONS 產品規格

												
	DCX		DEX-R		DSX-R							
	380 V/415 V/50 Hz		380 - 400V/ 50 Hz		380 V/415 V/50 Hz		380 - 400V/ 50 Hz					
	三相 3-Phase				三相 3-Phase				三相 3-Phase			
	16.2/19.4	19.0/22.6	21.6/25.8	24.4/27.0	16.2/19.4	19.0/22.6	21.6/25.8	24.4/27.0	16.2/19.4	19.0/22.6	21.6/25.8	24.4/27.0
	25/27	29/31	33/36	37/39	25/27	29/31	33/36	37/39	25/27	29/31	33/36	37/39
	2.5 - 8.0 ⁽²⁾				2.5 - 8.0 ⁽²⁾				2.5 - 8.0 ⁽²⁾			
	10				10				10			
	9.3	10.9	12.4	14.0	9.3	10.9	12.4	14.0	9.3	10.9	12.4	14.0
	35, 38, 42, 48, 55				20 - 60				20 - 60			
	可 YES 最高入水水溫達70°C Max Inlet temperature 70°C				可 YES 最高入水水溫達70°C Max Inlet temperature 70°C				可 YES 最高入水水溫達70°C Max Inlet temperature 70°C			
	(H) 466 (W) 231 (D) 97				(H) 466 (W) 231 (D) 97				(H) 466 (W) 231 (D) 97			
	3.7				3.7				4.2			
	電子控制 Electronic Control				電子控制 Electronic Control				電子控制 Electronic Control			
	≥ 4	≥ 4	≥ 6	≥ 6	≥ 4	≥ 4	≥ 6	≥ 6	≥ 4	≥ 4	≥ 6	≥ 6
	1/2"				1/2"				1/2"			
	CE, CCC, IEC60335-1 (ed.4), IEC60335-2-35 (ed.4), IP 25 / Class 1				CE, CCC, IEC60335-1 (ed.4), IEC60335-2-35 (ed.4), IP 25 / Class 1				CE, CCC, IEC60335-1 (ed.4), IEC60335-2-35 (ed.4), IP 25 / Class 1			
	浴盆、淋浴、鉉盆、洗手盆 Bath, Shower, Kitchen Sink, Wash Basin				浴盆、淋浴、鉉盆、洗手盆 Bath, Shower, Kitchen Sink, Wash Basin				浴盆、淋浴、鉉盆、洗手盆 Bath, Shower, Kitchen Sink, Wash Basin			

安裝圖 Installation Diagram



1. 具體規定隨當地供電部門的不同而變化，需由有相關資格的電工進行安裝。Regulations vary according to the regional power supply authority. Must only be connected by a qualified electrician.
 2. 為取得最佳升溫效果，對水流進行了限制。DEX、DCX及DBX內置限流器(8 L/min)。CEX13、DEX12及CEX9內置限流器(5 L/min)。Flow is limited in order to obtain optimal temperature increase. DEX, DCX and DBX are inserted with flow limiter 8L/min. CEX13, DEX12 and CEX9 are inserted with flow limiter 5L/min.
 3. 混合熱水。Mixed hot water.
 4. 例如溫度從20°C升至45°C，或從25°C升至50°C。Temperature increase eg. from 20°C to 45°C, or from 25°C to 50°C。

5. 中英文版如有出入，一概以英文版為準。If there is any inconsistency or ambiguity between the English and the Chinese version, the English version shall prevail.
 6. 規格和設計如有變更，恕不另行通知。最新版本以www.germanpool.com網上版為準。Specifications are subject to change without prior notice. Refer to www.germanpool.com for the most up-to-date version.
 7. 所有即熱式電熱水器(熱水器)必須由經認可的專業人員安裝；整個安裝工程必須由經認可的專業人員全權負責。每部熱水器安裝手冊內的指示必須嚴格遵守。電工必須遵守適用標準和安裝規定，並確保安裝符合當地所有相關法規、供電和供水公司規定及安全規例。All instantaneous electric water heaters (IWH) must be installed by qualified technicians only, who will assume responsibility for the entire heater installation. Respective installation manuals of each individual heater must be strictly observed without compromises. Local Safety Regulations must also be observed - this is the sole responsibility of the executing technician.



德國寶 (香港) 有限公司 GERMAN POOL (HONG KONG) LIMITED

香港 Hong Kong

土瓜灣新寶工商中心地舖
Upper G/F, Newport Centre,
Tokwawan
T. +852 2773 2828
☎ +852 9387 2380

九龍灣MegaBox L5-5舖
Shop L5-5, MegaBox,
Kowloon Bay
T. +852 3907 0356
☎ +852 9018 8648

灣仔駱克道置家中心2樓
2/F, iHome Centre,
Lockhart Road, Wan Chai
T. +852 3110 2030
☎ +852 6530 5963

澳門 Macau

俾利喇街寶豐工業大廈
Edificio Industrial Pou Fung,
R. de Francisco Xavier Pereira
T. +853 2875 2699

中國 China

佛山市順德區大良街道五沙新翔路
Xinxiang Road, Wusha, Daliang,
Shunde District, Foshan City,
T. +86 757 2219 6888



香港名牌十年成就獎



香港名牌



更多產品資訊



© 版權所有。未獲本公司授權，不得翻印、複製或使用本單張作任何商業用途。
© All rights reserved. Copying, reproducing or using the contents of this leaflet is not allowed without prior authorization from German Pool.

www.germanpool.com



德國寶 (香港) German Pool HK



德国宝

