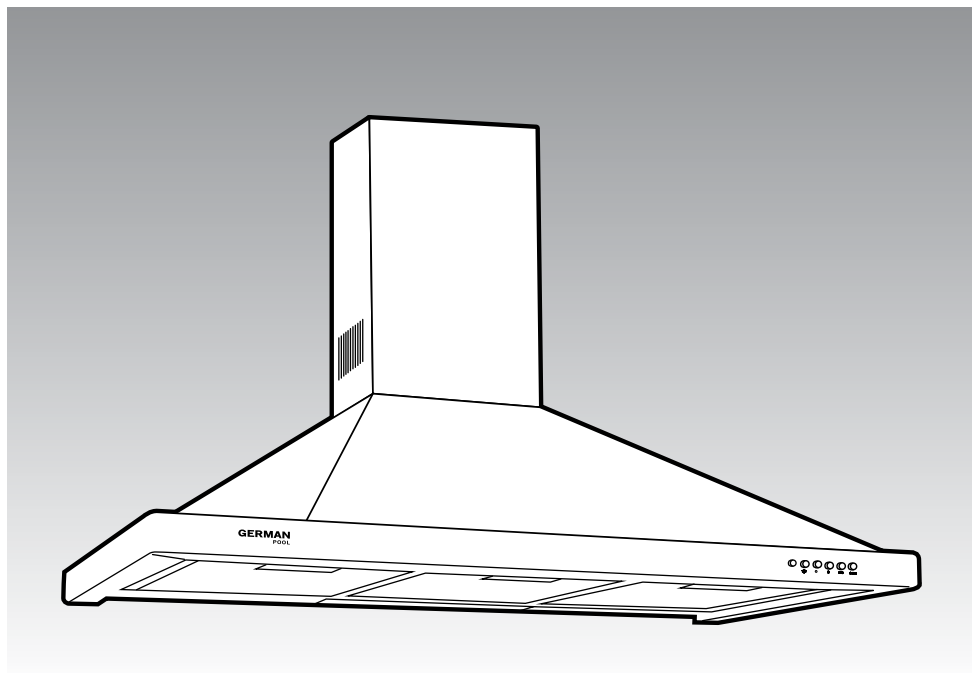


Chimney Type Range Hood  
煙導式抽油煙機

GPR-W700/S  
GPR-W900/S



---

**Made in Europe**  
歐洲製造

---

Please read these instructions and warranty information carefully before use and keep them handy for future reference.

在使用之前請詳細閱讀「使用說明書」及「保用條款」，並妥為保存。

Online Warranty Registration  
即時網上登記保用



請即進行保用登記!  
有關保用條款細則，請看本說明書最後一頁。

---

Please register your warranty information now!  
For Warranty Terms & Conditions,  
please refer to the last page of this user manual.

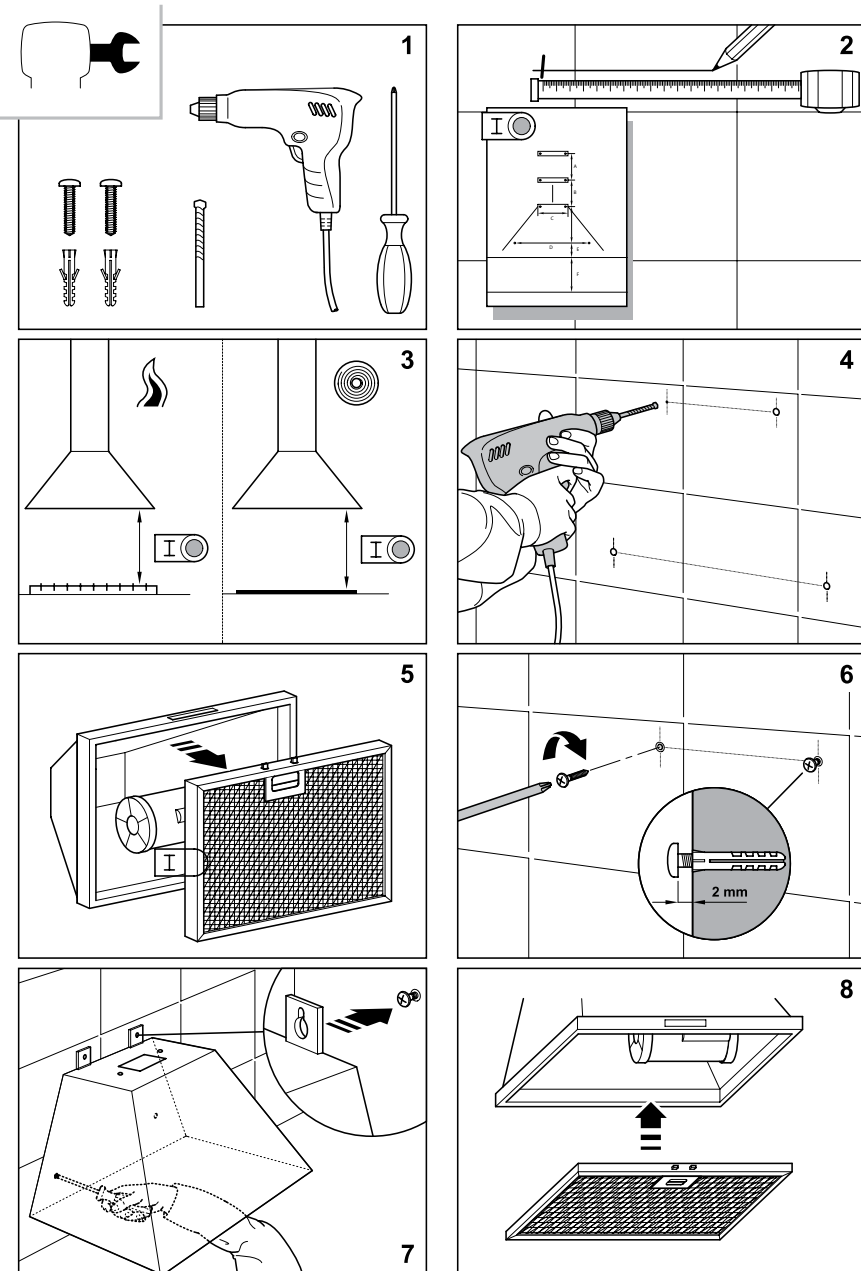
## Content

<b>INSTALLATION</b>	<b>4</b>
Notice before installation	6
Connecting the hood to the grid	7
<b>OPERATION INSTRUCTIONS</b>	<b>7</b>
Notice before use	7
Control panel	8
<b>CARE &amp; MAINTENANCE</b>	<b>9</b>
<b>TECHNICAL SPECIFICATIONS</b>	<b>10</b>
<b>WARRANTY TERMS &amp; CONDITIONS</b>	<b>19</b>

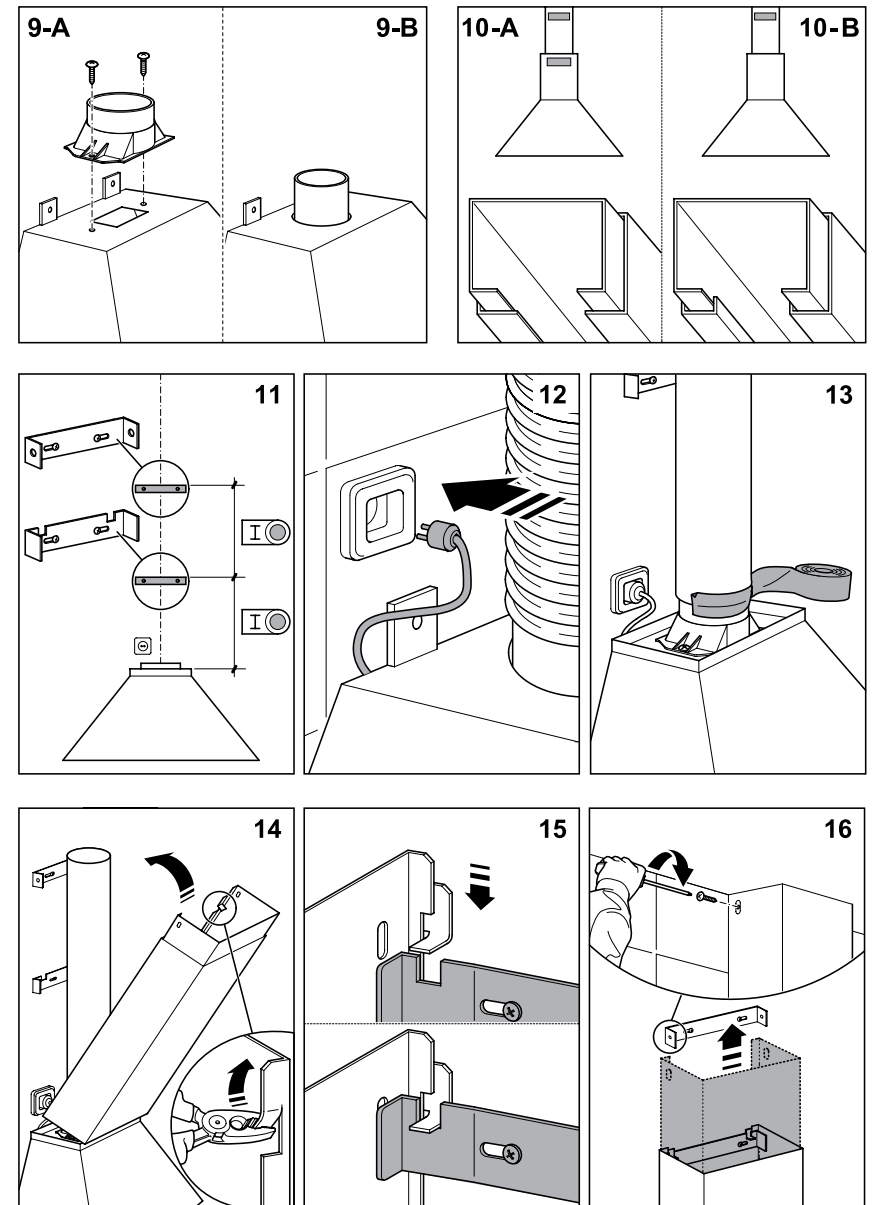
Dear Customer,

Thank you for buying our hood. Please read these instructions carefully for its optimum installation, use and maintenance.

# INSTALLATION



# INSTALLATION



# INSTALLATION

---

## Notice before installation

Warning: consult local regulations regarding fumes outlets. Do not connect the hood to a fume, ventilation or hot air duct. Confirm that room ventilation is appropriate with the local authorities. Make sure the maximum air extraction flow rate for the appliances in the room does not exceed 4 Pa (0.04 mbar). The room must have adequate ventilation if an extractor hood is used simultaneously with appliances that run on gas or other fuels. The evacuated air must be extracted through ducts that are used for evacuating fumes from appliances that run on gas or other fuels. Regulations regarding air extraction must be complied with.

Use a rigid PVC pipe or an aluminium pipe with a min. Ø 150 mm to evacuate fumes outside. The above restrictions do not apply to hoods with no fumes outlet to outside (recirculation system with activated charcoal filter).

Install the hood in line with the instructions on the template. Install the hood in line with the instructions on the template provided. For gas cooking appliances only: the minimum distance to the hood must be at least 65 cm.

## Connecting the hood to the grid

Warning: before connecting the hood: switch off the electricity supply and check that the supplied voltage and frequency coincide with that indicated on the appliance nameplate.

If the extractor hood has a plug, connect it to a power socket in line with applicable regulations, located in an accessible area.

If the hood does not have a plug, connect it directly to the electrical grid, protected by a separator device accessible for disconnection, in line with local regulations.

# OPERATION INSTRUCTIONS

---

## Notice before use

Warning: the hood may stop working during an electrostatic discharge (e. g. lightning). This involves no risk of damage. Switch off the electricity supply to the hood and reconnect after one minute.

Do not allow the hood to be used by children or persons with reduced (physical, sensory or mental) capabilities or lack of experience and knowledge, unless they have been given instruction concerning use of the appliance by a person responsible for their safety.

Children should be supervised so that they do not play with the appliance.

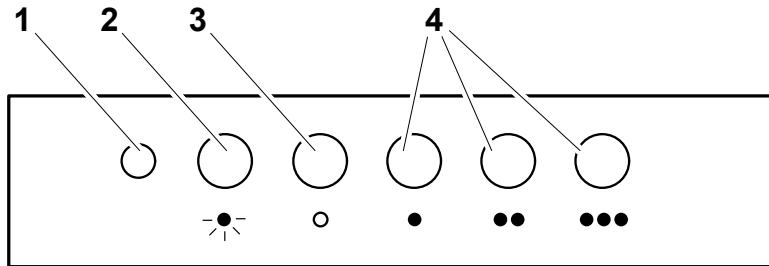
To avoid the risk of fire, clean the metal filter regularly, permanently control pans containing hot oil and do not flambé food underneath the hood.

Do not use the hood if it shows signs of damage or imperfection. Contact an official distributor or authorized dealer.

Accessible parts may heat up when using cooking appliances.

# OPERATION INSTRUCTIONS

## Control panel



1. Extractor fan operating control pilot light.
2. Lighting on and off.
3. Extractor fan off.
4. Extractor fan speed - button: speed 1, 2 and 3.



# CARE & MAINTENANCE

## Hood maintenance

Warning: always switch off the electricity supply before carrying out maintenance work on the hood. In the event of a fault, contact an official distributor or authorized dealer.

Exterior cleaning: use non-corrosive, liquid detergent and avoid the use of abrasive cleaning products.

Grease filters: to avoid fires, clean thoroughly once a month. To do so, remove the filters and wash with hot water and detergent. If using a dishwasher, position the filters vertically to prevent solid remains from depositing on them. Do not use polish to clean or shine.

Activated charcoal filters: replace the every 3 months. (optional accessory)

Important: increase the filter cleaning/replacement frequency if the hood is used for more than 2 hours a day. Always use genuine filters from the manufacturer.

## Bulb replacement

Warning: do not handle the bulbs until the electricity supply has been switched off and they have cooled.

Important: use new bulbs according to that indicated on the hood nameplate.

On cooker hoods equipped with tungsten lamps, the lights should only be used during operation of the motor. They should not be left on permanently and used as a light source.

# TECHNICAL SPECIFICATIONS

Model	GPR-W700/S	GPR-W900/S
Voltage/ Frequency	220-240 V/50 Hz	
Power	280 W	
Lighting	2 x 40 W	
Speed Selection	3 speeds	
Sound Level	51 - 63 dB (A)	
Exhaust Flow	725 m <sup>3</sup> /hr	
Dimensions	(H) 275 mm (W) 700 mm (D) 500 mm	(H) 275 mm (W) 900 mm (D) 500 mm
Exhaust Outlet Diameter	Ø 150 mm	
Net Weight	15.0 kg	15.75 kg

Specifications are subject to change without prior notice.  
If there is any inconsistency or ambiguity between the Chinese version and the English version, the English version shall prevail.  
Refer to [www.germanpool.com](http://www.germanpool.com) for the most up-to-date version of the User Manual.

The manufacturer:

- Declares that this product meets all basic requirements regarding low-voltage electrical equipment established in Directive 2006/95/EC of 12 December 2006 and electro-magnetic compatibility established in Directive 2004/108/EC of 15 December 2004.
- Is not responsible for any failure to observe the instructions given in this manual and current safety regulations for the correct use of the equipment.
- Reserves the right to make any modifications to the equipment or this manual without prior notice.

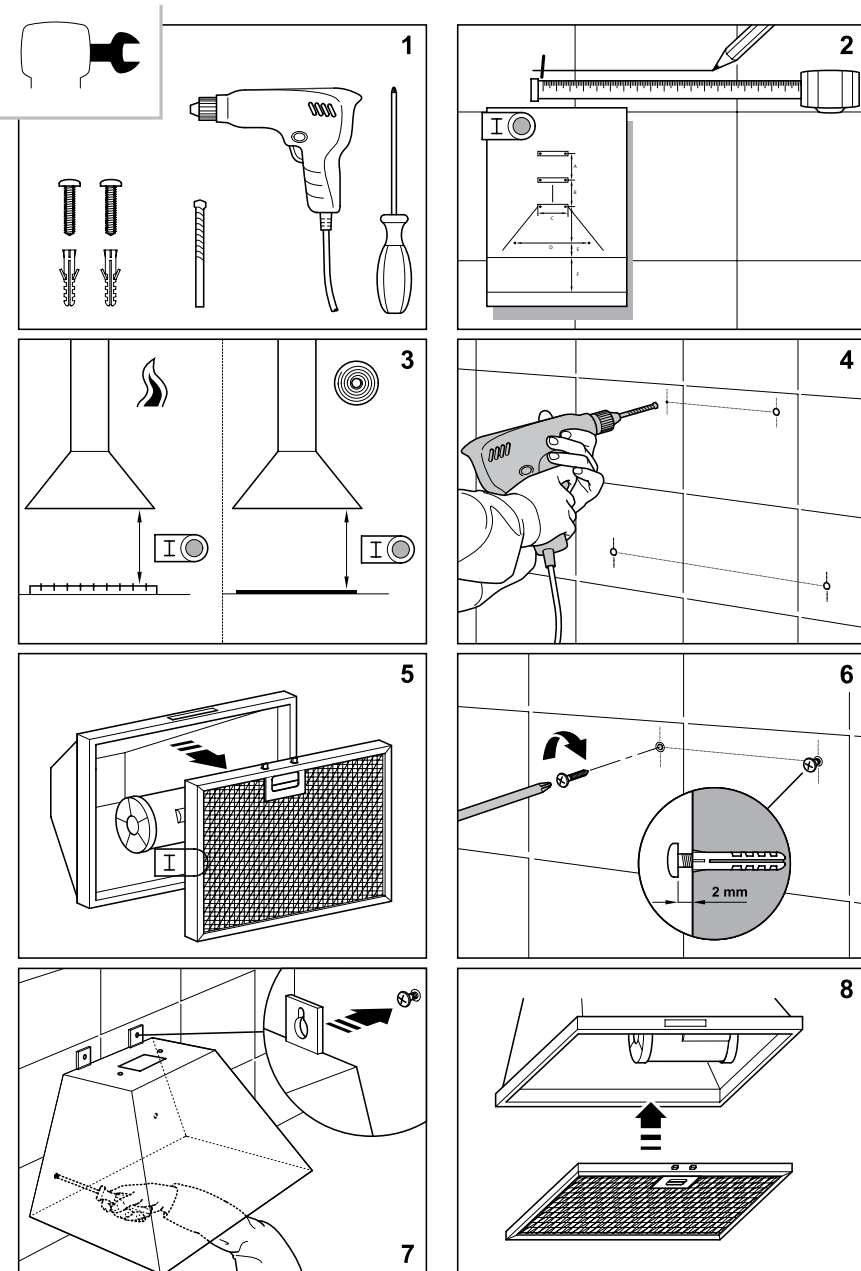
# 目錄

安裝	12
安裝前注意事項	14
試運行抽油煙機	14
操作說明	15
使用前注意事項	15
控制面板	16
清潔與保養	17
技術規格	18
保用條款	19

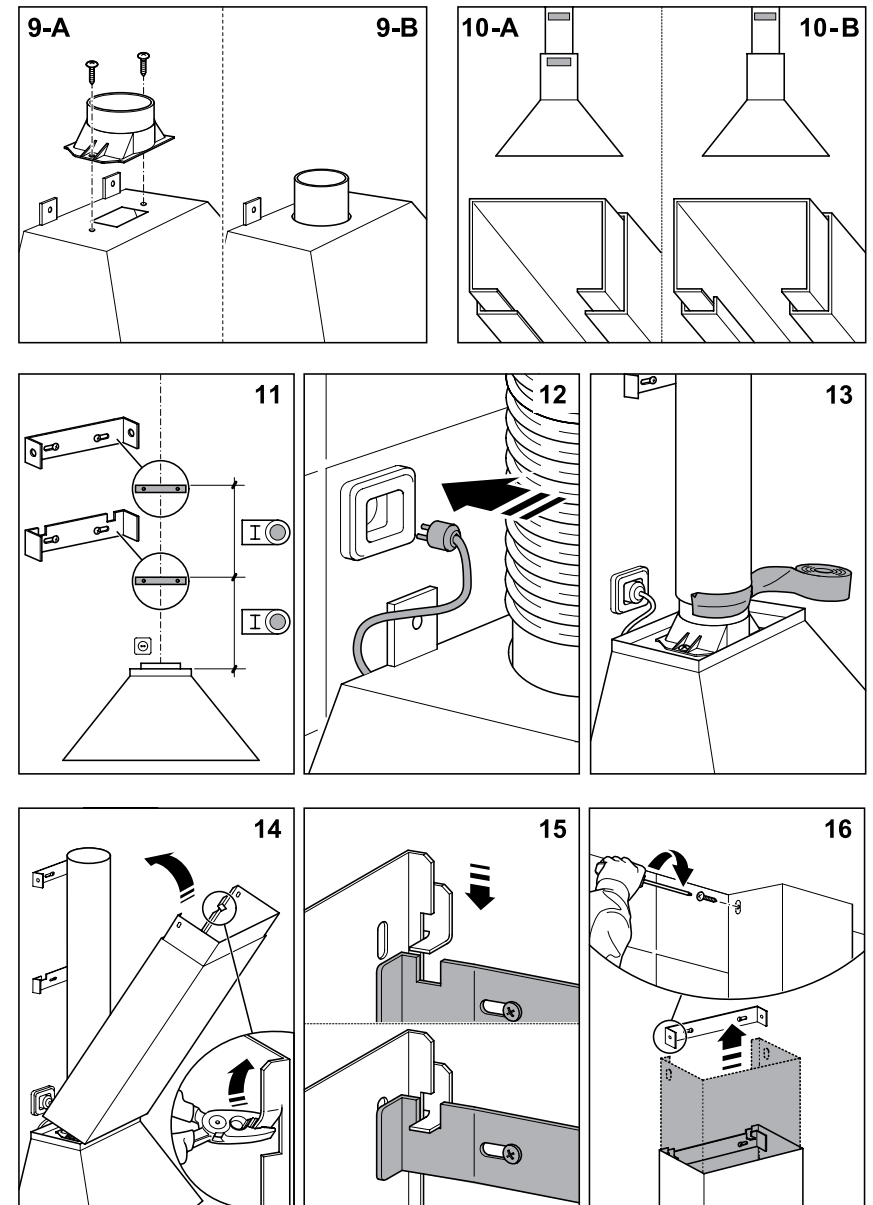
尊敬的用戶：

感謝您購買我們的抽油煙機產品。為了達到最佳的安裝、使用及保養效果，請您仔細閱讀本使用說明書。

# 安裝



# 安裝



# 安裝

## 安裝前注意事項

注意：請參考您當地有關油煙排放標準的規定。請勿將抽油煙機與其他排煙管道、通風管道或熱風管道連接。請向當地權威機構確認室內通風條件是否適合安裝。請確保室內家用電器的最大排氣風壓率不超過 4 帕（0.04 毫巴）。如抽油煙機需與其他燃氣設備一同使用，必須保證室內通風條件充分。必須通過其他燃氣設備的排煙管道排放空氣。必須遵照有關排氣標準的規定。

請使用最小直徑 $\varnothing$ 150mm、PVC 材質的硬塑膠管或鋁錫喉管作為室外排煙管。以上要求不適用於無排煙系統的抽油煙機（具備帶活性炭過濾網的重複循環系統）。

如燃氣灶與抽油煙機之間的距離大於圖例所示距離，請遵照廚房電器生產商的指示。僅適用於廚房燃氣灶：燃氣灶與抽油煙機的最小距離必須至少為 65 厘米。

## 試運行抽油煙機

注意事項：運行抽油煙機前：請先關閉供電電源，檢查供電電壓與電流是否符合抽油煙機銘牌上所示規定。

如抽油煙機帶有插頭，請遵照適用法規將插頭連接至鄰近區域內的電源插座。

如抽油煙機不帶有插頭，請遵照當地法規將其直接連接至具斷路器斷連保護的電源。

# 操作說明

## 使用前注意事項

注意事項：抽油煙機可能會在靜電放電時停止工作（如閃電時）。這不會造成抽油煙機的損壞。此時，請關閉電源開關，在一分鐘後重新打開電源開關。

請勿讓兒童、障礙人士（包括生理、感官、心理）或缺乏知識經驗者使用，除非有人在旁指導，保證其安全使用抽油煙機。

應注意照看兒童，避免兒童玩弄設備。

為避免火災危險，請定期清洗金屬過濾網以及長期積聚熱油的抽油煙機控制台。請勿在抽油煙機下方直接燒烤食物。

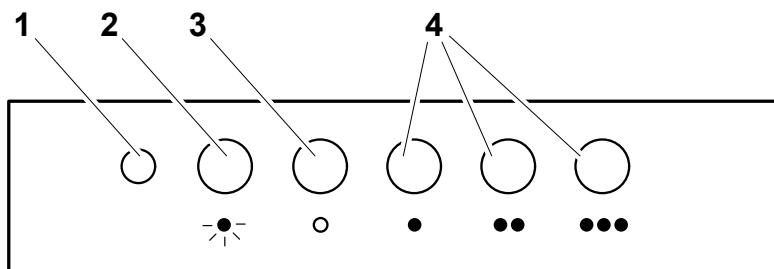
若發現抽油煙機出現損壞或瑕疵，請勿使用。請聯繫本公司維修部或授權經銷商。

在使用燃氣灶時，相鄰零部件可能會過熱。



# 控制面板

## 控制面板



1. 風機操作控制指示燈。
2. 照明燈開關鍵。
3. 風機關閉鍵。
4. 風機轉速——按鍵：風速 1、2 和 3。

更多產品詳情



# 清潔與保養

## 保養抽油煙機

注意事項：保養抽油煙機前，請務必先關閉供電電源。若發生故障，請聯繫本公司或授權經銷商。

外部清潔：請使用無腐蝕性的液體清潔劑，請勿使用含研磨劑的清潔產品。

濾油網：為了防止火災，請每月徹底清洗濾油網。清洗時，拆下濾油網，用熱水與清潔劑清洗。如使用洗碗機清洗，請垂直放置濾油網，避免固體沉澱物殘留在濾網上。

活性炭過濾網：每 3 個月進行更換。(另購配件)

重要說明：如抽油煙機每天使用超過 2 小時，請增加過濾網清洗/更換的頻率。請務必使用由原廠生產的原裝過濾網。

## 更換燈泡

注意事項：更換燈泡前，請先關閉供電電源，等燈泡冷卻後再進行更換，以免燙傷。

重要說明：請參照抽油煙機銘牌上的規定更換新燈泡。

抽油煙機所配備的鎢絲燈只應在電機運行過程使用，不應該長時間開啟或作為日常照明燈具使用。

# 技術規格

型號	GPR-W700/S	GPR-W900/S
電壓/ 頻率	220-240 V/50 Hz	
功率	280 W	
照明燈	2 x 40 W	
風速選擇	3 speeds	
噪音	51 - 63 dB (A)	
排風量	725 m <sup>3</sup> /hr	
產品尺寸	(H) 275 mm (W) 700 mm (D) 500 mm	(H) 275 mm (W) 900 mm (D) 500 mm
排風口直徑	Ø 150 mm	
淨重	15.0 kg	15.75 kg

產品規格及設計如有變更，恕不另行通知。  
中英文版本如有出入，一概以中文版為準。  
本產品使用說明書以 [www.germanpool.com](http://www.germanpool.com) 網上版為最新版本。

## 生產商聲明：

- 該產品符合 2006 年 12 月 12 日制定的《2006/95/EC 規章》中關於低壓電器以及 2004 年 12 月 15 日制定的《2004/108/EC 規章》有關電磁相容性的所有基本規定。
- 如由於未遵照該使用說明書中規定的注意事項，或未遵守正確使用該設備的現行安全規定而引起故障，生產商概不承擔任何責任。
- 生產商保留對設備或該說明書的更改權，恕不另行通知。

# 保用條款

此保用提供德國寶產品之機件在正常使用下壹年保用 (自購買日起計算)。

- \* 貴戶須在購機十天內，以下列其中一種方式向本公司登記資料，保用手續方正式生效：

- 1) 填妥本公司網頁內之保用登記表格

[www.germanpool.com/warranty](http://www.germanpool.com/warranty)

- 2) 填妥保用登記卡，郵寄至本公司。



# Warranty Terms & Conditions

Under normal operations, the product will guarantee a 1-year full warranty provided by German Pool (effective from the date of purchase).

- \* This warranty is not valid until customer registration information is received by our Service Centre within 10 days of purchase via one of the following means:

- 1) Visit our website and register online:

[www.germanpool.com/warranty](http://www.germanpool.com/warranty)

- 2) Complete all the fields on the attached Warranty Card and mail it back to our Customer Service Centre.



另請填妥以下表格並與正本發票一併保存，以便維修時核對資料。用戶提供之所有資料必須正確無誤，否則免費保用將會無效。 Please fill out the form below. This information and the original purchase invoice will be required for any repairs. Warranty will be invalidated if information provided is found to be inaccurate.

型號 Model No. :  GPR-W700/S  GPR-W900/S

機身號碼 Serial No. : \_\_\_\_\_ 發票號碼 Invoice No. : \_\_\_\_\_

購買商號 Purchased From : \_\_\_\_\_ 購買日期 Purchase Date : \_\_\_\_\_

1. 未能出示購買發票正本者，將不獲免費維修服務。
1. Customer who fails to present original purchase invoice will not be eligible for free warranty service.
2. 用戶應依照說明書的指示操作。本保用並不包括：
  - 上門安裝、檢驗、維修或更換零件之人工以及一切運輸費用；
  - 因天然與人為意外造成的損壞 (包括運輸及其他)；
  - 電源接合不當、不依說明書而錯誤或疏忽使用本機所引致之損壞。
2. Customer should always follow the operating instructions. This warranty does not apply to:
  - labour costs for on-site installation, check-up, repair, replacement of parts and other transportation costs;
  - damages caused by accidents of any kind (including material transfer and others);
  - operating failures resulting from applying incorrect voltage, improper usage, and unauthorized installations or repairs.
3. 於下列情況下，用戶之保用資格將被取消：
  - 購買發票有任何非認可之刪改；
  - 產品被用作商業或工業用途；
  - 產品經非認可之技術人員改裝或加裝任何配件；
  - 機身編號被擅自塗改、破壞或刪除。
3. This warranty is invalid if:
  - the purchase invoice is modified by an unauthorized party;
  - the product is used for any commercial or industrial purposes;
  - the product is repaired or modified by unauthorized personnel, or unauthorized parts are installed;
  - the serial number is modified, damaged or removed from the product.
4. 總代理有權選擇維修或更換配件或其損壞部份。
4. German Pool will, at its discretion, repair or replace any defective part.
5. 產品一經被轉讓，其保用即被視作無效。
5. This warranty will be void if there is any transfer of ownership from the original purchaser.

## 客戶服務及維修中心

### 中國香港

九龍灣啟興道1-3號

九龍貨倉10樓

電話：+852 2333 6249

傳真：+852 2356 9798

電郵：[repairs@germanpool.com](mailto:repairs@germanpool.com)

### 中國澳門

澳門俾利喇街145號

寶豐工業大廈3樓

電話：+853 2875 2699

傳真：+853 2875 2661

## Customer Service & Repair Centre

### Hong Kong, China

10/F, Kowloon Godown

1-3 Kai Hing Road, Kowloon Bay,

Kowloon, Hong Kong

Tel : +852 2333 6249

Fax : +852 2356 9798

Email : [repairs@germanpool.com](mailto:repairs@germanpool.com)

### Macau, China

3/F, Edificio Industrial Pou Fung,

145 Rua de Francisco Xavier Pereira,

Macau

Tel : +853 2875 2699

Fax : +853 2875 2661

此保用只適用於香港及澳門

This warranty is valid only in Hong Kong and Macau

# GERMAN POOL

## 德國寶(香港)有限公司 German Pool (Hong Kong) Limited

### 中國香港 Hong Kong, China

香港九龍土瓜灣馬頭角道116號  
新寶工商中心2期113號室  
Room 113, Newport Centre Phase II, 116 Ma Tau  
Kok Road, Tokwawan, Kowloon, Hong Kong.  
電話 Tel: +852 2773 2888  
傳真 Fax: +852 2765 8215

### 中國內地 Mainland China

廣東省佛山市順德區  
大良南國東路德順廣場三層  
3/F, Takshun Plaza, Nanguo East Road,  
Shunde, Foshan, Guangdong  
電話 Tel: +86 757 2980 8308  
傳真 Fax: +86 757 2980 8318

### 中國澳門 Macau, China

澳門俾利喇街145號  
寶豐工業大廈3樓  
3/F, Edificio Industrial Pou Fung,  
145 Rua de Francisco Xavier Pereira, Macau  
電話 Tel: +853 2875 2699  
傳真 Fax: +853 2875 2661



香港 (S) MARK  
安全認證



中國品牌/家電行業  
十大影響力品牌



CEO非凡品牌大賞



寶港優質商標



香港工商業獎



2007  
最具潛質  
創建品牌企業獎



香港中小企業  
最佳推廣大獎



香港消費者推崇品牌



香港《O'Q'》  
優質服務證書



香港名牌十年成就獎  
HONG KONG TOP BRAND TEN YEAR  
ACHIEVEMENT AWARD

© 版權所有。未獲德國寶授權，不得翻印、複製或使用本說明書作任何商業用途，違者必究。

© All rights reserved. Copying, reproducing or using the contents of this manual is not allowed without prior authorization from German Pool, violators will be prosecuted.