

450 Slim Series
Built-In Dishwasher

DWH-221



Online Warranty Registration



Please read these instructions and warranty information carefully before use and keep them handy for future reference.

USER MANUAL

Content

Important Safety Instructions	04
Product Structure	06
Operation Instructions	07
Loading The Salt Into The Softener	
Basket Used Tips	
Maintenance and Cleaning	10
External Care	
Internal Care	
Caring For The Dishwasher	
Installation Instructions	14
About Power Connection	
Water Supply And Drain	
Connection Of Drain Hoses	
Position The Appliance	
Built-In Installation (For The Integrated Model)	
Troubleshooting	21
Loading The Baskets According To EN50242	24
Cutlery Rack Used Tips	

Content

Quick User Guide	27
Using Your Dishwasher	28
Control Panel	
Operation (Button)	
Display	
Water Softener	
Preparing And Loading Dishes	
Function Of The Rinse Aid And Detergent	
Filling The Rinse Aid Reservoir	
Filling The Detergent Dispenser	
Programming The Dishwasher	37
Wash Cycle Table	
Starting A Cycle Wash	
Changing The Program Mid-cycle	
Forget To Add A Dish?	
Error Codes	40
Technical Specifications	41
Warranty Terms & Conditions	79

Important Safety Instructions

⚠ Warning! When using your dishwasher, follow the precautions listed below:

- This appliance is intended to be used in household and similar applications such as:
 - staff kitchen areas in shops, offices and other working environments;
 - farm houses;
 - by clients in hotels, motels and other residential type environments;
 - bed and breakfast type environments.
- This appliance can be used by children aged from 8 years and above and persons with reduced physical, sensory or mental capabilities or lack of experience and knowledge if they have been given supervision or instruction concerning use of the appliance in a safe way and understand the hazards involved. Children shall not play with the appliance. Cleaning and user maintenance shall not be made by children without supervision. (For EN60335-1)
- This appliance is not intended for use by persons (including children) with reduced physical, sensory or mental capabilities, or lack of experience and knowledge, unless they have been given supervision or instruction concerning use of the appliance by a person responsible for their safety. (For IEC60335-1)
- Packaging material could be dangerous for children!
- This appliance is for indoor household use only.
- To protect against the risk of electrical shock, do not immerse the unit, cord or plug in water or other liquid.
- Please unplug before cleaning and maintenance the appliance.
- Use a soft damp cloth with mild soap, and then use a dry cloth to wipe it again.

Earthing Instructions

- This appliance must be earthed. In the event of a malfunction or breakdown, earthing will reduce the risk of an electric shock by providing a path of least resistance of electric current. This appliance is equipped with a cord having an equipment-earthing conductor and a grounding plug.
- The plug must be plugged into an appropriate outlet that is installed and earthed in accordance with all local codes and ordinances.
- Improper connection of the equipment-earthing conductor can result in the risk of an electric shock.
- Check with a qualified electrician or service representative if you are in doubt whether the appliance is properly grounded.
- Do not modify the plug provided with the appliance; If it does not fit the outlet.
- Have a proper outlet installed by a qualified electrician.
- Do not abuse, sit on, or stand on the door or dish rack of the dishwasher.
- Do not operate your dishwasher unless all enclosure panels are properly in place.
- Open the door very carefully if the dishwasher is operating, there is a risk of water squirting out.

Important Safety Instructions

- Do not place any heavy objects on or stand on the door when it is open. The appliance could tip forward.
- When loading items to be washed:
 - 1) Locate sharp items so that they are not likely to damage the door seal;
 - 2) Warning: Knives and other utensils with sharp points must be loaded in the basket with their points down or placed in a horizontal position.
- Some dishwasher detergents are strongly alkaline. They can be extremely dangerous if swallowed. Avoid contact with the skin and eyes and keep children away from the dishwasher when the door is open.
- Check that the detergent powder is empty after completion of the wash cycle.
- Do not wash plastic items unless they are marked dishwasher safe or the equivalent.
- For unmarked plastic items not so marked, check the manufacturer's recommendations.
- Use only detergent and rinse additives designed for an automatic dishwasher.
- Never use soap, laundry detergent, or hand washing detergent in your dishwasher.
- The door should not be left open, since this could increase the risk of tripping. If the supply cord is damaged, it must be replaced by the manufacturer or its service agent or a similarly qualified person in order to avoid a hazard.
- During installation, the power supply must not be excessively or dangerously bent or flattened.
- Do not tamper with controls.
- The appliance needs to be connected to the main water valve using new hose sets. Old sets should not be reused.
- To save energy, in stand by mode, the appliance will switch off automatically while there is no operation in 30 minutes.

Disposal

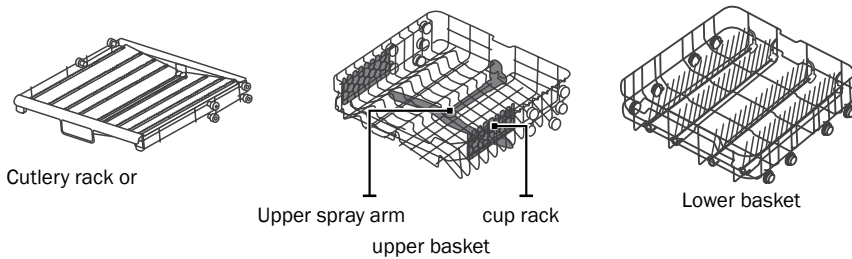
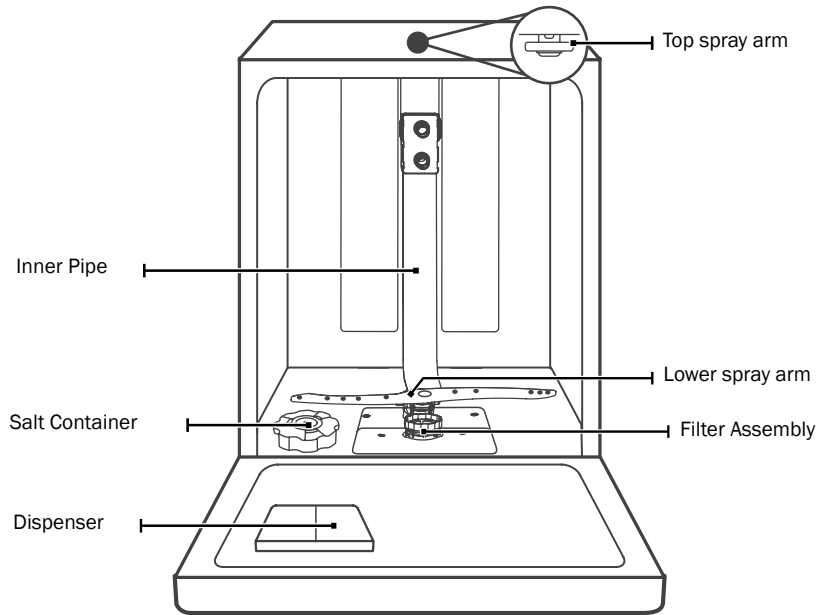
- For disposing of package and the appliance please go to a recycling centre. Therefore cut off the power supply cable and make the door closing device unusable. Cardboard packaging is manufactured from recycled paper and should be disposed in the waste paper collection for recycling.
- By ensuring this product is disposed of correctly, you will help prevent potential negative consequences for the environment and human health, which could otherwise be caused by the inappropriate waste handling of this product.
- For more detailed information about the recycling of this product, please contact your local council your household waste disposal service, or the shop where you purchased the product.



Product Structure

⚠ IMPORTANT

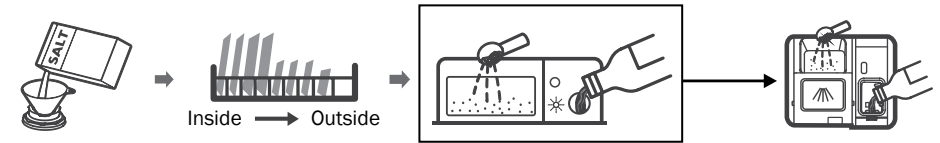
To get the best performance from your dishwasher, read all operating instructions before using it for the first time.



Pictures are only for reference, different models may be different.

Operation Instructions

Before using your dishwasher:



Watch the video clip



- A. Set the water softener
- B. Add 1.5Kg dishwasher salt and then full fill the salt container with water
- C. Fill the rinse aid dispenser
- D. Fill in detergent

Loading The Salt Into The Softener

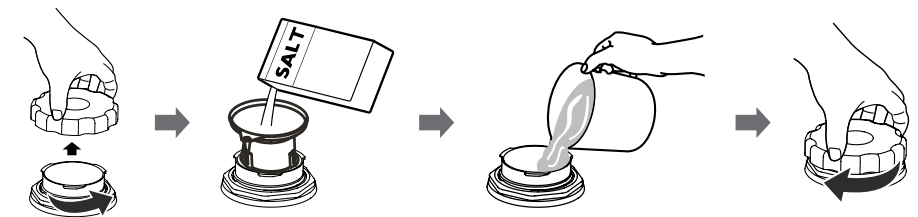
NOTE: If your model does not have a water softener, you may skip this section. Always use salt intended for dishwasher use.

The salt container is located beneath the lower basket and should be filled as explained in the following:

⚠ Warning !

- Only use salt specifically designed for dishwashers use! Every other type of salt not specifically designed for dishwasher use, especially table salt, will damage the water softener. In case of damages caused by the use of unsuitable salt the manufacturer does not give any warranty nor is liable for any damages caused.
- Only fill with salt before running a cycle. This will prevent any grains of salt or salty water, which may have been spilled, remaining on the bottom of the machine for any period of time, which may cause corrosion.

Please follow the steps below for adding dishwasher salt:



Operation Instructions

1. Remove the lower basket and unscrew the reservoir cap.
2. Place the end of the funnel (supplied) into the hole and pour in about 1.5kg of dishwasher salt.
3. Fill the salt container to its maximum limit with water, It is normal for a small amount of water to come out of the salt container.
4. After filling the container, screw back the cap tightly.
5. The salt warning light will switch off after the salt container has been filled with salt.
6. Immediately after filling the salt into the salt container, a washing program should be started (We suggest to use a short program). Otherwise the filter system, pump or other important parts of the machine may be damaged by salty water. This is out of warranty.

NOTE:

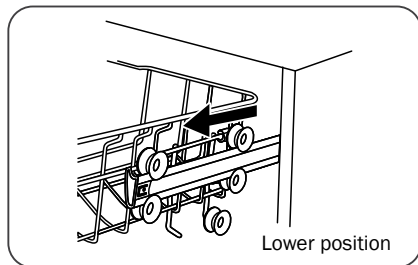
- The salt container must only be refilled when the salt warning light in the control panel comes on. Depending on how well the salt dissolves, the salt warning light may still be on even though the salt container is filled.
If there is no salt warning light in the control panel (for some Models), you can estimate when to fill the salt into the softener by the cycles that the dishwasher has run.
- If salt has spilled, run a soak or quick program to remove it.
- How to use the water softener, please refer to page 30.

Basket Used Tips

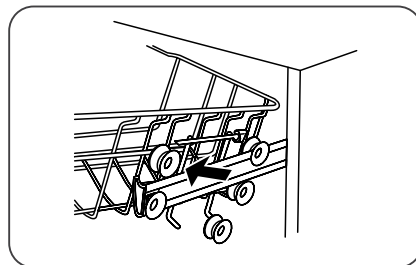
Adjusting the upper basket

The height of the upper basket can be easily adjusted to accommodate taller dishes in either the upper or lower basket.

To adjust the height of the upper rack, follow these steps:

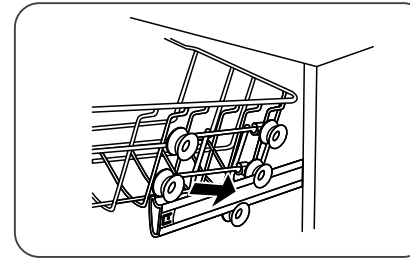


1. Pull out upper basket.

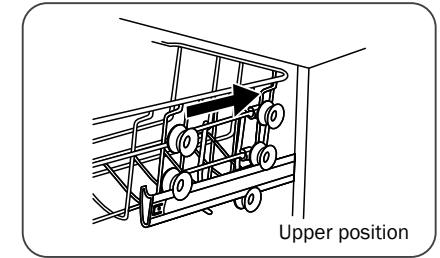


2. Remove upper basket.

Operation Instructions



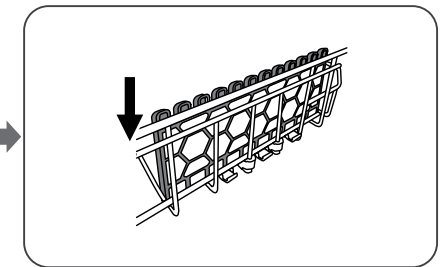
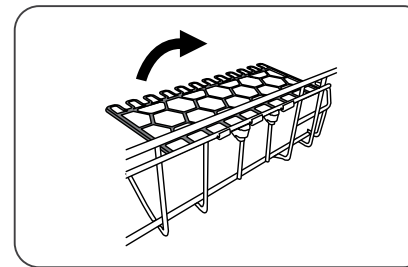
3. Re-attach upper basket to the upper or lower rollers.



4. Push in upper basket.

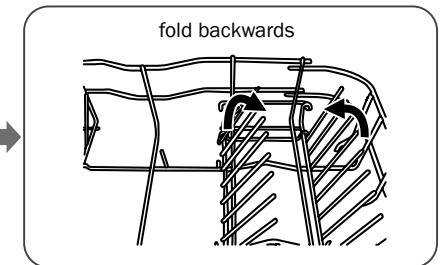
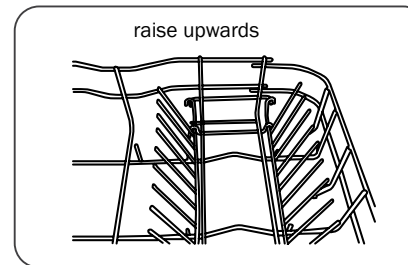
Folding back the cup shelves

To make room for taller items in the dishwasher basket, raise the cup rack upwards. You can then lean the tall glasses against it. You can also remove it when it is not required for use.



Folding back the rack shelves

The spikes are used for holding plates and a platter. They can be lowered to make more room for large items.



Maintenance and Cleaning

External Care

The door and the door seal

Clean the door seals regularly with a soft damp cloth to remove food deposits. When the dishwasher is being loaded, food and drink residues may drip onto the sides of the dishwasher door. These surfaces are outside the wash cabinet and are not accessed by water from the spray arms. Any deposits should be wiped off before the door is closed.



The control panel

If cleaning is required, the control panel should be wiped with a soft damp cloth ONLY.

⚠ Warning

- To avoid penetration of water into the door lock and electrical components, do not use a spray cleaner of any kind.
- Never use abrasive cleaners or scouring pads on the outer surfaces because they may scratch the finish. Some paper towels may also scratch or leave marks on the surface.

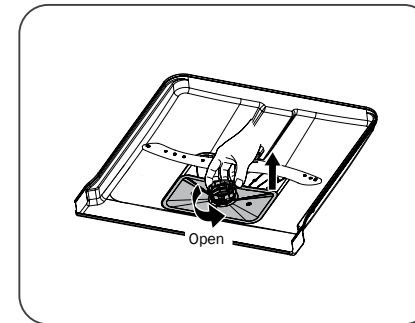
Maintenance and Cleaning

Internal Care

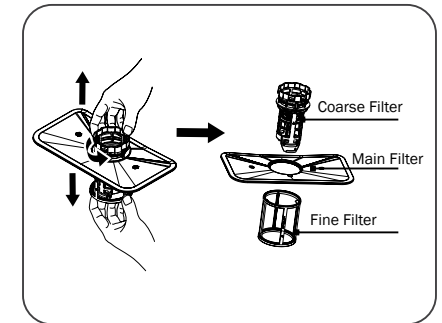
Filtering system

The filtering system in the base of the wash cabinet retains coarse debris from the washing cycle. The collected coarse debris may cause the filters to clog. Check the condition of the filters regularly and clean them if necessary under running water. Follow the steps below to clean the filters in the wash cabinet.

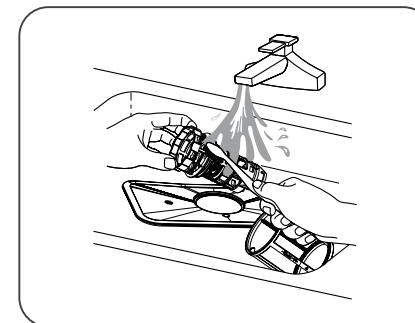
NOTE: Pictures are only for reference, different models of the filtering system and spray arms may be different.



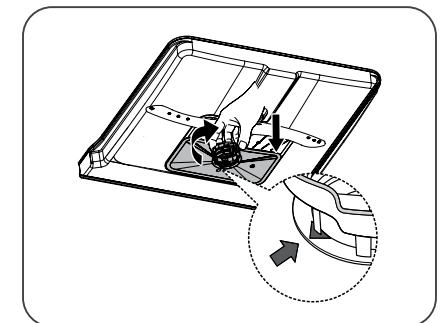
1. Hold the coarse filter and rotate it anticlockwise to unlock the filter. Lift the filter upwards and out of the dishwasher.



2. The fine filter can be pulled off the bottom of the filter assembly. The coarse filter can be detached from the main filter by gently squeezing the tabs at the top and pulling it away.



3. Larger food remnants can be cleaned by rinsing the filter under running water. For a more thorough clean, use a soft cleaning brush.



4. Reassemble the filters in the reverse order of the dis-assembly, replace the filter insert, and rotate clockwise to the close arrow.

Maintenance and Cleaning

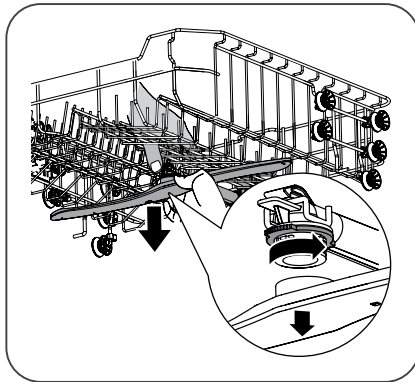
⚠ Warning

- Do not over tighten the filters. Put the filters back in sequence securely, otherwise coarse debris could get into the system and cause a blockage.
- NEVER use the dishwasher without filters in place. Improper replacement of the filter may reduce the performance level of the appliance and damage dishes and utensils.

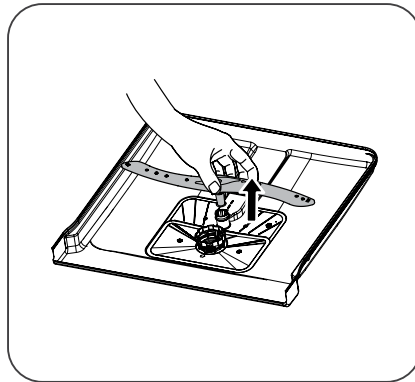
Spray arms

It is necessary to clean the spray arms regularly for hard water chemicals will clog the spray arm jets and bearings.

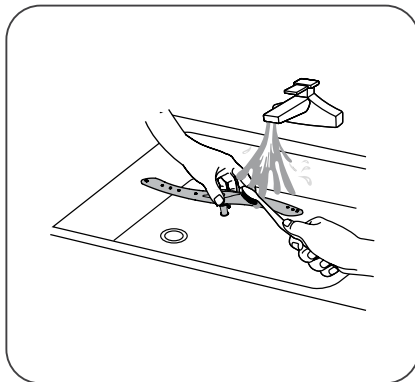
To clean the spray arms, follow the instructions below:



1. To remove the upper spray arm, hold the nut in the centre still and rotate the spray arm counterclockwise to remove it.



2. To remove the lower spray arm, pull out the spray arm upward.



3. Wash the arms in soapy and warm water and use a soft brush to clean the jets. Replace them after rinsing them thoroughly.

Maintenance and Cleaning

Caring For The Dishwasher

Frost precaution

Please take frost protection measures on the dishwasher in winter. After washing cycles, please operate as follows:

1. Cut off the electrical power to the dishwasher.
2. Turn off the water supply and disconnect the water inlet pipe from the water valve.
3. Drain the water from the inlet pipe and water valve. (Use a pan to gather the water)
4. Reconnect the water inlet pipe to the water valve.
5. Remove the filter at the bottom of the tub and use a sponge to soak up water in the sump.

After every wash

After every wash, turn off the water supply to the appliance and leave the door slightly open so that moisture and odour are not trapped inside.

Remove the plug

Before cleaning or performing maintenance, always remove the plug from the socket.

No solvents or abrasive cleaning

To clean the exterior and rubber parts of the dishwasher, do not use solvents or abrasive cleaning products. Only use a cloth with warm soapy water.

To remove spots or stains from the surface of the interior, use a cloth dampened with water and a little vinegar, or a cleaning product made specifically for dishwashers.

When not in use for a long time

It is recommend that you run a wash cycle with the dishwasher empty and then remove the plug from the socket, turn off the water supply and leave the door of the appliance slightly open. This will help the door seals to last longer and prevent odors from forming within the appliance.

Moving the appliance

If the appliance must be moved, try to keep it in the vertical position. If absolutely necessary, it can be positioned on its back.



Installation Instructions

⚠ Warning!

Electrical Shock Hazard

Disconnect electrical power before installing dishwasher.
Failure to do so can result in death or electrical shock.

Attention:

The installation of the pipes and electrical equipment should be done by professionals.

About Power Connection

⚠ Warning

For personal safety:

- Do not use an extension cord or an adapter plug with this appliance.
- Do not, under any circumstances, cut or remove the earthing connection from the power cord.

Electrical requirements

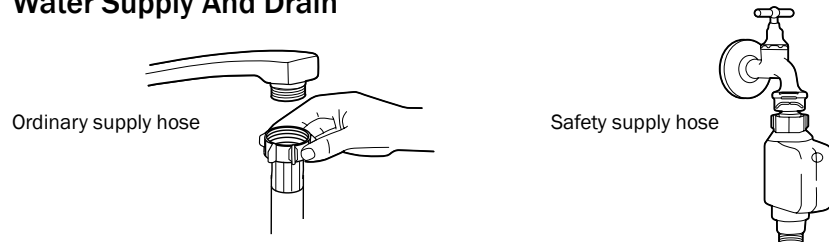
Please look at the rating label to know the rating voltage and connect the dishwasher to the appropriate power supply. Use the required fuse 10A/13A, time delay fuse or circuit breaker recommended and provide separate circuit serving only this appliance.

Electrical connection

Ensure the voltage and frequency of the power being corresponds to those on the rating plate. Only insert the plug into an electrical socket which is earthed properly. If the electrical socket to which the appliance must be connected is not appropriate for the plug, replace the socket, rather than using an adaptor or something similar as they could cause overheating and burns.

⚠ Warning! Ensure that proper earthing exists before use.

Water Supply And Drain



Cold water connection

Connect the cold water supply hose to a threaded 3/4(inch) connector and make sure that it is fastened tightly in place. If the water pipes are new or have not been used for an extended period of time, let the water run to make sure that the water is clear. This precaution is needed to avoid the risk of the water inlet to be blocked and damage the appliance.

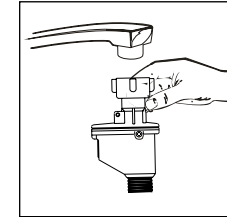
⚠ Warning: Please close the hydrant after using.

Attention:

After installation, please make sure to keep this manual for future reference. The content of this manual is very helpful to the user.

Installation Instructions

How to Connect the AQUASTOP Safety Supply Hose



The appliance must be connected to the water mains using new hose-sets. The old hose-sets should not be reused.

Water pressure must be between 0.04 MPa and 1 MPa. If the pressure is below the minimum, consult our Service Department for advice.

1. Pull the safety supply hoses completely out from storage compartment located at rear of dishwasher.
2. Tighten the screws of the safety supply hose to the faucet with thread 3/4inch.
3. Turn water fully on before starting the dishwasher.

ABOUT THE SAFETY SUPPLY HOSE

The safety supply hose consists of the double walls. The hose's system guarantees its intervention by blocking the flow of water in case of the supply hose breaking and when the air space between the supply hose itself and the outer corrugated hose is full of water.

⚠ Warning!

- A hose that attaches to a sink spray can burst if it is installed on the same water line as the dishwasher. If your sink has one, it is recommended the hose be disconnected and the hole plugged.
- Ensure the Aquastop safety supply unit is in a vertical position once installed.

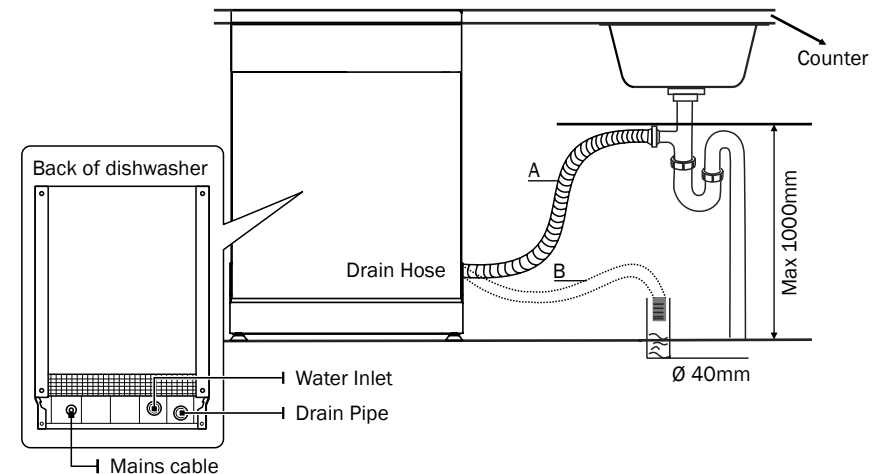
How to disconnect the safety supply hose

1. Turn off the water.
2. Unscrew the safety supply hose from the faucet.

Connection Of Drain Hoses

Insert the drain hose into a drain pipe with a minimum diameter of 4 cm, or let it run into the sink, making sure to avoid bending or crimping it. The height of drain pipe must be less than 1000mm. The free end of the hose must not be immersed in water to avoid the back flow of it.

⚠ Please securely fix the drain hose in either position A or position B.



Installation Instructions

How to drain excess water from hoses

If the sink is 1000mm higher from the floor, the excess water in hoses cannot be drained directly into the sink. It will be necessary to drain excess water from hoses into a bowl or suitable container that is held outside and lower than the sink.

Water outlet

Connect the water drain hose. The drain hose must be correctly fitted to avoid water leaks. Ensure that the water drain hose is not kinked or squashed.

Extension hose

If you need a drain hose extension, make sure to use a similar drain hose. It must be no longer than 4 meters; otherwise the cleaning effect of the dishwasher could be reduced.

Syphon connection

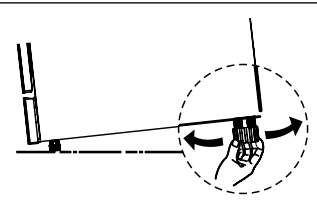
The waste connection must be at a height less than 100 cm (maximum) from the bottom of the dish. The water drain hose should be fixed .

Position The Appliance

Position the appliance in the desired location. The back should rest against the wall behind it, and the sides, along the adjacent cabinets or walls. The dishwasher is equipped with water supply and drain hoses that can be positioned either to the right or the left sides to facilitate proper installation.

Leveling the appliance

Once the appliance is positioned for leveling, the height of the dishwasher may be altered via adjustment of the screwing level of the feet.



NOTE: Only apply to the free standing dishwasher.

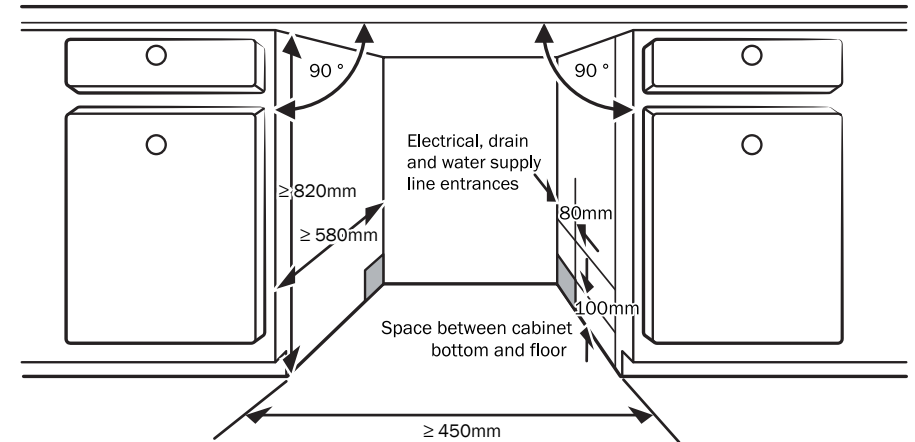
Installation Instructions

Built-In Installation (For The Integrated Model)

Step 1. Selecting the best location for the dishwasher

The installation position of dishwasher should be near the existing inlet and drain hoses and power cord. Illustrations of cabinet dimensions and installation position of the dishwasher.

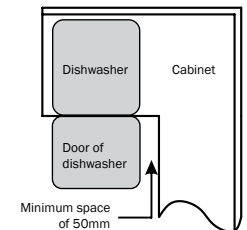
1. Less than 5 mm between the top of dishwasher and cabinet and the outer door aligned to cabinet.



2. If dishwasher is installed at the corner of the cabinet, there should be some space when the door is opened.

NOTE:

Depending on where your electrical outlet is, you may need to cut a hole in the opposite cabinet side.



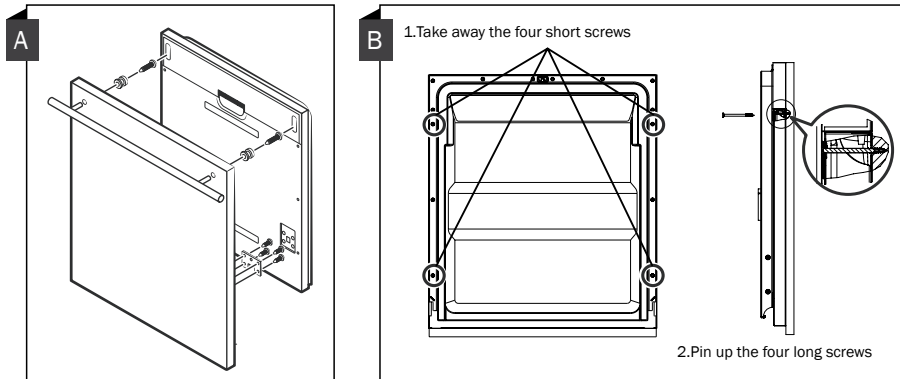
Installation Instructions

Step 2. Aesthetic panel's dimensions and installation

The aesthetic wooden panel could be processed according to the installation drawings.

Full-integrated model

Install the hook on the aesthetic wooden panel* and put the hook into the slot of the outer door of dishwasher(See figure A). After positioning of the panel, attach the panel onto the outer door by screws and bolts(See figure B).

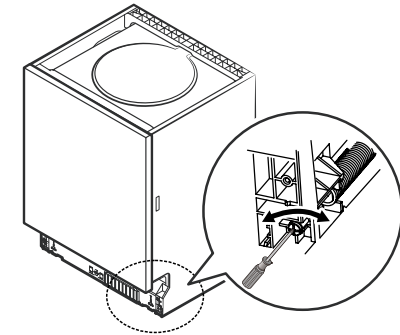


* Aesthetic wooden panel is not a supplied accessory of the dishwasher. Please contact your kitchen cabinet supplier to purchase an aesthetic wooden panel.

Installation Instructions

Step 3. Tension adjustment of the door spring

1. The door springs are set at the factory to the proper tension for the outer door. If aesthetic wooden panel are installed, you will have to adjust the door spring tension. Rotate the adjusting screw to drive the adjuster to strain or relax the steel cable.
2. Door spring tension is correct when the door remains horizontal in the fully opened position, yet rises to a close with the slight lift of a finger.

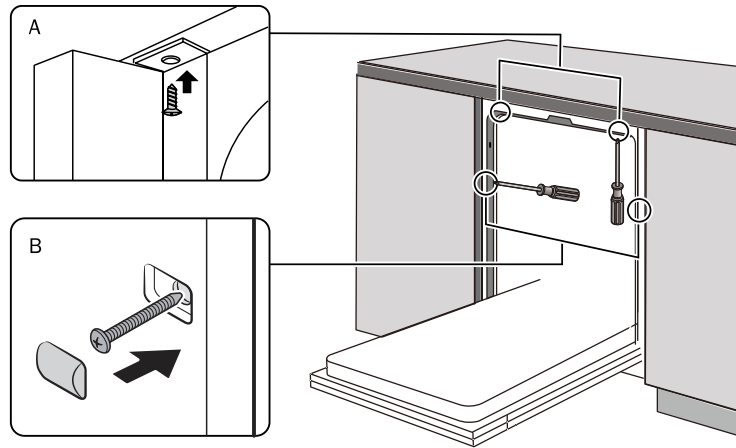


Step 4. Dishwasher installation steps

Note: Please refer to the specified installation steps in the installation drawings.

1. Affix the condensation strip under the work surface of cabinet. Please ensure the condensation strip is flush with edge of work surface.
2. Connect the inlet hose to the cold water supply.
3. Connect the drain hose.
4. Connect the power cord.
5. Place the dishwasher into position.
6. Level the dishwasher. The rear can be adjusted from the front of the dishwasher by turning the Allen screw in the middle of the base of dishwasher use an Allen key. To adjust the front feet, use a flat screw driver and turn the front feet until the dishwasher is level.
7. Install the furniture door to the outer door of the dishwasher.
8. Adjust the tension of the door springs by using an Allen key turning in a clockwise motion to tighten the left and right door springs. Failure to do this could cause damage to your dishwasher.
9. The dishwasher must be secured in place. There are two ways to do this:
 - A. Normal work surface: Put the installation hook into the slot of the side plane and secure it to the work surface with the wood screws.
 - B. Marble or granite work top: Screw on the side.

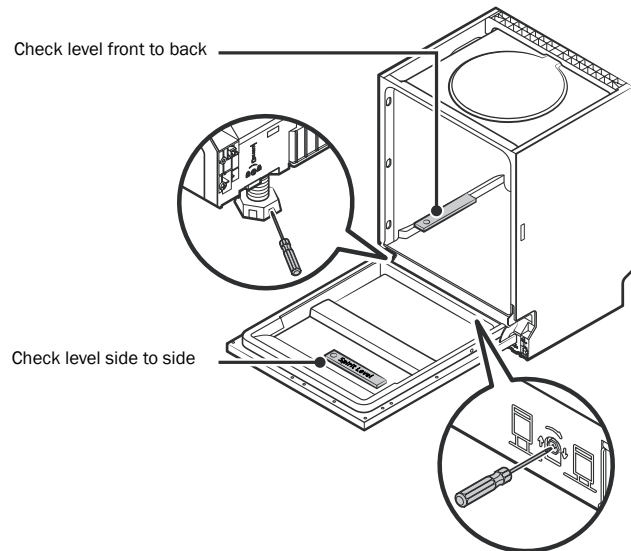
Installation Instructions



Step 5 Leveling the dishwasher

Dishwasher must be level for proper dish rack operation and wash performance.

1. Place a spirit level on door and rack track inside the tub as shown to check that the dishwasher is level.
2. Level the dishwasher by adjusting the three leveling legs individually.
3. When level the dishwasher, please pay attention not to let the dishwasher tip over.



NOTE: The height of the feet is adjustable by up to 50mm.

Troubleshooting

Before Calling for Service

Review the charts on the following pages may save you from calling for service.

Problem	Possible Causes	Solution
Dishwasher doesn't start	Dishwasher won't start	Shut the door completely and make sure it is latched
	Power supply or power line is not connected Delay Start option has been selected	Check and connect the power supply Refer to "Using Your Dishwasher" (page 28)
Dishwasher beeps at the end of the cycle	It indicates the wash cycle finished, the dishwasher will beep	
Rinse Aid light on	Rinse aid is used up	Add rinse aid
Dishwasher operates too long	The dishwasher is connected to cold water	Check the dishwasher, make sure it is properly connected to the hot water supply
	The cycle time will vary due to the soil	When heavy soil is detected, the auto, normal, pots & pan cycle will automatically increase the cycle time
	The sanitize option is selected	When sanitize option is selected, the cycle time will be increase to meet the sanitized temperature request
Dishes are not clean enough	Water pressure is temporarily low	Use your dishwasher when the water pressure is normal
	The inlet water temperature is low	Make sure the dishwasher is connected to the hot water supply Try not use your dishwasher when hot water is being used elsewhere in the house
	Dishes are loaded too close together improper use of detergent	Load the dishes again as the manual Add detergent depending on the water hardness and the cycle you chose. Use fresh detergent
	The selected cycle is not suitable for food soil condition	Choose another cycle for longer washing time
	Spray arms is blocked by some items	Make sure the spray arm is rotated freely

Troubleshooting

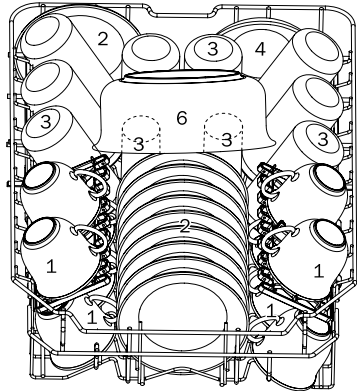
Problem	Possible Causes	Solution
Dishes not dry enough	Detergent dispenser is empty	Fill rinse aid dispenser or increase the amount of rinse aid
	Improper loading of dishes	Load the dishes again as the manual instructs
	The cycle you chose did not include the drying	Choose the proper cycle with drying
Spots and film on dishes	Water hardness is too high	For extremely hard water install a water softener
	Improper loading of dishes	Load the dishes again as the manual indicates
	Old rinse aid is used	Use fresh rinse aid
	Rinse dispenser is empty	Add rinse aid to the dispenser
	Using too much detergent	Use less detergent if you have soft water
	The inlet water temperature exceeds 70° C	Lower the inlet water temperature
Detergent left in dispenser cup	Detergent may be too old	Use fresh detergent
	Spray arm is blocked	Load the dishes, making sure the spray arms are not blocked
Detergent dispenser will not shut	Improper operation of the detergent cover	Add the detergent and rinse aid as indicated by the manual
Water remains in the dishwasher	Previous cycle has not finished or has been interrupted	Select the proper cycle explained in the manual
Dishwasher does not drain properly	Drain is clogged	Check the air gap if you have one. Make sure the disposer is empty if the dishwasher is connected to the disposer
	Drain hose is kinked	Make sure the drain hose is properly connected to the sink
Suds in the tub	Improper detergent is used	Make sure to use only the automatic dishwasher detergent
Dishwasher leaks	Excessive suds caused by using the improper detergent	Make sure to use only the proper dishwasher detergent
	Dishwasher is not level	Level the dishwasher

Troubleshooting

Problem	Possible Causes	Solution
Black or gray marks on dishes	Aluminum utensils have rubbed against dishes	Rearrange the dishes Make sure the inlet water is no less than 120H
Stained tub interior	Coffee and tea soil	Using an approved spot cleaner to remove the soil
	Reddish stain	Some tomato-based foods will cause this, use of the rinse only cycle right after loading this will decrease the staining
Noises	Detergent cup opening/ Drain pump sound	This is normal
	A hard object has entered the wash module. When the object is ground up, the sound should stop	If the noise persists after a complete cycle, call for service.
Dishwasher won't fill	Water valve is turn off	Check if the water valve is turn on
	Door latch may not be properly seated	Make sure the door is closed

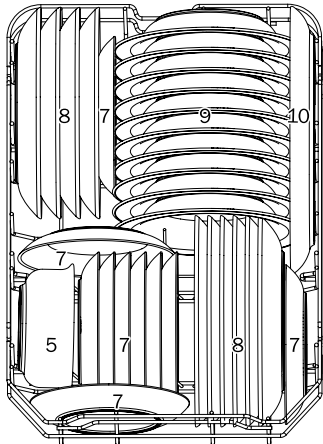
Loading The Baskets According To EN50242

1. Upper basket



Number	Item
1	Cups
2	Saucers
3	Glasses
4	Small serving bowl
5	Medium serving bowl
6	Large serving bowl

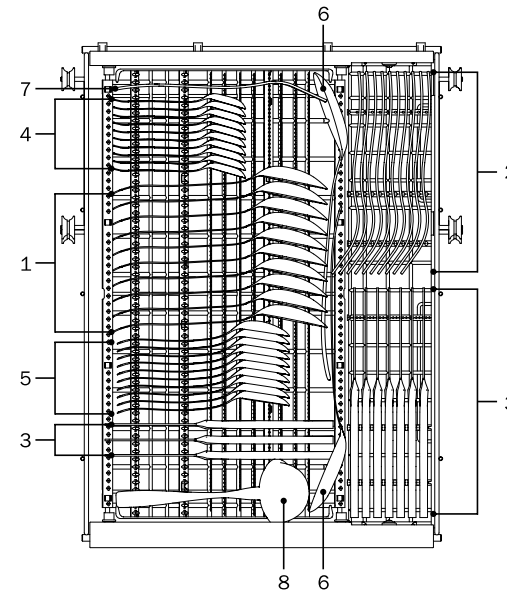
2. Lower basket



Number	Item
7	Dessert dishes
8	Dinner plates
9	Soup plates
10	Oval platter

Loading The Baskets According To EN50242

3. Cutlery basket:

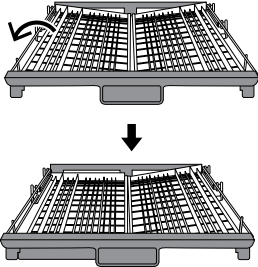
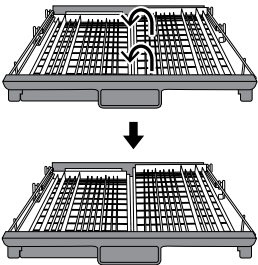
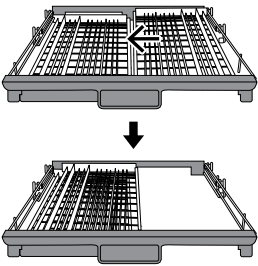
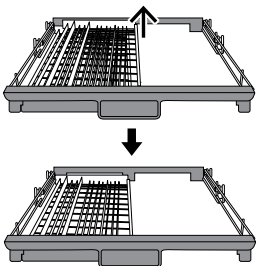


Number	Item
1	Soup spoons
2	Forks
3	Knives
4	Teaspoons
5	Dessert spoons
6	Serving spoons
7	Serving forks
8	Gravy ladles

Information for comparability tests
in accordance with EN 50242
Capacity: 10 place settings
Position of the upper basket: lower
position
Program: ECO
Rinse aid setting: 6
Softener setting: H3

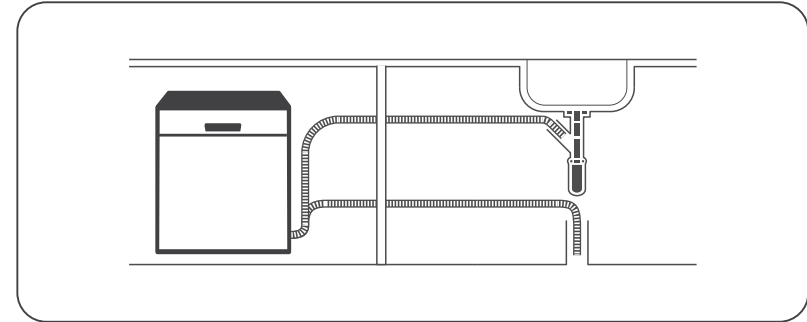
Loading The Baskets According To EN50242

Cutlery Rack Used Tips

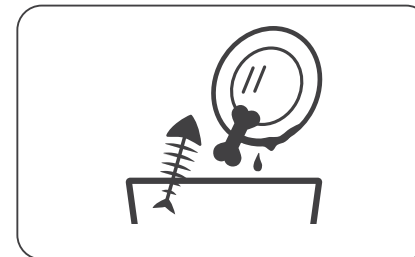
	<p>Lift the left basket up, adjust it to lower position, left basket is flat and right basket is sideling.</p>
	<p>Lift the right basket up, both left and right baskets are flat.</p>
	<p>Move the right basket from right to left, two basket are overlapping.</p>
	<p>Remove the right basket from the tray, only has the left basket.</p>

Quick User Guide

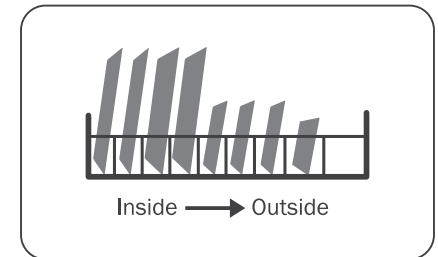
Please read the corresponding content on the instruction manual for detailed operating method.



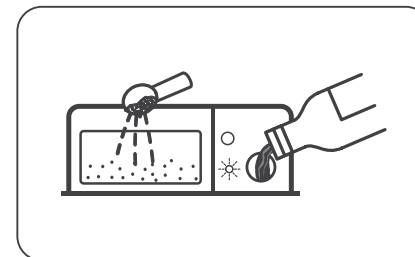
1. Install the dishwasher
(Please check the section "INSTALLATION INSTRUCTION")



2. Removing the larger residue on the cutlery



4. Loading the baskets



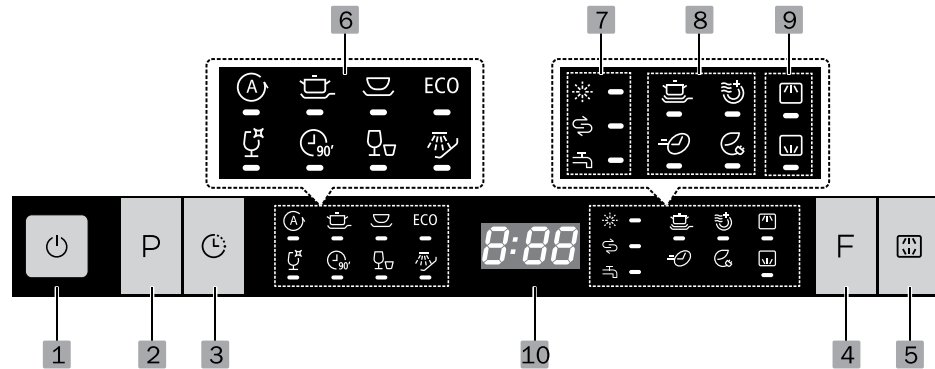
4. Filling the dispenser



5. Selecting a program and running the dishwasher

Using Your Dishwasher

Control Panel



Operation (Button)

1	Power	Press this button to turn on your dishwasher, the screen lights up.
2	Program	Press this button to select the appropriate washing program, the selected program indicator will be lit.
3	Delay	Press this button to set the delayed hours for washing. You can delay the start of washing up to 24 hours. One press on this button delays the start of washing by one hour.
4	Function	Press the button to select a function, corresponding indicator will be lit.
5	Alt	Press the button to select either upper basket or lower basket loaded, and the response indicators ([U] [L]) will be lit.

Display

6	Program indicator	Auto	For lightly, normally or heavily soiled crockery with or without dried-on food.
		Intensive	Heavily soiled items include pots and pans. With dried on food.
		Heavy	For heavy soiled loads, such as , plates, glasses and lightly soiled pans.

Using Your Dishwasher

6	Program indicator	ECO ECO	This is the standard program suitable for normally soiled loads, such as pots, plates, glasses and lightly soiled pans.
		Glass	For lightly soiled crockery and glass.
		90 Min	For normally soiled loads that need quick wash.
		Rapid	A shorter wash for lightly soiled loads that do not need drying.
		Soak	To rinse dishes that you plan to wash later that day
7	Warning Indicator	Rinse Aid	If the “” indicator is lit, it means the dishwasher is low on dishwasher rinse aid and requires a refill.
		Salt	If the “” indicator is lit, it means the dishwasher is low on dishwasher salt and needs to be refilled.
		Water Faucet	If the “” indicator is lit, it means the water faucet closed.
8	Function indicator	Power wash	To wash very dirty, hard to clean dishes. (It can only be used with Auto, Intensive, Heavy, ECO, Glass, 90min.)
		Extra drying	To dry dishes more completely. (It can only be used with Auto, Intensive, Heavy, ECO, Glass, 90min.)
		Express	Reduce the program time.
		Energy save	when you have less plates to wash ,you can choose it. (It can only be used with Auto, Intensive, Heavy, ECO, Glass, 90min.)
9	Alt indicator	Upper	When you select Upper, only the upper rack nozzle is activated. The lower nozzle will not operate.
		Lower	When you select Lower, only the lower rack nozzle is activated. The upper nozzle will not operate.
10	Screen	Screen	To show the reminding time, delay time, error code etc.

Using Your Dishwasher

Water Softener

The water softener must be set manually, using the water hardness dial.

The water softener is designed to remove minerals and salts from the water, which would have a detrimental or adverse effect on the operation of the appliance.

The more minerals there are, the harder your water is.

The softener should be adjusted according to the hardness of the water in your area.

Your local Water Authority can advise you on the hardness of the water in your area.

Adjusting salt consumption

The dishwasher is designed to allow for adjustment in the amount of salt consumed based on the hardness of the water used. This is intended to optimise and customise the level of salt consumption.

1. Switch on the appliance;
2. Press the Program button for more than 5 seconds to start the water softener, set model within 60 seconds after the appliance was switched on;
3. Press the Program button to select the proper set according to your local environment, the sets will change in the following sequence:
H1 → H2 → H3 → H4 → H5 → H6
4. Press the Power button to end the set up model.

WATER HARDNESS				Water softener level	Salt consumption (gram/cycle)
German °dH	French °fH	British °Clarke	Mmol/l		
0 - 5	0 - 9	0 - 6	0 - 0.94	H1	0
6 - 11	10 - 20	7 - 14	1.0 - 2.0	H2	9
12 - 17	21 - 30	15 - 21	2.1 - 3.0	H3	12
18 - 22	31 - 40	22 - 28	3.1 - 4.0	H4	20
23 - 34	41 - 60	29 - 42	4.1 - 6.0	H5	30
35 - 55	61 - 98	43 - 69	6.1 - 9.8	H6	60

1° dH=1.25° Clarke=1.78 °fH=0.178mmol/l

The manufactory setting: H3

Contact your local water board for information on the hardness of your water supply.

Using Your Dishwasher

NOTE:

If your model does not have any water softener, you may skip this section.

Water Softener

The hardness of the water varies from place to place. If hard water is used in the dishwasher, deposits will form on the dishes and utensils.

The appliance is equipped with a special softener that uses a salt container specifically designed to eliminate lime and minerals from the water.

Preparing And Loading Dishes

- Consider buying utensils which are identified as dishwasher-proof.
- For particular items, select a program with the lowest possible temperature.
- To prevent damage, do not take glass and cutlery out of the dishwasher immediately after the program has ended.

For washing the following cutlery/dishes

Are not suitable

- Cutlery with wooden, horn china or mother-of-pearl handles
- Plastic items that are not heat resistant
- Older cutlery with glued parts that are not temperature resistant
- Bonded cutlery items or dishes
- Pewter or cooper items
- Crystal glass
- Steel items subject to rusting
- Wooden platters
- Items made from synthetic fibres

Are of limited suitability

- Some types of glasses can become dull after a large number of washes
- Silver and aluminum parts have a tendency to discolour during washing
- Glazed patterns may fade if machine washed frequently

Using Your Dishwasher

Recommendations for loading the dishwasher

Scrape off any large amounts of leftover food. Soften remnants of burnt food in pans. It is not necessary to rinse the dishes under running water.

For best performance of the dishwasher, follow these loading guidelines.

(Features and appearance of baskets and cutlery baskets may vary from your model.)

Place objects in the dishwasher in following way:

- Items such as cups, glasses, pots/pans, etc. are faced downwards.
- Curved items, or ones with recesses, should be loaded aslant so that water can run off.
- All utensils are stacked securely and can not tip over.
- All utensils are placed in the way that the spray arms can rotate freely during washing.
- Load hollow items such as cups, glasses, pans etc. With the opening facing downwards so that water cannot collect in the container or a deep base.
- Dishes and items of cutlery must not lie inside one another, or cover each other.
- To avoid damage, glasses should not touch one another.
- The upper basket is designed to hold more delicate and lighter dishware such as glasses, coffee and tea cups.
- Long bladed knives stored in an upright position are a potential hazard!
- Long and / or sharp items of cutlery such as carving knives must be positioned horizontally in the upper basket.
- Please do not overload your dishwasher. This is important for good results and for reasonable consumption of energy.

NOTE:

Very small items should not be washed in the dishwasher as they could easily fall out of the basket.

Removing the dishes

To prevent water dripping from the upper basket into the lower basket, we recommend that you empty the lower basket first, followed by the upper basket.



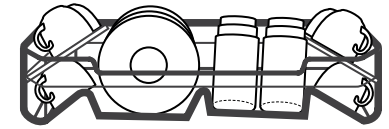
Warning !

Items will be hot! To prevent damage, do not take glass and cutlery out of the dishwasher for around 15 minutes after the program has ended.

Using Your Dishwasher

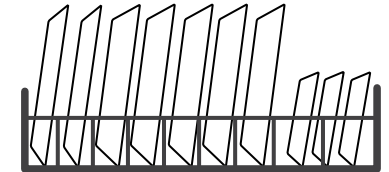
Loading the upper basket

The upper basket is designed to hold more delicate and lighter dishware such as glasses, coffee and tea cups and saucers, as well as plates, small bowls and shallow pans (as long as they are not too dirty). Position the dishes and cookware so that they will not get moved by the spray of water.



Loading the lower basket

We suggest that you place large items and the most difficult to clean items are to be placed into the lower basket: such as pots, pans, lids, serving dishes and bowls, as shown in the figure below. It is preferable to place serving dishes and lids on the side of the racks in order to avoid blocking the rotation of the top spray arm. The maximum diameter advised for plates in front of the detergent dispenser is of 19 cm, this not to hamper the opening of it.



Loading the cutlery basket

Cutlery should be placed in the cutlery rack separately from each other in the appropriate positions, and do make sure the utensils do not nest together, this may cause bad performance.



Warning !

Do not let any item extend through the bottom.
Always load sharp utensils with the sharp point down!

Using Your Dishwasher

Function Of The Rinse Aid And Detergent

The rinse aid is released during the final rinse to prevent water from forming droplets on your dishes, which can leave spots and streaks. It also improves drying by allowing water to roll off the dishes. Your dishwasher is designed to use liquid rinse aids.

⚠ Warning !

Only use branded rinse aid for dishwasher. Never fill the rinse aid dispenser with any other substances (e.g. Dishwasher cleaning agent, liquid detergent). This would damage the appliance.

When to refill the rinse aid dispenser

Unless the rinse-aid warning light (✨) on the control panel is on, you can always estimate the amount from the color of the optical level indicator located next to the cap. When the rinse-aid container is full, the indicator will be fully dark. The size of the dark dot decreases as the rinse-aid diminishes. You should never let the rinse aid level be less than 1/4 full.

As the rinse aid diminishes, the size of the black dot on the rinse aid level indicator changes, as illustrated below.

● Full ● 3/4 full ● 1/2 full ● 1/4 full ○ Empty


Function of detergent

The chemical ingredients that compose the detergent are necessary to remove, crush and dispense all dirt out of the dishwasher. Most of the commercial quality detergents are suitable for this purpose.

⚠ Warning !

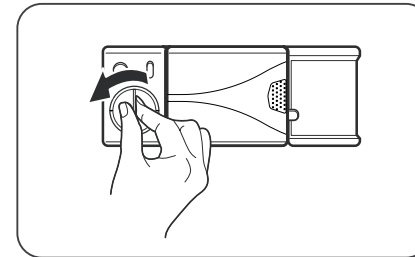
• Proper Use of Detergent

Use only detergent specifically made for dishwashers use. Keep your detergent fresh and dry. Don't put powdered detergent into the dispenser until you are ready to wash dishes.

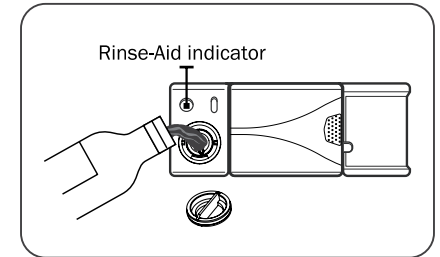
•  **Dishwasher detergent is corrosive! Keep dishwasher detergent out of the reach of children.**

Using Your Dishwasher

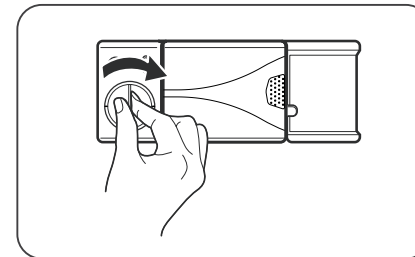
Filling The Rinse Aid Reservoir



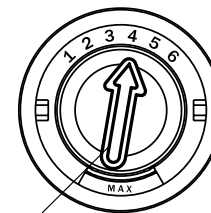
1. Remove the rinse aid reservoir cap by rotating it counterclockwise.



2. Pour the rinse aid into the dispenser, being careful not to overfill.



3. Close the rinse aid reservoir cap by rotating it clockwise.

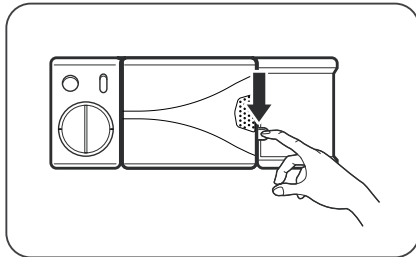


Adjusting the rinse aid reservoir

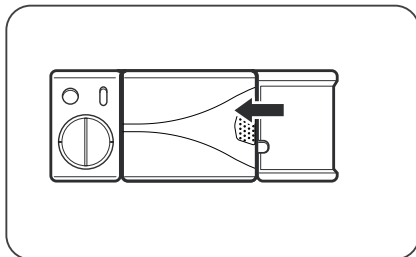
Turn the rinse aid indicator dial to a number between 1 and 6. The higher the number, the more rinse aid the dishwasher uses. If the dishes are not drying properly or are spotted, adjust the dial to the next higher number until your dishes are spot-free. Reduce it if there are sticky whitish stains on your dishes or a bluish film on glassware or knife blades.

Using Your Dishwasher

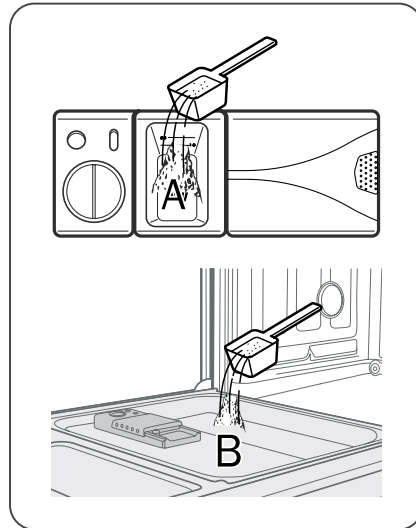
Filling The Detergent Dispenser



1. Open the detergent dispenser flap by pushing the detergent dispenser release catch.



3. Close the flap by sliding it to the left and then pressing it down.



2. Add detergent into the larger cavity (A) for the main wash cycle. For better cleaning result, especially if you have very dirt items, pour a small amount of detergent onto the door. The additional detergent will activate during the pre-wash phase.

NOTE:

Be aware that depending on the soiling of water, setting may be different. Please observe the manufacturer's recommendations on the detergent packaging.

Programming The Dishwasher

Wash Cycle Table

The table below shows which programs are best for the levels of food residue on them and how much detergent is needed. It also show various information about the programs.

● Means: need to fill rinse into the Rinse-Aid Dispenser.

Program	Description Of Cycle	Detergent Pre/Main	Running Time (min)	Energy (kWh)	Water (L)	Rinse Aid
Auto	Prewash (45 °C) Wash (45-55 °C) Rinse Rinse (65 °C) Drying	3/22g (1or 2 pieces)	150	0.9-1.3	9.5-13	●
Intensive	Prewash (50 °C) Wash (60 °C) Rinse Rinse (70 °C) Drying	3/22g (1or 2 pieces)	170	1.4	15.5	●
Heavy	Prewash (45 °C) Wash (55 °C) Rinse Rinse (65 °C) Drying	3/22g (1or 2 pieces)	180	1.1	12	●
ECO ECO	Prewash Wash (45 °C) Rinse (58 °C) Drying	3/22g (1or 2 pieces)	205	0.66	8	●
Glass	Prewash Wash (40 °C) Rinse Rinse (60 °C) Drying	3/22g (1 piece)	125	0.75	12	●
90 Min	Wash (65 °C) Rinse Rinse (65 °C) Drying	25g (1 piece)	90	1.15	11.5	●
Rapid	Wash (45 °C) Rinse (50 °C) Rinse (55 °C)	20g	30	0.7	10	○
Soak	Prewash	-	15	0.02	3.5	○

NOTE:

EN 50242: This program is the test cycle. The information for comparability test in accordance with EN 50242.

Programming The Dishwasher

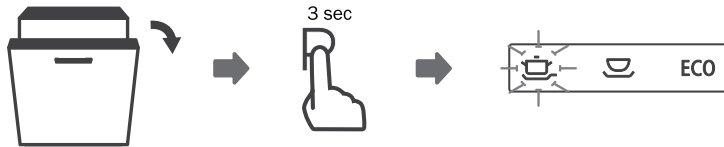
Starting A Cycle Wash

1. Draw out the lower and upper basket, load the dishes and push them back.
It is commended to load the lower basket first, then the upper one.
2. Pour in the detergent.
3. Insert the plug into the socket. The power supply refer to "Technical Specifications".
Make sure that the water supply is turned on to full pressure.
4. Open the door, touch the Power button.
5. Choose a program, the response light will turn on. Then close the door, the dishwasher will start its cycle.

Changing The Program Mid-cycle

A wash cycle can only be changed if it has been running for a short time otherwise, the detergent may have already been released and the dishwasher may have already drained the wash water. If this is the case, the dishwasher needs to be reset and the detergent dispenser must be refilled. To reset the dishwasher, follow the instructions below:

1. Open the door a little to stop the dishwasher, after the spray arm stop working, you can open the door completely.
2. Press Program button more than three seconds the machine will be in stand by state.
3. You can change the program to the desired cycle setting.

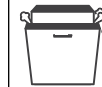
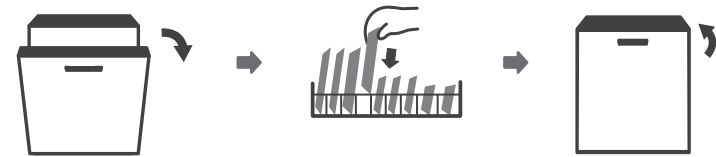


Programming The Dishwasher

Forget To Add A Dish?

A forgotten dish can be added any time before the detergent dispenser opens. If this is the case, follow the instructions below:

1. Open the door a little to stop the washing.
2. After the spray arms stop working, you can open the door completely.
3. Add the forgotten dishes.
4. Close the door.
5. The dishwasher will start running again.



Warning !

It is dangerous to open the door mid-cycle, as hot steam may scald you.

Error Codes

If there is a malfunction, the dishwasher will display error codes to identify these:

Codes	Meanings	Possible Causes
E1	Longer inlet time.	Faucets is not opened, or water intake is restricted, or water pressure is too low.
E3	Not reaching required temperature.	Malfunction of heating element.
E4	Overflow.	Some element of dishwasher leaks.
E8	Failure of orientation of distributary valve.	Open circuit or break of distributary valve.
E9	Keep pressing a button more than 30 seconds.	Water or something on the button.

⚠ Warning !

- If overflow occurs, turn off the main water supply before calling a service.
- If there is water in the base pan because of an overflow or small leak, the water should be removed before restarting the dishwasher.

Technical Specifications

Model No.	DWH-221
Rated Voltage/Frequency	220-240V / 50Hz
Rated Power (Max)	1930W
Standard Place Settings	10
Energy Consumption per Washing Cycle	0.66kWh
Water Consumption per Washing Cycle	8L
Energy Efficiency Class ¹	A+++
Noise Level	44dB(A)
Product Dimensions	(H)815 (W)448 (D)550 mm
Installation Dimensions	(H) ≥ 820 (W) ≥ 450 (D) ≥ 580 mm
Net Weight	39.5kg
Gross Weight with Packaging	40.5kg

Specifications are subject to change without prior notice.

If there is any inconsistency or ambiguity between the English version and the Chinese version, the English version shall prevail.

Refer to www.germanpool.com for the most up-to-date version of the User Manual.

NOTE:

1. A + + + (highest efficiency) to D (lowest efficiency)

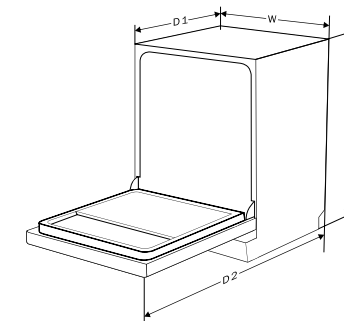
The device meets the European standards and the directives in the current version at delivery (If the version number is not in conformity with the latest standards, please refer to the latest version number.):

- LVD 2014/35/EU
- EMC 2014/30/EU
- ERP 2009/125/EC

The above values have been measured in accordance with standards under specified operating conditions. Results may vary greatly according to quantity and pollution of the dishes, water hardness, amount of detergent, etc.

The above info in this manual is based on the European Union's standards and rules.

Height (H)	815mm
Width (W)	448mm
Depth (D1)	550mm (with the door closed)
Depth (D2)	1150mm (with the door opened 90°)



目錄

安全注意事項	44
產品結構	46
操作說明	47
填充專用鹽	
餐具籃使用指南	
清潔與保養	50
外部清潔	
內部清潔	
保養洗碗碟機	
安裝說明	53
電源連接	
水管的連接和排水	
連接排水軟管	
安置洗碗碟機	
嵌入式安裝	
常見故障及處理	60
依據EN50242標準裝載餐具籃	61

目錄

快速用戶指南	64
使用洗碗碟機	65
控制面板	
操作 (按鈕)	
指示燈	
軟水器	
準備和裝載碗碟	
助乾劑和洗滌劑的功能	
填充助乾劑艙	
填充洗滌劑艙	
設置洗碗碟機程式	74
洗滌週期表	
開始週期清洗	
在週期中途改變程式	
忘記添加一個餐具?	
錯誤代碼	77
技術規格	78
保用條款	79

安全注意事項

▲警告！使用本機時，請遵循以下注意事項：

- 本機僅供家用和類似用途，如：
 - 商店、辦公室和其他工作環境中的員工廚房；
 - 農場；
 - 酒店、汽車旅館和其他居住環境的顧客；
 - 家庭旅館型環境。
- 本產品可由8歲及以上年齡的兒童以及肢體不健全、感覺或精神上有障礙或缺乏相關經驗和知識的人士使用，但前提是有人對他們使用本產品進行監督或指導，以確保他們安全使用，並且讓他們明白相關的危險。不得讓兒童玩耍本產品。不要讓兒童在無人監督的情況下進行清潔和保養。
- 本產品不適宜由肢體不健全、感覺或精神上有障礙或缺乏相關經驗和知識的人（包括兒童）使用，除非有負責他們安全的人對他們使用本產品進行監督或指導。照看好兒童，確保他們不玩耍該產品。
- 包裝材料可能會對兒童造成危險！
- 本機僅適合在室內使用，且僅供家用。
- 為了防止觸電危險，請勿將本機、電源線及插頭浸入水中或其他液體中。
- 清潔和保養本機前，請拔掉電源插頭。
- 請使用柔軟的濕布蘸溫和的番梘液清洗本機，然後使用乾布擦拭乾淨。

接地說明

- 洗碗碟機必須接地線。出現故障和損壞時，地線由於其電阻極低可以降低觸電風險。洗碗碟機的電源線帶有接地導體和接地插頭。
- 電源插頭必須接入與之匹配且安裝和接地符合當地規定和要求的插座。
- 接地端連接不正確可能導致觸電危險。
- 如不能確定本機是否正確接地，請讓合資格的電工或服務部門檢查確定。
- 如果洗碗碟機的隨機電源插頭與插座不匹配，請勿更改電源插頭。
- 由專業電工安裝合適的電源插座。
- 請勿暴力打開洗碗碟機的門及碗架，並不得坐在或站立在門及碗架上。
- 洗碗碟機未安裝好，請勿運行本機。
- 洗碗碟機運行完畢時，須小心打開洗碗碟機門，蒸氣和水有可能噴出。
- 洗碗碟機的門打開時，請勿將任何重物放在門上。
- 裝載餐具籃時：
 - 1) 不要讓鋒利的器具刮傷櫃門密封條；
 - 2) 警告：刀和其他鋒利的用具必須裝在籃子裡，並且尖端朝下或水平放置。

安全注意事項

- 部分洗滌劑屬強鹼類，若誤食該類洗滌劑可能危害人體。打開洗碗碟機門時應留意，避免皮膚或眼睛接觸洗滌劑，兒童應遠離洗碗碟機。
- 洗碗碟機運行完畢後，請確認洗滌劑已用完。
- 請勿用本機洗塑膠物品，除非有標明它們可用於洗碗碟機。
- 如要清洗標示不清晰的塑膠物品，請查看製造商的清洗建議。
- 請使用洗碗碟機專用的洗滌劑和助洗劑。
- 番梘、洗衣粉或洗手液不得用於碗碟機。
- 應監管兒童，確保他們不玩弄本機。
- 門不應一直敞開，這會增加翻倒風險。
如果電源線損壞，為了避免危險，必須由製造商、其維修部或類似部門的專業人員更換。
- 安裝時，請不要過分彎曲或擠壓電源線。
- 請勿隨意更改電路板的連接。
- 應使用新軟管將本機連接到水源，不應重複使用舊軟管。
- 為節約能源，若待機狀態下30分鐘內不進行任何操作，洗碗碟機將自動關閉。

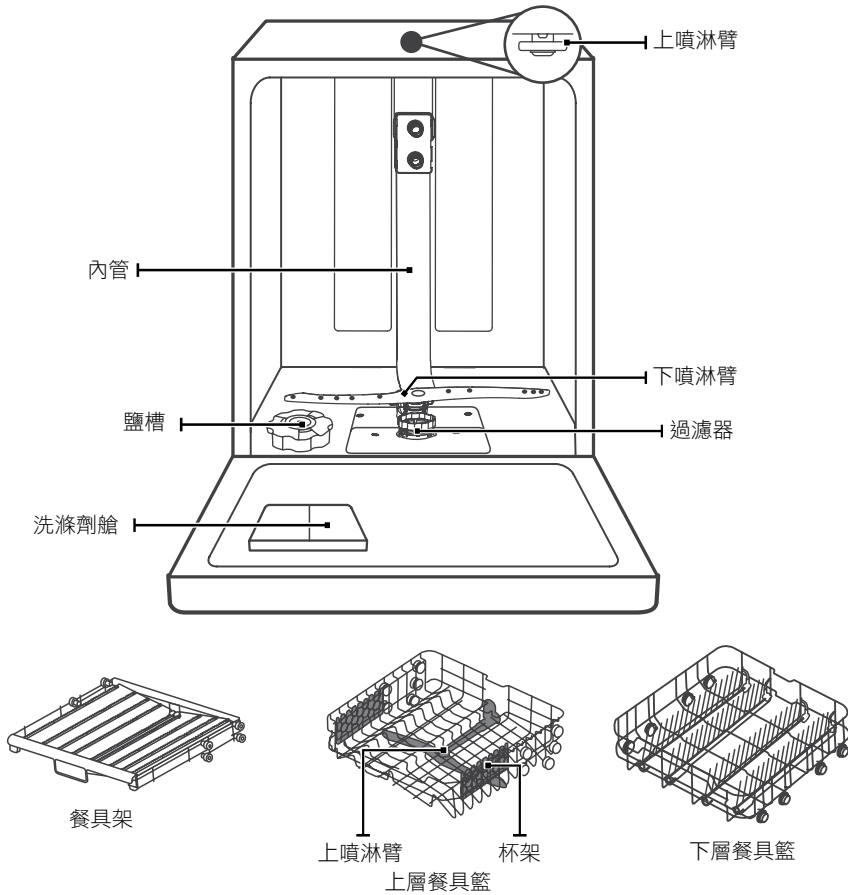
廢舊物品處理

- 請將包裝材料和本產品放到回收中心處理。剪斷電源線並破壞洗碗碟機門，使得本產品無法使用。
- 包裝紙板用再生紙製造而成，應當放到廢紙收集點進行回收。此產品的正確處理，有助於防止由於不正確處理產品而帶來的對環境、人體健康的危害。有關回收本產品的更多詳細資訊，請諮詢地方行業機構、生活垃圾回收服務點或購買該產品的商店。



產品結構

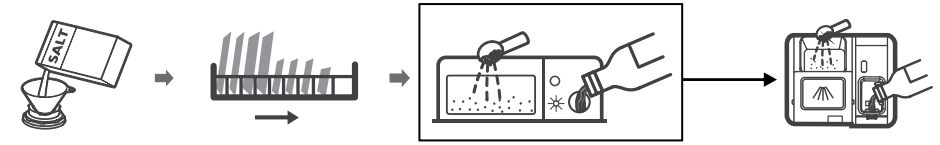
▲重要：為了更好地使用洗碗碟機，初次使用洗碗碟機時，請仔細閱讀所有操作說明。



圖片只供參考，實際產品視乎不同型號或會有所不同。

操作說明

使用洗碗碟機前：



- A. 設置軟水器。
- B. 加入1.5千克洗碗碟機專用鹽，然後將鹽槽裝滿水。
- C. 填充助乾劑。
- D. 填充洗滌劑。

觀看操作視頻



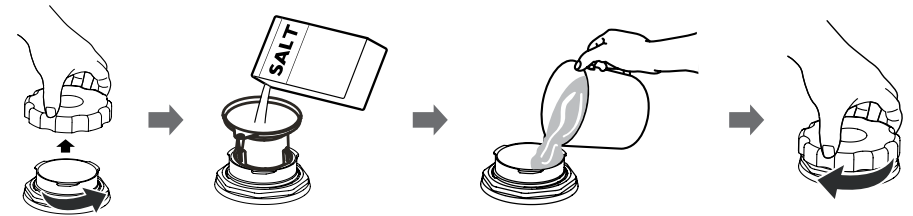
填充專用鹽

注意：如果您的洗碗碟機型號不含軟水器，可跳過本節。
請務必使用洗碗碟機專用鹽。
鹽槽位於下層餐具籃下方，應按照以下說明填充：

▲警告！

- 只能使用洗碗碟機專用鹽！其他類型的非洗碗碟機專用鹽，尤其是食鹽，都會損壞軟水器。如果因使用不合適的鹽而導致本機損壞，製造商不承擔任何保修責任，也不對由此造成的任何損害承擔責任。
- 加完鹽後必須立即運行一個洗滌程式沖洗機器，以防溢出的鹽粒或鹽水停留在本機上進而腐蝕本機。

請按照以下說明填充專用鹽：



操作說明

1. 取出下層餐具籃後，擰開並取出鹽槽蓋。
2. 將鹽斗（隨機配備）下端放入鹽槽，倒入約1.5kg洗碗碟機專用鹽。
3. 鹽槽注滿水。有少量水從鹽槽中流出為正常現象。
4. 填充鹽槽後，擰緊鹽槽蓋。
5. 鹽槽裝滿鹽後，鹽警告指示燈熄滅。
6. 加完鹽後馬上運行一個洗滌程式（建議運行時間較短的程式），否則溢出的鹽水可能會腐蝕過濾系統、泵和其他重要部件等。由此造成的損壞不在保修範圍內。

注意：

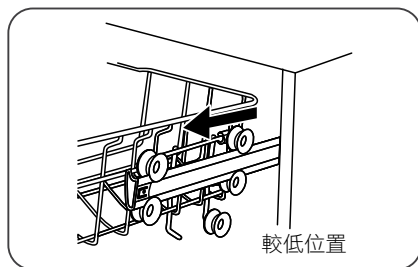
- 控制面板上的鹽警告指示燈亮起時，才能重新加鹽。
根據鹽溶解的程度，即使鹽槽注滿，鹽警告指示燈仍可能亮著。
如果控制面板中沒有鹽警告指示燈（某些型號），則可以通過洗碗碟機已運行的週期來估計何時將鹽注入軟水器。
- 如果有鹽溢出，應運行浸泡或快洗程式以去除過多的鹽。
- 軟水器的設置可以參考67頁。

餐具籃使用指南

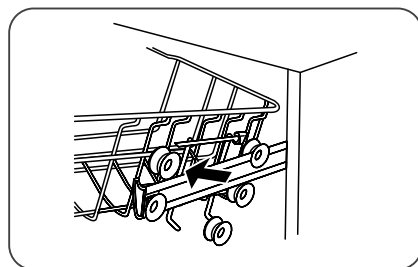
調節上層餐具籃

上層餐具籃的高度可以調節，以便給上或下層餐具籃置放較大件器具時留出更多空間。

請按照以下步驟調整上層餐具籃：

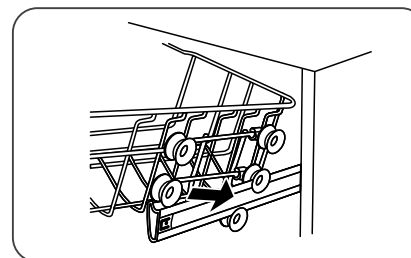


1. 拉出上層餐具籃。

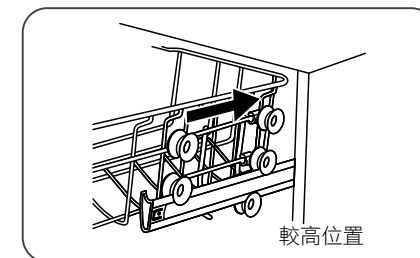


2. 取出上層餐具籃。

操作說明



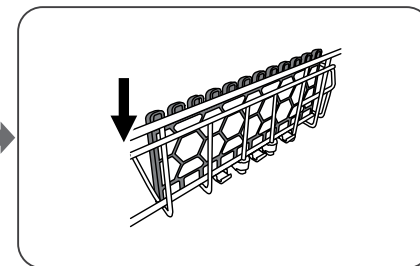
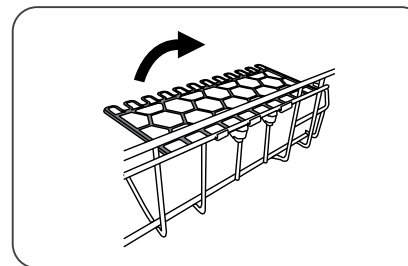
3. 將上層餐具籃重新放在上方或下方的導軌上。



4. 將上層餐具籃推入即可。

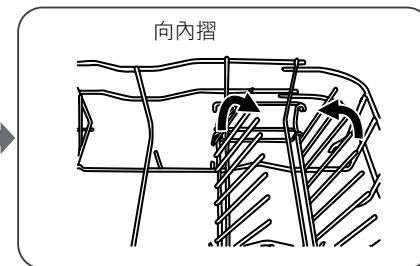
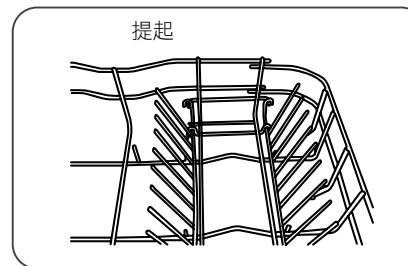
折疊杯架

於餐具籃內放置較高器具時，可以向上提起杯架，然後將杯架豎起放置。較高的玻璃杯可倚靠杯架放置。不使用時可將杯架拆除。



餐具籃折疊釘

折疊釘用於固定放置鍋碗瓢盆。清洗大件物件時可向下折起折疊釘。



清潔與保養

外部清潔

清潔洗碗碟機門及密封條

應定期用蘸濕的布清潔門密封條，以清除食物殘渣。

裝載碗碟至洗碗碟機時，食物和飲料殘留物可能滴落到洗碗碟機門的側面，該位置在洗碗櫃的外面並且噴淋臂中的水無法沖洗。在門關閉之前，必須清理所有殘渣。



控制面板

只能使用輕微蘸濕的布清潔控制面板。

▲ 警告：

- 為避免水滲入門鎖和電器元件，請勿使用任何噴霧清潔劑。
- 不得使用研磨清潔劑、百潔布擦拭機器表面，否則會刮傷表面塗層。部分紙巾擦拭時亦會刮花表面或留下斑點。

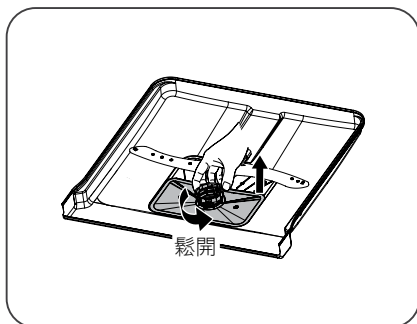
內部清潔

過濾系統

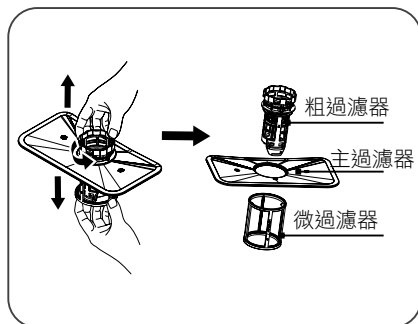
洗碗碟機底部的過濾系統有效清除洗滌水中的食物顆粒。食物或其他物品的殘留物有可能堵塞過濾網。應定期檢查，必要時應將過濾器放在水流下沖洗。請按以下步驟進行清潔：

注意：

圖片僅供參考，不同型號產品的過濾系統和噴淋臂有可能不同。請以實物為準。

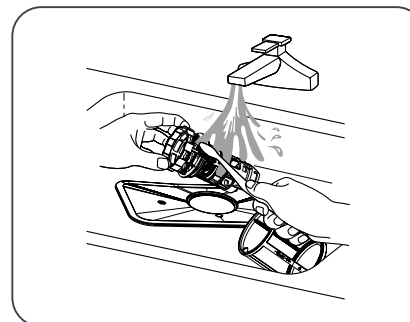


1. 握住粗過濾器，逆時針旋轉以鬆開過濾網。將過濾網向上提起並拔出。

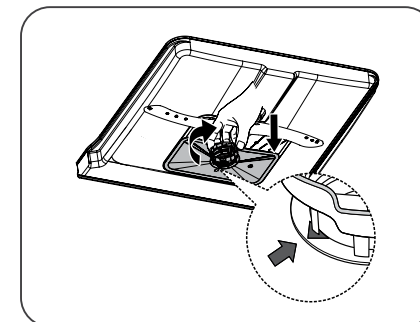


2. 微過濾器可從過濾系統組件底部拉出。輕輕按住頂部的把手即可從主過濾器中取出粗過濾器。

清潔與保養



3. 可將過濾器放在水流下沖洗以清除大塊食物殘渣。可使用軟的清潔刷進行徹底清潔。



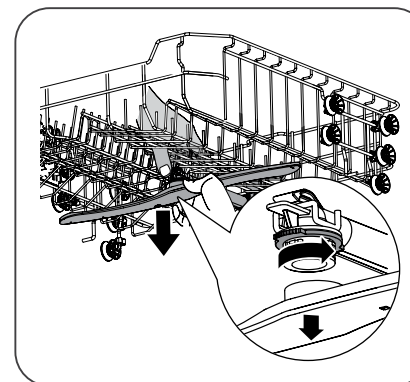
4. 按上述拆卸相反順序重新安裝過濾器組件，順時針旋轉以鎖定過濾器。

▲ 警告：

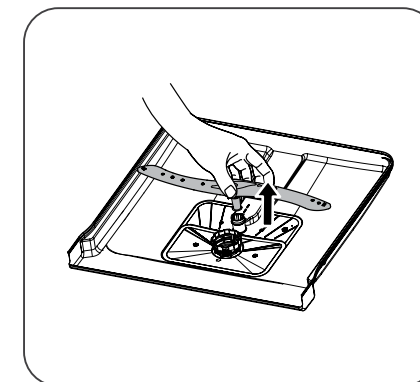
- 請勿過度擰緊過濾器。應按順序依次安裝過濾器，否則食物殘渣會進入系統並造成堵塞。
- 未安裝過濾器前，切勿運行本機。過濾器更換不當會降低本機的性能，甚至損壞餐具。

清潔噴淋臂

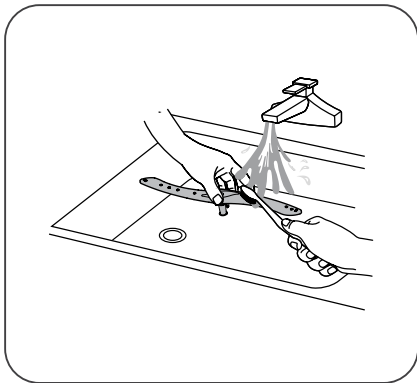
由於硬水中的化學物質會堵塞噴淋臂的噴嘴和軸承，有必要定期清潔噴淋臂。請按下述步驟進行清潔：



1. 握住中間的噴淋臂螺母，逆時針旋轉取出上噴淋臂。



2. 向上提拉噴淋臂取出下噴淋臂。



3. 將噴淋臂放入溫番梘水中清洗，並使用軟刷清潔噴嘴。徹底沖洗乾淨後將其裝回原處。

保養洗碗碟機

防凍

在冬天，請採取防凍措施保護洗碗碟機。每次洗滌結束後，請按以下內容操作：

1. 切斷洗碗碟機電源。
2. 關閉水源，並斷開進水管與進水閥之間的連接。
3. 將進水管和進水閥中的水排盡。（用一個盆子將水接住）。
4. 重新將進水管和進水閥連接上。
5. 將過濾器從集水盆底部取出，用海綿將集汙槽裡的水吸乾。

每次洗滌結束後

每次洗滌結束後，關掉水源，稍微打開洗碗碟機門，以便機內水氣和氣味散開。

拔掉電源插頭

清潔及保養本機前，應始終先拔掉電源插頭。

禁用溶劑和磨損性清潔用品

清潔本機表面和橡膠部件時，請勿使用溶劑或磨損性清潔用品。

僅可使用布蘸溫番梘水擦拭。

清理機器內部表面上的斑點或污漬時，可以用布蘸取帶有少量白醋或洗碗碟機專用清潔劑的水來清除。

長時間不用時

建議清空洗碗碟機，空載運行一個洗滌程式，然後從插座上拔下電源插頭，關閉水源並將洗碗碟機門打開一條縫。這樣有助延長門封的使用壽命，並防止洗碗碟機內產生氣味。

移動洗碗碟機

如需要移動本機時，請儘量保持本機垂直移動。如非絕對必要，不可將本機背面朝下直立移動。

觀看操作視頻



▲ 警告

觸電危險

安裝洗碗碟機時要斷開電源。
否則可能會導致觸電危險，甚至死亡。

注意：

水管及電氣裝置應由專業人員安裝！

電源連接

▲ 警告！

為了人身安全：

- 本機請勿使用延長線或轉接插頭。
- 任何情況下均不可切斷或移開接地。

電氣要求

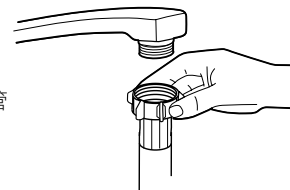
查看銘牌資訊以瞭解額定電壓，將洗碗碟機連接至合適的電源。使用規定的10安培/13安培保險絲，延時保險絲或推薦的斷路器，並提供僅供本機使用的線路。

電氣連接

確保電源電壓和頻率與銘牌上標示的電壓和頻率相符。只能將插頭插入正確接地的電源插座。如果電源插座不匹配電源插頭，請更換插座，而不能使用適配器或類似產品，否則可能會導致過熱和灼傷。

▲ 警告！使用前確保正確接地。

水管的連接和排水



普通供水軟管



安全供水軟管

冷水連接

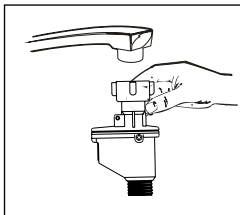
將冷水供應軟管連接到3/4（英寸）螺紋接頭，並確保其緊固到位。如果水管是新的或長時間未曾使用，讓水在其中流動以確保水質清澈無雜質。如果不採取這種預防措施，則進水口可能會堵塞，甚至損壞機器。

▲ 警告：使用後請關閉水龍頭。

注意：安裝後請妥善保存本說明書以備用，本說明書內容將對用戶有極大幫助。

安裝說明

如何連接安全供水軟管



本機必須用新軟管連接到水源，不可重複使用舊軟管。水壓必須在0.04MPa和1MPa之間。如果水壓低於最小進水壓力，請諮詢我們的客戶服務中心。

1. 從本機背面的置物艙將安全供水軟管完全取出。
2. 將安全供水軟管的螺絲連接到3/4英寸螺紋並擰緊。
3. 啟動洗碗碟機之前，將水龍頭完全打開。

關於安全供水軟管

安全供水軟管採用雙層設計。供水軟管破裂及供水軟管和外螺紋膠管之間的空隙充滿水時，軟管機制可阻擋水流，從而保證供水安全。

警告！

- 如果一根連接到水槽噴嘴的軟管安裝到與洗碗碟機相同的水管線上，軟管可能會爆裂。如果您的水槽已有一個軟管，建議斷開軟管並堵住開孔。
- 請確保安全供水軟管安裝後處於垂直位置。

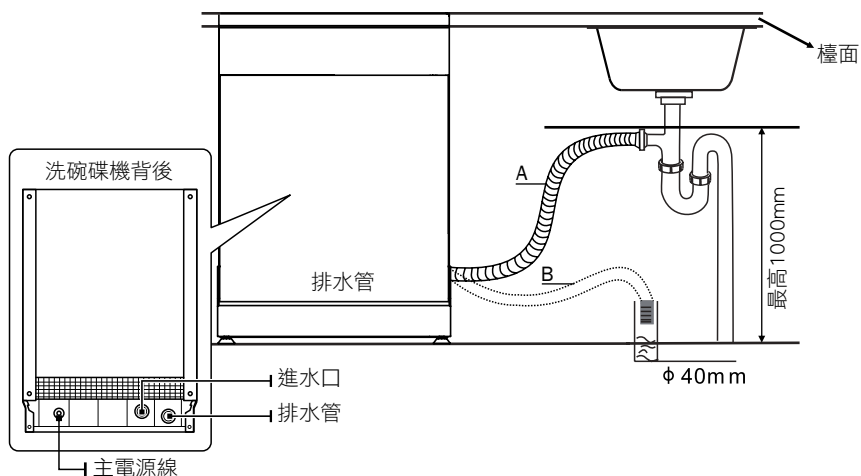
如何斷開安全供水軟管

1. 關掉水龍頭。
2. 擰開水龍頭上的安全供水軟管。

連接排水軟管

將排水軟管連接到直徑至少為40mm的排水管，或將其放入水槽中，確保排水軟管不彎曲或捲曲。排水軟管出水口高度應低於1000mm。排水管的活動端應避免浸入水中，以免回流。

▲ 排水管安裝到A或B任一位置。



安裝說明

如何排掉軟管中多餘的水

如果水槽高於地面1000mm，軟管中多餘的水不會直接排入水槽。有必要將多餘的水從軟管中排到一個外置且低於水槽的碗或其他適當容器中。

排水管

連接排水管。務必正確安裝排水管，以防漏水。確保進水管沒有彎折或擠壓。

延長管

如果需要延長排水管，請使用類似排水管。而且排水管的長度不得超過4米，否則將會降低洗碗碟機的洗滌效果。

彎管連接

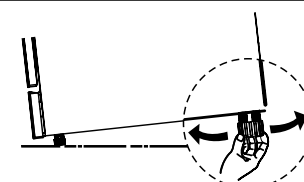
排水軟管出水口高度應低於1000mm。

安置洗碗碟機

將洗碗碟機放置在所需位置。洗碗碟機背面應靠在牆上，側面沿著相鄰的櫥櫃或牆壁。洗碗碟機配有進水和排水軟管，可以安置在右側或左側，以便於正確安裝。

調整洗碗碟機水平

洗碗碟機水平放置後，可通過調節腳調整洗碗碟機高度。



注意：僅針對獨立式安裝的洗碗碟機。

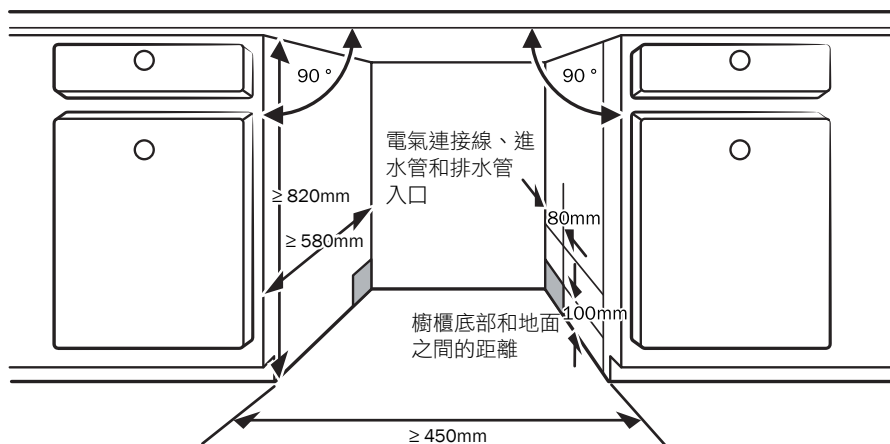
嵌入式安裝（針對完全嵌入式洗碗碟機）

第一步：選擇最佳安裝位置

洗碗碟機的安裝位置應靠近現有的進/出水管位置和電源線。

櫥櫃尺寸和洗碗碟機安裝位置圖

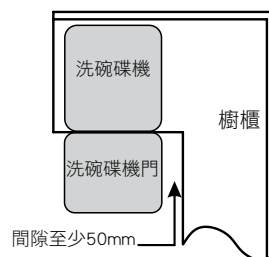
1. 洗碗碟機頂部、櫥櫃以及與櫥櫃對齊的外門，三者之間的距離各應不少於5mm。



2. 如果洗碗碟機安裝在櫥櫃的角落，其位置應保證洗碗碟機門打開時仍有些許空間。

注意：

根據電源插座的位置，您可能需要在相應的櫥櫃側面開孔。

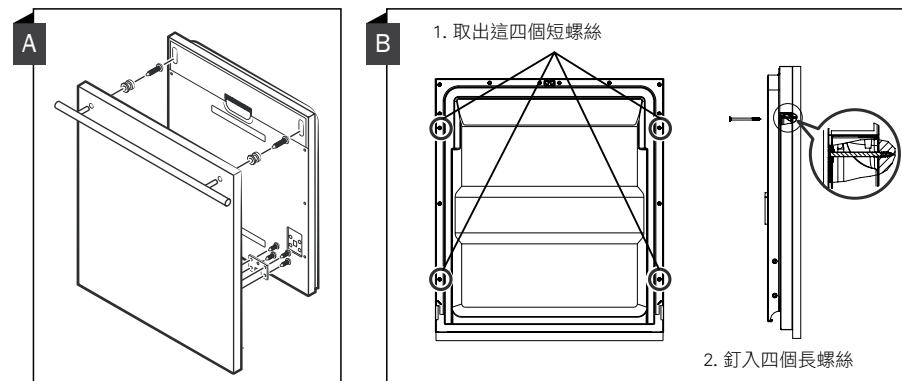


第二步：裝飾門板尺寸和安裝

可按照安裝圖所示加工木製裝飾門板。

完全嵌入式洗碗碟機

將掛鉤插入裝飾門板*，再裝入洗碗碟機外門上的插槽（見圖A）。門板位置放好後，用螺絲和螺栓將門板固定在外門上（見圖B）。

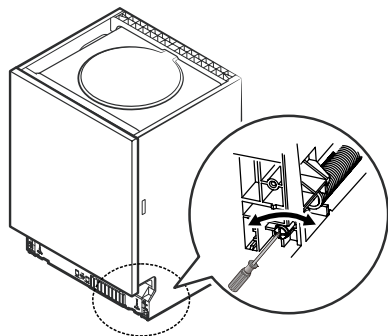


* 裝飾門板並非隨機配備，請聯繫閣下的櫥櫃供應商配套裝飾門板。

安裝說明

第三步：門板彈簧張力調節

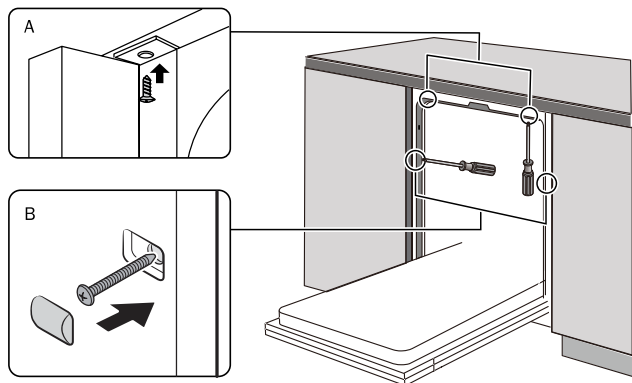
1. 出廠時，門板彈簧已調至適合外門。如果安裝木製裝飾門板，則必須重新調整門板彈簧。轉動調節螺絲，使調節器拉緊或放鬆鋼絲。
2. 洗碗碟機門完全打開時，保持水平位置，而用手指略微抬起時，門又即可關上。此時，門板彈簧張力剛剛合適。



第四步：洗碗碟機安裝步驟

詳細安裝步驟請參閱安裝圖。

1. 將冷凝帶粘附在櫥櫃工作檯面之下。請確保冷凝帶與工作檯面的邊緣齊平。
2. 將進水管連接到冷水供水處。
3. 連接排水軟管。
4. 連接電源線。
5. 將洗碗碟機置放到安裝位置。
6. 洗碗碟機放平。使用內六角扳手旋轉洗碗碟機底座中間的六角螺絲，可以從洗碗碟機的前部調整後邊食物。調整前腳時，則使用平頭螺絲刀轉動前腳，直到洗碗碟機處於水平位置。
7. 使用隨機支架將裝飾門板安裝到洗碗碟機的外門上。
8. 使用內六角扳手，順時針轉動來擰緊左右門板彈簧，調整門板彈簧張力。否則，會損壞洗碗碟機。洗碗碟機必須固定到位。以下兩種方法可以固定到位：
 - A. 一般工作檯面：將安裝鉤放入側面的插槽中，並用木螺絲將其固定到工作檯面。
 - B. 雲石或花崗岩工作檯面：用螺絲固定側面。

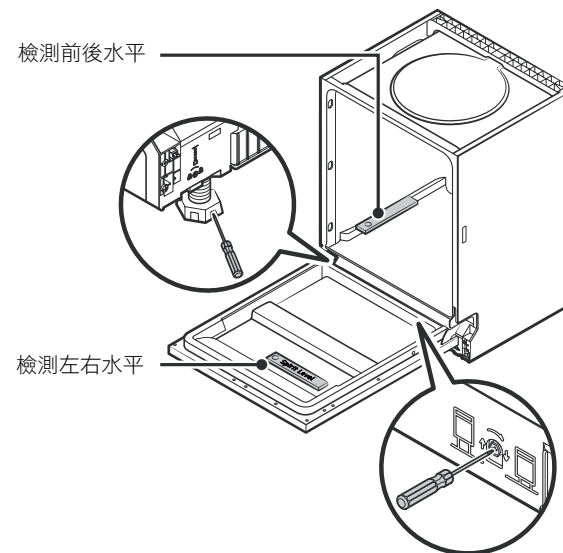


安裝說明

第五步：調節洗碗碟機水平

洗碗碟機必須保持水平位置，以讓洗滌工作正常運行，達到良好的洗滌效果。

1. 如圖所示，在洗碗碟機內門上放置水平儀，機內底部放置軌道，檢測洗碗碟機是否處於水平位置。
2. 通過分別調節三個調整腳使洗碗碟機處於水平位置。
3. 放平洗碗碟機時，請注意不要翻倒洗碗碟機。



注意：調整腳的最大調節高度為50mm。

常見故障及處理

請查閱本說明書中常見故障及處理的內容，以幫助您自己處理一些常見的故障。

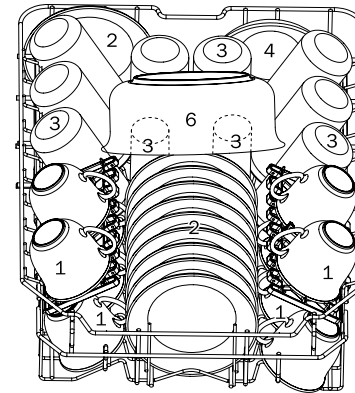
故障現象	可能原因	處理方法
洗碗碟機不運行	洗碗碟機不運行	確保門關好並鎖上
	未打開電源或未連接電線	確保電源線已經正確連接到插座上 參考“使用洗碗碟機”(65頁)
	預約開機功能啟動	
程式結束後洗碗碟機響起蜂鳴聲	蜂鳴聲表示程式結束	
助乾劑燈亮起	助乾劑用完	增加助乾劑用量
洗碗碟機運作時間過長	洗碗碟機連接至冷水管	檢查洗碗碟機有無正確連接至熱水管
	運行時間根據碗碟乾淨程度不同	當檢測到油污過多時，自動模式、標準模式、盤和鍋模式將自動延長運行時間
	選擇了清潔選項	選擇了清潔選項後，運行時間將延長以達到該程式的溫度要求
洗滌效果不理想	水壓暫時性偏低	待水壓正常時再使用洗碗碟機
	入水水溫低	確保已正確連接熱水管道。嘗試於洗碗碟機運行時，暫停使用屋內熱水
	碗碟放置過於密集 未使用合適的洗滌劑	按照說明書上重新擺放餐具 根據水質硬度及所選程式增加洗滌劑 更換洗滌劑
	未選擇合適的洗滌程式	選擇時間更長的洗滌程式
	噴淋臂堵塞	確保噴淋臂可自由旋轉
烘乾效果不理想	未填充洗滌劑艙	填充洗滌劑艙或增加助乾劑用量
	置放不正確	按照推薦的方向擺放餐具
	所選程式不能烘乾	選擇合適的洗滌程式
碗碟上有污點或表面覆蓋有薄膜	水質硬度過高	若水質過硬，建議安裝軟水器
	置放不正確	按照推薦的方向擺放餐具
	使用過多的助乾劑	使用新的助乾劑
	未填充助乾劑艙	填充助乾劑艙或增加助乾劑用量
洗滌劑殘留在洗滌劑艙中	使用過多洗滌劑	使用軟水時，減少洗滌劑用量
	入水溫度超過 70°C	降低入水溫度
洗滌劑艙未關好	洗滌劑放置時間太長	使用新的洗滌劑
	噴淋臂堵塞	檢查並確保噴淋臂無堵塞
洗碗碟機內有水未排出	未正確使用洗滌劑艙蓋	按照說明書中推薦的方法添加洗滌劑及助乾劑
洗碗碟機無法正常排水	上一個程式未完成或被中斷	按說明書選擇合適洗滌程式
	排水管堵塞	若機器型號配有氣隙，請檢查氣隙。若洗碗碟機與處置器相連，請確保處置器是空的
內膽有泡沫	排水管打結	確保排水管正確連接鋅盆
	使用不合適洗滌劑	確保只使用自動洗碗碟機洗滌劑

常見故障及處理

漏水	因使用不合適洗滌劑導致泡沫過多	確保使用合適的洗滌劑
	洗碗碟機不水平	調整水平
餐具上有黑灰色的污點	鋁製品和其他餐具發生了摩擦	重新放置餐具 確保入水硬度低於120H
內膽有污漬	咖啡或茶產生的污漬	使用推薦的污漬清洗劑去除污垢
	紅色污垢	部分有番茄成份的食物可導致該現象。放置餐具後，先運行沖洗程式可減少污垢
噪音	洗滌劑艙打開/排水泵運作聲音	屬正常現象
	硬物進入洗碗碟機；當物體被粉碎，噪音則會消失	若運行過程中持續產生噪音，請聯繫客戶服務中心
洗碗碟機不能進水	水閥未打開	檢查水閥是否打開
	門未鎖好	確保門已關好

依據EN50242標準裝載餐具籃

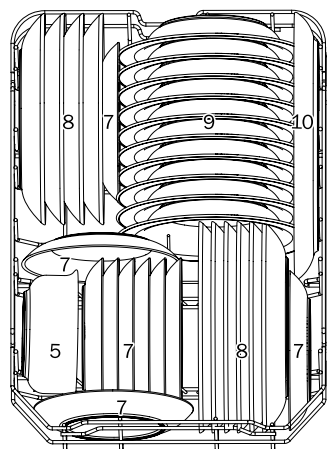
1. 上層餐具籃



編號	物件
1	杯子
2	淺杯
3	玻璃杯
4	小碗
5	中碗
6	大碗

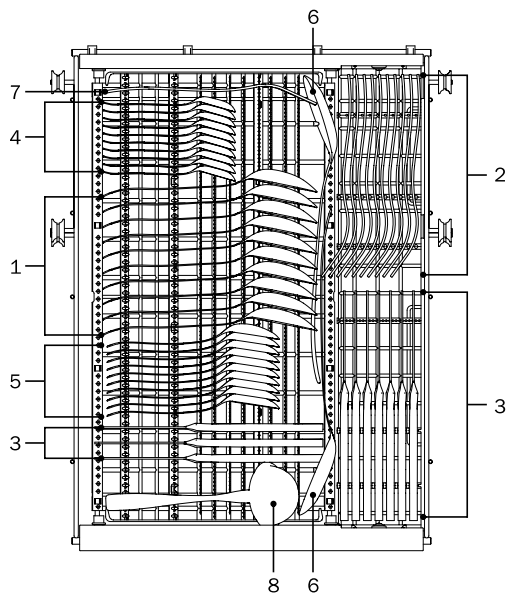
依據EN50242標準裝載餐具籃

2. 下層餐具籃



編號	物品
7	點心碟
8	餐碟
9	湯盤
10	橢圓形盤

3. 碗籃



編號	物品
1	湯匙
2	餐叉
3	餐刀
4	茶匙
5	甜品匙
6	分菜匙
7	沙律叉
8	肉汁匙

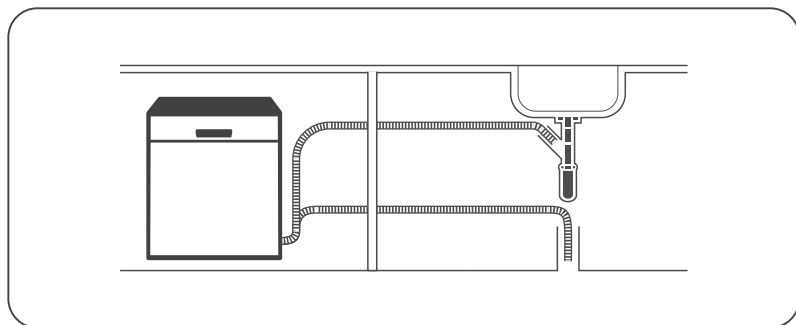
依據EN 50242標準進行的相容性測試資訊如下：
 餐具裝載容量：10套
 上層餐具籃位置：較低位置
 洗滌程式：節能
 助洗劑設置：6
 軟水器設置：H3

依據EN50242標準裝載餐具籃

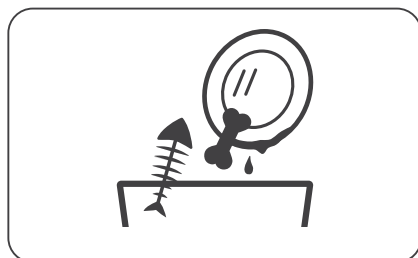
餐具架使用方法

	<p>向上提起左邊籃子，將其調整到較低位置，左邊籃子是平放的，右邊籃子傾斜。</p>
	<p>提起並平放左、右籃子。</p>
	<p>將右籃從右向左移動，兩個籃子重疊。</p>
	<p>從托盤中取出右籃，托盤只剩下左籃。</p>

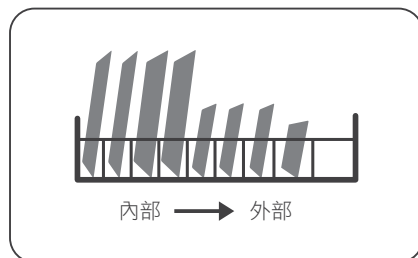
有關詳細操作，請閱讀說明手冊中的相應內容操作方法。



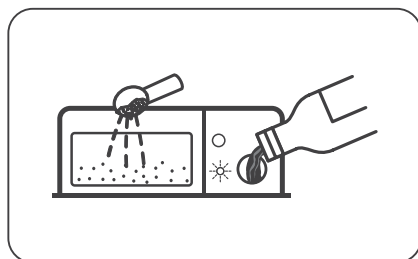
1. 安裝洗碗碟機
(請查看“安裝說明”)



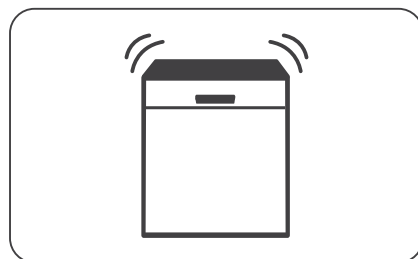
2. 去除餐具上較大的殘留物



3. 裝載籃子

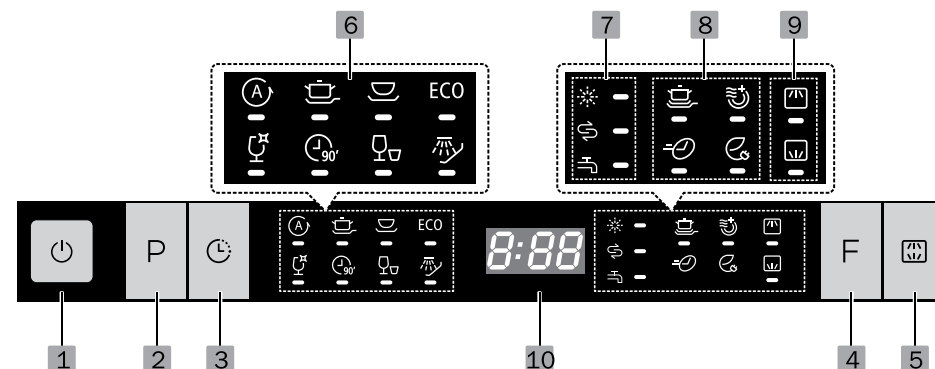


4. 填充洗滌劑艙



5. 選擇程序並運行洗碗碟機

控制面板





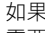
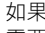
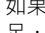
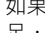
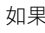
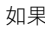


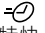






操作(按鈕)

1	電源	按此按鈕啟動洗碗碟機，屏幕亮起。
2	程式	按此按鈕選擇合適的洗滌程式，所選程式指示燈將點亮。
3	延遲	按此按鈕可設置延遲洗滌時間。您可以將洗滌延遲最多24小時才開始。按一下此按鈕可將洗滌開始時間延遲一小時。
4	功能	按按鈕選擇功能，相應的指示燈將亮起。
5	轉換	按按鈕選擇裝載上層餐具籃或下層餐具籃，相應指示燈 (☐) 將亮起。

指示燈

6	程式指示燈	Ⓐ 自動	適用於輕微、普通或嚴重髒污的餐具。
		☑ 特強	適用於嚴重髒污的餐具包括湯煲和平底鍋(乾掉的食物殘渣)。
		☑ 強	適用於嚴重髒污的餐具包括碟子、玻璃杯和和平底鍋。

6	程式指示燈	ECO ECO	此為標準程式，適用於一般髒污的餐具包括湯煲、碟子、玻璃杯和平底鍋。
		 玻璃杯	適用於輕度髒污的陶器和玻璃杯。
		 90 分鐘	適用於需要快速清洗的一般髒污的餐具。
		 快速	較短的洗滌，適用於不需要烘乾的輕微髒污餐具。
		 浸泡	適用於沖洗預備稍後時間才清洗的餐具。
7	警告指示燈	 助乾劑	如果“  ”指示燈亮起，則表示洗碗碟機助乾劑不足，需要重新灌裝。
		 專用鹽	如果“  ”指示燈亮起，則表示洗碗碟機的專用鹽不足，需要重新填充。
		 水龍頭	如果“  ”指示燈亮起，則表示水龍頭關閉。
8	功能指示燈	 強力清洗	適用於清洗很髒、難以清洗的餐具。（它只能用於自動、特強、強、ECO、玻璃杯、90分鐘程式。）
		 瀝水	更徹底地烘乾碗碟。（它只能用於自動、特強、強、ECO、玻璃杯、90分鐘程式。）
		 特快	縮短程式時間。
		 節能	當你洗的盤子較少時，你可以選擇節能功能。（它只能用於自動、特強、強、ECO、玻璃杯、90分鐘程式。）
9	指示燈	 上	選擇“上”時，僅上噴淋臂工作。下噴淋臂不工作。
		 下	選擇“下”時，僅下噴淋臂工作。上噴淋臂不工作。
10	屏幕	 屏幕	顯示提示時間、延遲時間、錯誤代碼等。

軟水器

必須使用水質硬度表手動設置軟水器。

水中的礦物質和鹽會對產品操作產生不利，而軟水器的用途是專門去除這些雜質。

礦物質越多，水質硬度就越高。

應根據您所在地區的水質硬度調整軟水器。

您當地的水務局可以告知您所在地區的水質硬度。

調整專用鹽的消耗量

洗碗機允許根據水質硬度調整專用鹽的消耗量，以優化其消耗水平。

請按照以下步驟調整鹽的消耗量。

1. 打開設備；
2. 按住程式按鈕超過5秒鐘來啟動軟水器，請在啟動後60秒內進行軟水器設置；
3. 按“程式”按鈕根據當地環境選擇正確的設置，設置將按以下順序更改：
H1 → H2 → H3 → H4 → H5 → H6
4. 按電源按鈕結束設置水質硬度。

水質硬度				軟水器級別	鹽消耗量 (克/週期)
德國°dH	法國°fH	英國°Clarke	Mmol/l		
0 - 5	0 - 9	0 - 6	0 - 0.94	H1	0
6 - 11	10 - 20	7 - 14	1.0 - 2.0	H2	9
12 - 17	21 - 30	15 - 21	2.1 - 3.0	H3	12
18 - 22	31 - 40	22 - 28	3.1 - 4.0	H4	20
23 - 34	41 - 60	29 - 42	4.1 - 6.0	H5	30
35 - 55	61 - 98	43 - 69	6.1 - 9.8	H6	60

1°dH=1.25°Clarke=1.78°fH=0.178mmol/l

原廠設置：H3

有關供水質硬度的信息，請聯繫當地水務局。

使用洗碗碟機

注意：

如果您的型號沒有任何軟水器，您可以跳過本節。

軟水器

水質硬度因地而異。如果在洗碗機中使用硬水，則會在餐具和餐具上形成水垢。本設備配有一個軟水器，它有一個特製的鹽容器可以專門消除水中的石灰和礦物質，軟化水質。

準備和裝載碗碟

- 建議購買可用洗碗碟機清洗的的餐具。
- 某些特定的餐具，請選擇溫度盡可能低的程式。
- 為防止損壞，請勿在程式結束後立即將玻璃杯和餐具從洗碗機中取出。

用於清洗以下餐具/餐具

不適合

- 餐具有木製，角瓷或珍珠貝母手柄
- 不耐熱的塑料製品
- 膠合部分不耐高溫的舊餐具
- 由多種物質黏合的餐具
- 錫和銅製品
- 水晶玻璃
- 易生鏽的鋼件
- 木製拼盤
- 由合成纖維製成的物品

適用性有限

- 某些玻璃在多次洗滌後可能會變鈍
- 銀和鋁部件在洗滌過程中容易變色
- 釉面圖案如經常洗滌可能會褪色

使用洗碗碟機

裝載洗碗碟機的建議

不必預先用水沖洗餐具，只需刮掉碟上大部分食物殘渣和浸軟鍋上的燒焦食物便可。為獲得洗碗機的最佳性能，請遵循以下裝載指南。

(籃子和餐具籃的特徵和外觀可能因您的型號而異。)

將物品放入洗碗碟機中，方法如下：

- 杯子、玻璃杯、鍋/平底鍋等物品面朝下。
- 彎曲的物品或帶有凹槽的物品應傾斜裝載，以便水可以流走。
- 所有器具都牢固堆放，不能翻倒。
- 所有器具的放置須允許噴淋臂在洗滌過程中可以自由旋轉。
- 裝入空心物品，如杯子、玻璃杯、平底鍋等。開口朝下，使水不會聚集在容器或深底座中。
- 餐具不得互相疊放或互相覆蓋。
- 為避免損壞，玻璃杯不應互相接觸。
- 上層餐具籃用於容納更精緻和更輕的餐具，如玻璃杯、咖啡杯和茶杯。
- 不可豎立放置長刃刀具，以免引起受傷。
- 長刀和/或尖銳的餐具如雕刻刀必須平放在上層餐具籃中。
- 請不要超載洗碗機。這對於良好的結果和合理的能量消耗很重要。

注意：

非常小的物品不應該在洗碗碟機中洗滌，因為它們很容易從籃子裡掉出來。

取出碗碟

為防止水從上層餐具籃滴入下層餐具籃，我們建議您首先清空下層餐具籃，然後清空上層餐具籃。



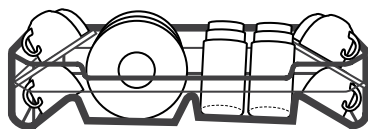
▲ 警告：

物品會很燙！為防止損壞，請勿在程式結束後約15分鐘將玻璃杯和餐具從洗碗碟機中取出。

使用洗碗碟機

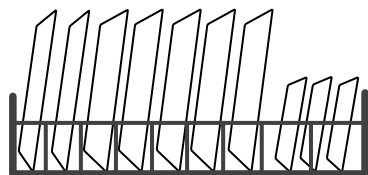
裝載上層餐具籃

上層餐具籃設計用於容納更精緻和更輕的餐具，如玻璃杯、咖啡和茶杯、碟子、盤子、小碗和淺盤（只要它們不太髒）。放置餐具和炊具，使其不會被水噴灑。



裝載下層餐具籃

我們建議您放置大件物品，並將最難清潔的物品放入下層餐具籃中：如鍋、平底鍋、蓋子、盤子和碗，如下圖所示。建議將餐具和蓋子放置在支架的側面上，以避免阻塞頂部噴淋臂的旋轉。建議放於洗滌劑分配器前面的碟子的最大直徑為19厘米，以免妨礙其打開。



裝入餐具籃

餐具應分開放置在餐具架中，並放在適當的位置，須確保餐具不會嵌套在一起，以免影響洗碗碟機運作。



警告：

不要讓任何物品穿過底部。放置鋒利器具時尖銳部分必須向下。

使用洗碗碟機

助乾劑和洗滌劑的功能

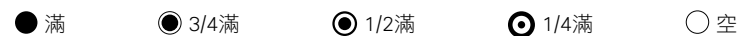
在最後沖洗過程中會釋出助乾劑，以防止水在餐具上形成水滴，這會留下斑點和條紋。助乾劑還會讓水從餐具上滾落，加快乾碟速度。本產品適合使用助乾劑。

警告：

僅使用助乾劑。切勿用任何其他物質（例如洗碗機清潔劑、液體洗滌劑）填充助乾劑艙。這會損壞設備。

何時重新填充助乾劑艙

除非控制面板上的助乾劑警告燈（※）亮起，否則您隨時可以根據蓋子旁邊的助乾劑水平指示燈的顏色來估算助乾劑水平。當助乾劑艙裝滿時，指示燈將完全變暗。隨著助乾劑減少，暗點的尺寸變小。你不應該讓助乾劑水平低於1/4滿。當助乾劑減少時，助乾劑水平指示燈上的暗點會改變大小，如下所示。




洗滌劑的功能

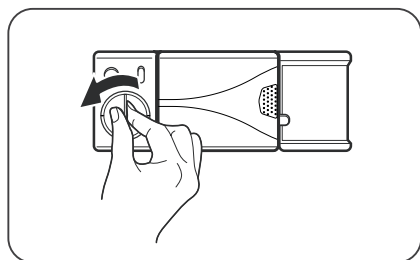
洗滌劑中的化學成分可以從洗碗機中清除、壓碎和排走所有污垢。大多數商業品牌的洗滌劑都適用於洗碗碟機。

警告：

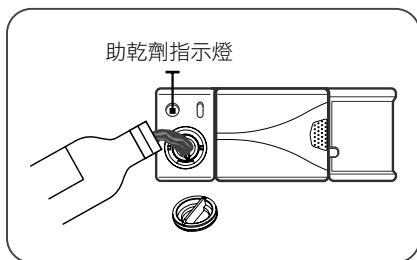
- 正確使用洗滌劑
僅使用專門用於洗碗機的洗滌劑。保持洗滌劑清爽和乾爽。在您準備洗碗之前，請勿將粉狀洗滌劑放入洗滌劑艙中。

-  洗碗機清潔劑具有腐蝕性！將洗碗機清潔劑放在兒童接觸不到的地方。

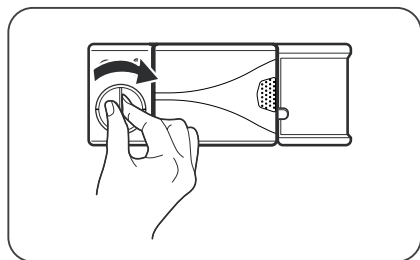
填充助乾劑艙



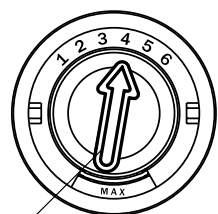
1. 逆時針旋轉，取下助乾劑艙蓋。



2. 將助乾劑倒入艙中，注意不要過量填充。



3. 順時針旋轉，關閉助乾劑艙蓋。

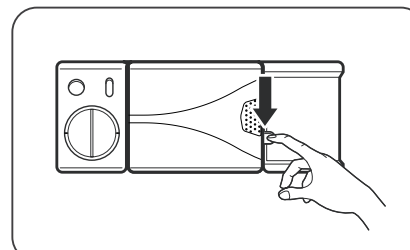


調節手柄 (沖洗)

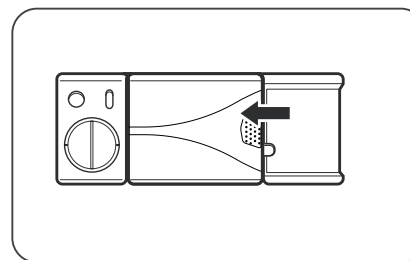
調整助乾劑艙

將助乾劑指示器撥盤轉到1到6之間的數字。數字越大，洗碗碟機使用的助乾劑就越多。如果餐具沒有正確烘乾或仍有水漬，請將撥盤調高一格，直到您的餐具沒有水漬。如果您的餐具上有粘性白色污漬或玻璃器皿、刀片上有藍色薄膜，請將助乾劑減少。

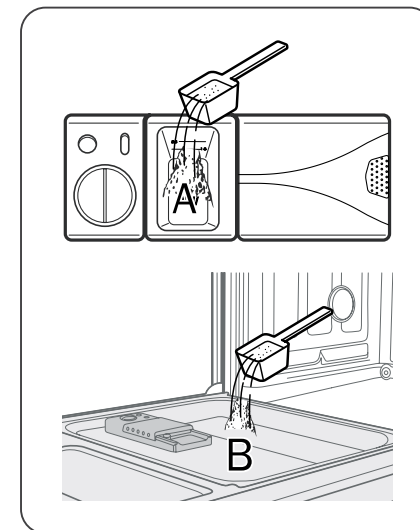
填充洗滌劑艙



1. 按下洗滌劑艙釋放卡扣打開洗滌劑艙蓋板。



3. 將蓋板向左滑動然後向下按，關閉蓋板。



2. 在較大的空腔 (A) 中加入洗滌劑進行主洗滌週期。為了獲得更好的清潔效果，特別是如果您有非常髒的物品，請在門上倒少量洗滌劑。額外的洗滌劑將在預洗階段期間活化。

注意：

請注意，根據水的污染，設置可能會有所不同。請遵守製造商有關洗滌劑包裝的建議。

設置洗碗碟機程式

洗滌週期表

下表顯示哪些程式最適合其上的食物殘渣水平以及需要多少洗滌劑。它還顯示有關程式的各種信息。

● 意思是：需要填充助乾劑艙。

程式	週期描述	洗滌劑前/主	運行時間 (分鐘)	能量 (kWh)	水 (公升) (L)	沖洗助劑
Ⓐ 自動	預洗 (45°C) 洗滌 (45-55°C) 沖洗 沖洗 (65°C) 瀝水	3/22g (1-2件)	150	0.9-1.3	9.5-13	●
☕ 特強	預洗 (50°C) 洗滌 (60°C) 沖洗 沖洗 (70°C) 瀝水	3/22g (1-2件)	170	1.4	15.5	●
☕ 強	預洗 (45°C) 洗滌 (55°C) 沖洗 沖洗 (65°C) 瀝水	3/22g (1-2件)	180	1.1	12	●
ECO (*EN 50242)	預洗 洗滌 (45°C) 沖洗 (58°C) 瀝水	3/22g (1-2件)	205	0.66	8	●
☕ 玻璃杯	預洗 洗滌 (40°C) 沖洗 沖洗 (60°C) 瀝水	3/22g (1件)	125	0.75	12	●
🕒 90 分鐘	洗滌 (65°C) 沖洗 沖洗 (65°C) 瀝水	25g (1件)	90	1.15	11.5	●
☕ 快速	洗滌 (45°C) 沖洗 (50°C) 沖洗 (55°C)	20g	30	0.7	10	○
☕ 浸泡	預洗	-	15	0.02	3.5	○

注意：

EN 50242：該程序是測試週期。符合EN 50242的可比性測試信息。

設置洗碗碟機程式

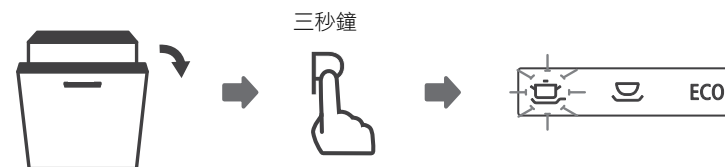
開始清洗週期

1. 拉出下層和上層餐具籃，裝入餐具並將其推回。建議首先加載下層餐具籃，然後加載上層餐具籃。
2. 倒入洗滌劑。
3. 將插頭插入插座。電源規格請參閱“技術規格”。確保供水已打開至全壓。
4. 打開門，觸摸電源按鈕。
5. 選擇一個程式，響應指示燈將亮起。然後關上門，清洗週期開始。

在週期中途改變程式

如果洗滌程式已經運行了一小段時間，則只能更換洗滌程式，否則洗滌劑可能已經被釋放並且洗碗碟機可能已經排出了洗滌水。如果是這種情況，則需要重置洗碗碟機並且必須重新填充洗滌劑艙。要重置洗碗碟機，請按照以下說明操作：

1. 稍微打開門可以停止洗碗碟機，噴淋臂停止工作後，可以完全打開門。
2. 按程式按鈕超過三秒鐘，機器將處於待機狀態。
3. 您可以將程式更改為所需的週期設置。

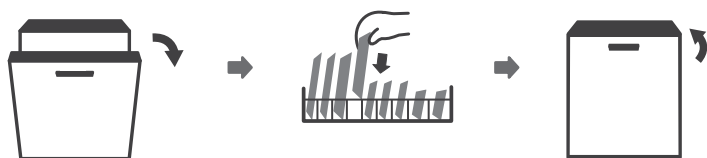


設置洗碗碟機程式

忘記添加一個餐具？

在洗滌劑艙打開之前的任何時候都可以添加一個被遺忘的餐具。如果是這種情況，請按照以下說明操作：

1. 稍稍打開門以停止洗滌。
2. 噴淋臂停止工作後，可以完全打開門。
3. 添加被遺忘的餐具。
4. 關上門。
5. 洗碗碟機將再次開始運轉。



警告：

在循環中期打開門很危險，因為熱蒸汽可能燙傷你。

錯誤代碼

如果洗碗碟機出現故障，可根據下表的錯誤代碼找出可能原因。

代碼	意思	可能原因
E1	進水時間更長。	水龍頭沒有打開，或者水的進水受到限制，或者水壓太低。
E3	未達到要求的溫度。	加熱元件故障。
E4	溢出。	洗碗碟機的一些元素洩漏。
E8	分流閥方向錯誤。	分流閥開路或斷路。
E9	按住按鈕超過30秒。	按鈕上有水或東西。

警告：

- 如果發生溢出，請在撥打服務前關閉主供水系統。
- 如果由於溢出或小洩漏而導致底盤中有水，則應在重新啟動洗碗碟機之前取出水。

技術規格

型號	DWH-221
額定電壓/頻率	220-240V / 50Hz
額定功率 (最大)	1930W
標準裝載容量	10
標準洗滌能耗 (每輪)	0.66kWh
標準洗滌耗水量 (每輪)	8L
能效等級 ¹	A+++
噪音等級	44dB(A)
產品尺寸	(H)815 (W)448 (D)550 mm
安裝尺寸	(H) ≥ 820 (W) ≥ 450 (D) ≥ 580 mm
淨重	39.5kg
總重連包裝	40.5kg

產品規格及設計如有變更，恕不另行通知。
中英文版本如有出入，一概以中文版為準。
本產品使用說明書以www.germanpool.com網上版為最新版本。

注意：

1. A+++ (最高能效等級) 至D (最低能效等級)

本機符合歐洲標準和交付時的最新版指令 (如果版本號不符合最新標準，請參閱最新版本號)：

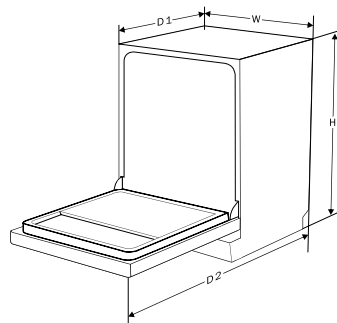
- LVD 2014/35/EU
- EMC 2014/30/EU
- ERP 2009/125/EC

以上資料已根據標準在規定的操作條件下進行測量。

根據餐具的數量和髒汙程度，水的硬度，洗滌劑的用量等因素，結果可能會有很大差異。

本說明書的以上注意事項基於歐盟的標準和規則。

高度 (H)	815mm
闊度 (W)	448mm
深度 (D1)	550mm (關閉)
深度 (D2)	1150mm (打開 90°)



保用條款

此保用提供德國寶產品之機件在正常使用下壹年保用 (自購買日起計算)。

* 貴戶須在購機十天內，以下列其中一種方式向本公司登記資料，保用手續方正式生效：

1) 填妥本公司網頁內之保用登記表格

www.germanpool.com/warranty

2) 填妥保用登記卡，郵寄至本公司。



Warranty Terms & Conditions

Under normal operations, the product will guarantee a 1-year full warranty provided by German Pool (effective from the date of purchase).

* This warranty is not valid until customer registration information is received by our Service Centre within 10 days of purchase via one of the following means:

1) Visit our website and register online:

www.germanpool.com/warranty

2) Complete all the fields on the attached Warranty Card and mail it back to our Customer Service Centre.



另請填妥以下表格並與正本發票一併保存，以便維修時核對資料。用戶提供之所有資料必須正確無誤，否則免費保用將會無效。 Please fill out the form below. This information and the original purchase invoice will be required for any repairs. Warranty will be invalidated if information provided is found to be inaccurate.

型號 Model No. : **DWH-221**

機身號碼 Serial No. : _____ 發票號碼 Invoice No. : _____

購買商號 Purchased From : _____ 購買日期 Purchase Date : _____

- 未能出示購買發票正本者，將不獲免費維修服務。
- 用戶應依照說明書的指示操作。本保用並不包括：
 - 上門安裝、檢驗、維修或更換零件之人工以及一切運輸費用；
 - 因天然與人為意外造成的損壞 (包括運輸及其他)；
 - 電源接合不當、不依說明書而錯誤或疏忽使用本機所引致之損壞。
- 於下列情況下，用戶之保用資格將被取消：
 - 購買發票有任何非認可之刪改；
 - 產品被用作商業或工業用途；
 - 產品經非認可之技術人員改裝或加裝任何配件；
 - 機身編號被擅自塗改、破壞或刪除。
- 總代理有權選擇維修或更換配件或其損壞部份。
- 產品一經被轉讓，其保用即被視作無效。

- Customer who fails to present original purchase invoice will not be eligible for free warranty service.
- Customer should always follow the operating instructions. This warranty does not apply to:
 - labour costs for on-site installation, check-up, repair, replacement of parts and other transportation costs;
 - damages caused by accidents of any kind (including material transfer and others);
 - operating failures resulting from applying incorrect voltage, improper usage, and unauthorized installations or repairs.
- This warranty is invalid if:
 - the purchase invoice is modified by an unauthorized party;
 - the product is used for any commercial or industrial purposes;
 - the product is repaired or modified by unauthorized personnel, or unauthorized parts are installed;
 - the serial number is modified, damaged or removed from the product.
- German Pool will, at its discretion, repair or replace any defective part.
- This warranty will be void if there is any transfer of ownership from the original purchaser.

客戶服務及維修中心

中國香港

九龍灣啟興道1-3號

九龍貨倉10樓

電話：+852 2333 6249

傳真：+852 2356 9798

電郵：repairs@germanpool.com

中國澳門

澳門俾利喇街145號

寶豐工業大廈3樓

電話：+853 2875 2699

傳真：+853 2875 2661

Customer Service & Repair Centre

Hong Kong, China

10/F, Kowloon Godown

1-3 Kai Hing Road, Kowloon Bay,

Kowloon, Hong Kong

Tel : +852 2333 6249

Fax : +852 2356 9798

Email : repairs@germanpool.com

Macau, China

3/F, Edificio Industrial Pou Fung,

145 Rua de Francisco Xavier Pereira,

Macau

Tel : +853 2875 2699

Fax : +853 2875 2661

此保用只適用於香港及澳門

This warranty is valid only in Hong Kong and Macau

German Pool (Hong Kong) Limited

Hong Kong, China

Room 113, Newport Centre Phase II, 116 Ma Tau
Kok Road, Tokwawan, Kowloon, Hong Kong.
Tel: +852 2773 2888
Fax: +852 2765 8215

Mainland China

8th, Xinxiang Road, Wusha Industrial Park,
Daliang, Shunde, Foshan, Guangdong
Tel: +86 757 2980 8308
Fax: +86 757 2980 8318

Macau, China

3/F, Edificio Industrial Pou Fung,
145 Rua de Francisco Xavier Pereira, Macau
Tel: +853 2875 2699
Fax: +853 2875 2661



香港《S MARK》
安全認證



中國櫥櫃/家電行業
十大影響力品牌



CEO非凡品牌大賞



香港優質商標



香港工商業獎



2007
最具潛質
創星品牌企業獎



香港中小企業
最佳成績大獎



HONG KONG
CONSUMER CHOICE
2007
香港消費者推崇品牌



香港《心嚮》
優質服務證書



香港名牌十年成就獎
HONG KONG TOP BRAND TEN YEAR
ACHIEVEMENT AWARD

© All rights reserved. Copying, reproducing or using the contents of this manual is not allowed without prior authorization from German Pool, violators will be prosecuted.